

106-2001 radiator valve push fit elbow

Application

Push fit elbows can be used in any 15mm compression joint.

They can be used with both straight or angled valves to change the direction of the supply pipe.

The 15mm push fit connection can be used with a wide range of pipe materials including copper, PEX and PB pipes.

15mm copper tube can be used without additional adaptors.

The push fit joint is easy to make and saves time during installation.

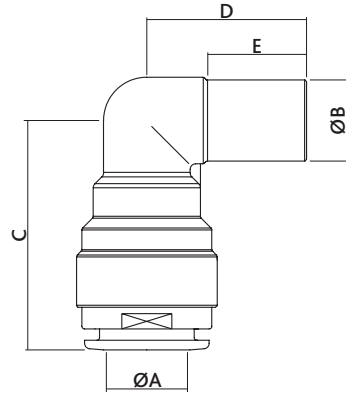
The 15mm copper tube can be hidden in the adjacent wall making a neat installation without the need to cut floors or floor coverings.

Design

The 106-2001 push fit elbows are supplied as a pair. Compliments the radiators valve with a chrome finish. Compact design.

The fitting is demountable allowing the pipe to be removed undamaged.

Dimensions



Ref No	ØA	ØB	C	D	E
106-2001	15	15	42.4	29.5	18.5

Technical Specification

Body material:	Brass BS EN 12165 CW617N
Seal:	EPDM
Max. working pressure:	10 bar
Temperature range:	5 to 100°C
Medium:	water, glycol solution
Max. percentage glycol:	30%

© Patents & Design Altecnic 2021

Altecnic Ltd retains all rights (including patents, designs and copyrights, trademarks and any other intellectual property rights) in relation to all information provided on or via the website, brochures or any other documents, including all texts, graphics and logos, contained on the website, in brochures or in any other documents published in the name of or on behalf of Altecnic Ltd in any form, without prior written consent of Altecnic Ltd.

Altecnic Ltd Mustang Drive, Stafford, Staffordshire ST16 1GW

T: +44 (0)1785 218200 E: sales@altecnic.co.uk

Registered in England No: 02095101

altecnic.co.uk

IOM 179 16-09-2021

E & O. E

© Altecnic Limited. 2021

ALTECNIC™

altecnic