

Multi model
application
Air Conditioning
Technical Data
4MXM-A9



4MXM68A2V1B9
4MXM80A2V1B9

TABLE OF CONTENTS

4MXM-A9

1	Features	4
	4MXM-A9	4
2	Specifications	5
3	Electrical data	7
4	Combination table	8
5	Capacity tables	19
	Capacity Table Legend	19
6	Dimensional drawings	20
7	Centre of gravity	21
8	Piping diagrams	22
9	Wiring diagrams	23
	Wiring Diagrams - Single Phase	23
10	Sound data	24
	Sound Pressure Spectrum	24
11	Operation range	25

1 Features

1 - 1 4MXM-A9

- › New design outlook for outdoor unit
- › Seasonal efficiency values up to A+++ in cooling and A++ in heating thanks to its up-to-date technology and built-in intelligence
- › Up to 4 indoor units can be connected to 1 multi outdoor unit; all indoor units are individually controllable and do not need to be installed in the same room or at the same time. They operate simultaneously within the same heating or cooling mode.
- › Choosing for an R-32 product, reduces the environmental impact with 68% compared to R-410A and leads directly to lower energy consumption thanks to its high energy efficiency
- › Different types of indoor units can be connected: e.g. wall mounted, ceiling mounted cassette corner, concealed ceiling unit
- › Outdoor units are fitted with a swing compressor, renowned for its low noise and high energy efficiency

1

Inverter

2 Specifications

2 - 1 Specifications

Technical specifications					4MXM68A9		4MXM80A9		
Casing	Colour				Ivory white				
Dimensions	Unit	Height	mm		734				
		Width	mm		974				
		Depth	mm		408				
	Packed unit	Height	mm		820				
		Width	mm		1,050				
Depth		mm		480					
Weight	Unit	kg		63	67				
	Packed unit	kg		68	73				
Heat exchanger	Length				920				
	Rows	Quantity			2				
	Fin pitch				1.40				
	Stages	Quantity			32				
	Passes	Quantity			6.00				
	Tube type				Hi-XA				
	Tube diameter				8.0	7.0			
	Fin	Type			WHS8 FIN-HYDROPHILIC				
	Treatment				Anti-corrosion treatment				
Heat exchanger 2	Quantity				-	1			
	Length				mm	-	650		
	Rows	Quantity			-	1			
	Fin pitch				mm	-	2		
	Stages	Quantity			-	12			
Fan	Type				Propeller fan				
	Discharge direction				Horizontal				
	Quantity				1				
	Air flow rate	Cooling	High	m ³ /min	46.5	49.1			
				cfm	1,642	1,734			
			Medium	m ³ /min	42.5	45.2			
		Low	High	m ³ /min	24.1	24.1			
			Medium	m ³ /min	851	851			
			Low	m ³ /min	43.8	47.8			
	Heating	High	m ³ /min	43.8	47.8				
cfm			1,547	1,688					
Medium		m ³ /min	43.8	43.9					
		cfm	1,547	1,550					
Fan	Air flow rate	Heating	Low	m ³ /min	24.1				
				cfm	851				
Fan motor	Quantity				1				
	Model				D55F-31	D90B-37			
	Output				W	55	128		
	Speed	Cooling	High	rpm	760	800			
				rpm	700	740			
			Low	rpm	420				
	Heating	High	rpm	720	780				
			rpm	420					
		Medium	rpm	720					
Compressor	Quantity				1				
	Model				2YC71DXD#C				
	Oil Amount				cm ³	900			
	Type				Hermetically sealed swing compressor				
	Output				W	2,400			
Oil Type				FW68DA					
Operation range	Cooling	Ambient	Min.	°CDB	-10				
			Max.	°CDB	46				
	Heating	Ambient	Min.	°CDB	-15				
			Max.	°CDB	24				
Sound power level	Heating	Nom.	dBA		61				
Sound pressure level	Cooling	Nom.	dBA		48				
	Heating	Nom.	dBA		49				
Refrigerant	Type				R-32				
	Charge				kg	2.00	2.40		
	Control				Expansion valve				
	GWP				675				

2 Specifications

2 - 1 Specifications

2

Technical specifications				4MXM68A9	4MXM80A9	
Piping connections	Liquid	Quantity		4		
		OD	mm	6.35		
	Gas	Quantity		2	1	
		OD	mm	9.5		
	Drain	Quantity		1		
		OD	mm	16 (inner diameter of connecting hose)		
	Gas 2	Quantity		2	1	
		OD	mm	12.7		
	Gas 3	Quantity		-	2	
		OD	mm	-	15.9	
Piping connections	Piping length	OU - IU	Min.	3 (1)		
			Max.	25 (1)		
		System	Chargeless	30		
	Additional refrigerant charge			0.02 (for piping length exceeding 30m)		
	Level difference	IU - OU	Max.	15		
		IU - IU		7.5		
	Heat insulation			Both liquid and gas pipes		
	Total piping length	System	Actual	60	70	
					Variable (inverter)	
	Capacity control	Method			Variable (inverter)	

Standard accessories: Installation manual;Quantity: 1;

Standard accessories: Screw bag;Quantity: 1;

Standard accessories: Drain plug;Quantity: 1;

Standard accessories: Reducer assembly;Quantity: 1;

Standard accessories: Drain cap (1);Quantity: 6;

Standard accessories: Drain cap (2);Quantity: 3;

Electrical specifications				4MXM68A9	4MXM80A9
Power supply	Phase			1~	
	Frequency		Hz	50	
	Voltage		V	220-240	
Wiring connections	For power supply	Quantity		3	
		Remark		Earth wire included	
	For connection with indoor	Quantity		4	
		Remark		Earth wire included	
Current - 50Hz	Maximum fuse amps (MFA)		A	20	25

(1)For one room |

For combination with CVXM-A, FVXM-A - maximum piping length is 30m. |

See separate drawing for operation range |

See separate drawing for electrical data |

Contains fluorinated greenhouse gases

3 Electrical data

3 - 1 Electrical Data

2MXM68A9
3MXM-A9
4MXM-A9
5MXM-A9

3

Outdoor unit	Power supply			·RA· indoor units (-10% safety factor)		Other indoor units (-10% safety factor)		Compressor		Outdoor fan motor	
	Hz	Voltage	Voltage range	MCA	MFA	MCA	MFA	RHz	RLA	kW	FLA
2MXM68N2V1B 2MXM68A2V1B 2MXM68A2V1B9	50	220	Maximum ·50-Hz ·264-V	16,94	20	19,80	20	-	7,8	0,056	0,37
	50	230							7,5		
	50	240	Minimum ·50-Hz ·198-V						8,7		
3MXM40N2V1B9	50	220	Maximum ·50-Hz ·264-V	14,31	16	15,97	16	-	2,9	0,056	0,37
	50	230							3,0		
	50	240	Minimum ·50-Hz ·198-V						3,1		
3MXM52N2V1B9	50	220	Maximum ·50-Hz ·264-V	14,59	20	16,27	20	-	4,5	0,056	0,37
	50	230							4,7		
	50	240	Minimum ·50-Hz ·198-V						4,9		
3MXM68N2V1B9 3MXM68A2V1B 3MXM68A2V1B9	50	220	Maximum ·50-Hz ·264-V	17,19	20	19,81	20	-	8,0	0,056	0,37
	50	230							8,4		
	50	240	Minimum ·50-Hz ·198-V						8,7		
4MXM68N2V1B9 4MXM68A2V1B 4MXM68A2V1B9	50	220	Maximum ·50-Hz ·264-V	17,36	20	19,81	20	-	7,0	0,056	0,37
	50	230							7,3		
	50	240	Minimum ·50-Hz ·198-V						7,6		
4MXM80N2V1B9 4MXM80A2V1B 4MXM80A2V1B9	50	220	Maximum ·50-Hz ·264-V	17,04	25	20,36	25	-	8,5	0,075	0,50
	50	230							8,9		
	50	240	Minimum ·50-Hz ·198-V						9,3		
5MXM90N2V1B9 5MXM90A2V1B 5MXM90A2V1B9	50	220	Maximum ·50-Hz ·264-V	21,70	32	25,88	32	-	9,2	0,075	0,50
	50	230							9,6		
	50	240	Minimum ·50-Hz ·198-V						10,0		
3AMXM52N2V1B9	50	220	Maximum ·50-Hz ·264-V	18,19	20	16,27	20	-	4,5	0,056	0,37
	50	230							4,7		
	50	240	Minimum ·50-Hz ·198-V						4,9		
3MXF52A2V1B9	50	220	Maximum ·50-Hz ·264-V	14,59	20	16,27	20	-	4,5	0,056	0,37
	50	230							4,7		
	50	240	Minimum ·50-Hz ·198-V						4,9		
3AMXF52A2V1B9	50	220	Maximum ·50-Hz ·264-V	14,59	20	16,27	20	-	4,5	0,056	0,37
	50	230							4,7		
	50	240	Minimum ·50-Hz ·198-V						4,9		
3MXF68A2V1B9	50	220	Maximum ·50-Hz ·264-V	17,19	20	19,81	20	-	8,0	0,056	0,37
	50	230							8,4		
	50	240	Minimum ·50-Hz ·198-V						8,7		
3MXM40N2V1B8 3MXM40A2V1B 3MXM40A2V1B9	50	220	Maximum ·50-Hz ·264-V	14,31	16	15,97	16	-	2,9	0,056	0,37
	50	230							3,0		
	50	240	Minimum ·50-Hz ·198-V						3,1		
3MXM52N2V1B8 3MXM52A2V1B 3MXM52A2V1B9	50	220	Maximum ·50-Hz ·264-V	14,59	20	16,27	20	-	4,5	0,056	0,37
	50	230							4,7		
	50	240	Minimum ·50-Hz ·198-V						4,9		

Notes

- 1) The ·RLA· is based on the following conditions.
 Outdoor temperature :35°C DB
 Indoor temperature :27°C DB / :19°C WB
- 2) Select the wire size according to the MCA.
- 3) The maximum allowable voltage that is unbalanced between phases is :2%.
- 4) Use a circuit breaker instead of a fuse.
- 5) Only for wall-mounted ·FVXM· units

Symbols

- MCA: Minimum Circuit Ampere [A]
 MFA: Maximum Fuse Ampere [A]
 RLA: Rated load amps [A]
 OFM: Outdoor fan motor
 MSC: Maximum starting current
 FLA: Full Load Ampere [A]
 kW: Fan motor rated output [kW]

3D129421D

4 Combination table

4 - 1 Combination Table

4MXM68A9

Cooling · 230V 50Hz·

Outdoor unit	Indoor unit	Cooling capacity [kW]				Total capacity [kW]			Power input [kW]			Total current [A]			Power factor [%]
		Room -A-	Room -B-	Room -C-	Room -D-	Minimum	Nominal	Maximum	Minimum	Nominal	Maximum	Minimum	Nominal	Maximum	
	1.5	1.60	-	-	-	1.57	1.60	2.49	0.40	0.42	0.59	1.82	1.98	2.71	95
	2.0	2.00	-	-	-	1.65	2.00	3.00	0.42	0.43	0.67	1.91	2.08	3.08	95
	2.5	2.50	-	-	-	1.74	2.50	3.44	0.44	0.44	0.82	2.00	2.62	3.77	95
	3.5	3.50	-	-	-	1.93	3.50	4.86	0.46	0.46	1.43	2.09	3.84	6.53	95
	4.2	4.20	-	-	-	1.93	4.20	5.33	0.46	0.46	1.43	2.09	3.93	6.56	95
	5.0	5.00	-	-	-	1.94	5.00	6.03	0.44	0.44	2.13	2.00	7.20	9.77	95
	6.0	6.00	-	-	-	1.94	6.00	6.51	0.44	0.44	2.13	2.00	7.29	9.77	95
	1.5+1.5	1.50	1.50	-	-	1.95	3.00	4.79	0.40	0.51	1.15	1.81	2.34	5.25	95
	1.5+2.0	1.50	2.00	-	-	1.95	3.50	4.96	0.40	0.62	1.22	1.81	2.84	5.58	95
	1.5+2.5	1.50	2.50	-	-	1.95	4.00	5.28	0.40	0.75	1.36	1.81	3.44	6.23	95
	1.5+3.5	1.50	3.50	-	-	1.95	5.00	6.17	0.39	1.04	1.83	1.77	4.76	8.39	95
	1.5+4.2	1.50	4.20	-	-	1.95	5.70	6.39	0.39	1.27	1.96	1.77	5.82	8.97	95
	1.5+5.0	1.50	5.00	-	-	1.95	6.50	7.08	0.38	1.50	2.23	1.73	6.87	10.22	95
	1.5+6.0	1.36	5.44	-	-	1.96	6.80	7.59	0.37	1.62	2.36	1.68	7.42	10.79	95
	2.0+2.0	2.00	2.00	-	-	1.95	4.00	5.12	0.40	0.75	1.29	1.81	3.44	5.91	95
	2.0+2.5	2.00	2.50	-	-	1.95	4.50	5.44	0.40	0.89	1.43	1.81	4.08	6.56	95
	2.0+3.5	2.00	3.50	-	-	1.95	5.50	6.30	0.39	1.17	1.91	1.77	5.36	8.76	95
	2.0+4.2	2.00	4.20	-	-	1.95	6.20	6.51	0.39	1.43	2.05	1.77	6.55	9.37	95
	2.0+5.0	1.94	4.86	-	-	1.95	6.80	7.26	0.38	1.59	2.36	1.73	7.28	10.79	95
	2.0+6.0	1.70	5.10	-	-	1.96	6.80	7.71	0.37	1.61	2.45	1.68	7.37	11.20	95
	2.5+2.5	2.50	2.50	-	-	1.95	5.00	6.10	0.41	1.01	1.78	1.89	4.63	8.15	95
	2.5+3.5	2.50	3.50	-	-	1.95	6.00	6.57	0.40	1.29	2.11	1.81	5.91	9.65	95
	2.5+4.2	2.50	4.20	-	-	1.95	6.70	6.95	0.40	1.51	2.38	1.81	6.92	10.88	95
	2.5+5.0	2.27	4.53	-	-	1.95	6.80	7.37	0.37	1.50	2.45	1.68	6.87	11.20	95
	2.5+6.0	2.00	4.80	-	-	1.96	6.80	7.71	0.35	1.48	2.45	1.60	6.78	11.20	95
	3.5+3.5	3.40	3.40	-	-	1.95	6.80	7.13	0.38	1.45	2.37	1.73	6.64	10.83	95
	3.5+4.2	3.09	3.71	-	-	1.95	6.80	7.24	0.38	1.45	2.46	1.73	6.64	11.24	95
	3.5+5.0	2.80	4.00	-	-	1.95	6.80	7.76	0.35	1.42	2.78	1.60	6.50	12.71	95
	3.5+6.0	2.51	4.29	-	-	2.26	6.80	8.07	0.40	1.40	2.72	1.81	6.41	12.46	95
	4.2+4.2	3.40	3.40	-	-	1.95	6.80	7.14	0.38	1.44	2.37	1.73	6.60	10.83	95
	4.2+5.0	3.10	3.70	-	-	1.95	6.80	7.77	0.35	1.41	2.78	1.60	6.46	12.71	95
	4.2+6.0	2.80	4.00	-	-	2.26	6.80	8.08	0.40	1.40	2.72	1.81	6.41	12.46	95
	5.0+5.0	3.40	3.40	-	-	2.34	6.80	8.22	0.43	1.38	2.98	1.98	6.32	13.65	95
	5.0+6.0	3.09	3.71	-	-	2.47	6.80	8.45	0.44	1.37	2.92	2.02	6.28	13.36	95
	1.5+1.5+1.5	1.50	1.50	1.50	-	1.96	4.50	6.40	0.39	0.61	1.57	1.77	2.80	7.17	95
	1.5+1.5+2.0	1.44	1.44	1.92	-	1.96	4.80	6.56	0.39	0.70	1.65	1.77	3.21	7.54	95
	1.5+1.5+2.5	1.42	1.42	2.36	-	1.96	5.20	6.72	0.39	0.83	1.73	1.77	3.81	7.90	95
	1.5+1.5+3.5	1.50	1.50	3.50	-	1.96	6.50	7.11	0.38	1.56	1.92	1.73	7.14	8.80	95
	1.5+1.5+4.2	1.42	1.42	3.97	-	1.96	6.80	7.33	0.38	1.80	2.05	1.73	8.24	9.37	95
	1.5+1.5+5.0	1.28	1.28	4.25	-	1.96	6.80	7.74	0.36	1.75	2.22	1.64	8.01	10.14	95
	1.5+1.5+6.0	1.13	1.13	4.53	-	2.31	6.80	7.99	0.40	1.73	2.17	1.85	7.92	9.94	95
	1.5+2.0+2.0	1.50	2.00	2.00	-	1.96	5.50	6.48	0.39	1.01	1.61	1.77	4.63	7.38	95
	1.5+2.0+2.5	1.50	2.00	2.50	-	1.96	6.00	6.87	0.39	1.32	1.81	1.77	6.05	8.26	95
	1.5+2.0+3.5	1.46	1.94	3.40	-	1.96	6.80	7.25	0.38	1.80	2.01	1.73	8.24	9.21	95
4MXM68N2V1B	1.5+2.0+4.2	1.32	1.77	3.71	-	1.96	6.80	7.47	0.38	1.79	2.14	1.73	8.20	9.78	95
4MXM68N2V1B9	1.5+2.0+5.0	1.20	1.60	4.00	-	1.96	6.80	7.87	0.36	1.74	2.31	1.64	7.97	10.55	95
4MXM68A2V1B	1.5+2.0+6.0	1.07	1.43	4.29	-	2.31	6.80	8.13	0.40	1.72	2.26	1.85	7.88	10.35	95
4MXM68A2V1B9	1.5+2.5+2.5	1.50	2.50	2.50	-	1.96	6.50	7.10	0.38	1.63	1.92	1.73	7.46	8.80	95
	1.5+2.5+3.5	1.36	2.27	3.17	-	1.96	6.80	7.60	0.36	1.79	2.23	1.64	8.20	10.18	95
	1.5+2.5+4.2	1.24	2.07	3.48	-	1.96	6.80	7.81	0.36	1.78	2.35	1.64	8.15	10.75	95
	1.5+2.5+5.0	1.13	1.89	3.78	-	1.96	6.80	7.95	0.36	1.74	2.35	1.64	7.97	10.75	95
	1.5+2.5+6.0	1.02	1.70	4.08	-	2.31	6.80	8.42	0.41	1.71	2.44	1.89	7.83	11.16	95
	1.5+3.5+3.5	1.20	2.80	2.80	-	1.96	6.80	7.94	0.37	1.77	2.45	1.68	8.11	11.20	95
	1.5+3.5+4.2	1.11	2.59	3.10	-	1.96	6.80	8.13	0.37	1.76	2.58	1.68	8.06	11.81	95
	1.5+3.5+5.0	1.02	2.38	3.40	-	1.96	6.80	8.46	0.33	1.72	2.72	1.52	7.88	12.46	95
	1.5+3.5+6.0	0.93	2.16	3.71	-	2.31	6.80	8.56	0.41	1.70	2.53	1.89	7.79	11.57	95
	1.5+4.2+4.2	1.03	2.88	2.88	-	1.96	6.80	8.26	0.37	1.75	2.68	1.68	8.01	12.26	95
	1.5+4.2+5.0	0.95	2.67	3.18	-	1.96	6.80	8.53	0.33	1.71	2.77	1.52	7.83	12.67	95
	2.0+2.0+2.0	2.00	2.00	2.00	-	1.96	6.00	6.64	0.39	1.34	1.68	1.77	6.14	7.70	95
	2.0+2.0+2.5	2.00	2.00	2.50	-	1.96	6.50	7.03	0.39	1.63	1.89	1.77	7.46	8.64	95
	2.0+2.0+3.5	1.81	1.81	3.17	-	1.96	6.80	7.40	0.38	1.79	2.09	1.73	8.20	9.57	95
	2.0+2.0+4.2	1.66	1.66	3.48	-	1.96	6.80	7.61	0.38	1.78	2.23	1.73	8.15	10.18	95
	2.0+2.0+5.0	1.51	1.51	3.78	-	1.96	6.80	8.01	0.36	1.74	2.39	1.64	7.97	10.96	95
	2.0+2.0+6.0	1.36	1.36	4.08	-	2.31	6.80	8.27	0.40	1.71	2.35	1.85	7.83	10.75	95
	2.0+2.5+2.5	1.94	2.43	2.43	-	1.96	6.80	7.24	0.38	1.77	2.01	1.73	8.11	9.21	95
	2.0+2.5+3.5	1.70	2.13	2.98	-	1.96	6.80	7.74	0.36	1.76	2.31	1.64	8.06	10.55	95
	2.0+2.5+4.2	1.56	1.95	3.28	-	1.96	6.80	7.94	0.36	1.75	2.45	1.64	8.01	11.20	95
	2.0+2.5+5.0	1.43	1.79	3.58	-	1.96	6.80	8.08	0.36	1.71	2.44	1.64	7.83	11.16	95
	2.0+2.5+6.0	1.30	1.62	3.89	-	2.31	6.80	8.55	0.41	1.69	2.53	1.89	7.74	11.57	95
	2.0+3.5+3.5	1.51	2.64	2.64	-	1.96	6.80	8.07	0.37	1.74	2.54	1.68	7.97	11.61	95
	2.0+3.5+4.2	1.40	2.45	2.94	-	1.96	6.80	8.25	0.37	1.74	2.68	1.68	7.97	12.26	95
	2.0+3.5+5.0	1.30	2.27	3.24	-	2.28	6.80	8.58	0.40	1.69	2.82	1.85	7.74	12.91	95
	2.0+4.2+4.2	1.31	2.75	2.75	-	1.96	6.80	8.37	0.37	1.73	2.77	1.68	7.92	12.67	95
	2.5+2.5+2.5	2.27	2.27	2.27	-	1.96	6.80	7.53	0.38	1.76	2.18	1.73	8.06	9.98	95
	2.5+2.5+3.5	2.00	2.00	2.80	-	1.96	6.80	7.94	0.36	1.72	2.45	1.64	7.88	11.20	95
	2.5+2.5+4.2	1.85	1.85	3.10	-	1.96	6.80	8.12	0.36	1.71	2.58	1.64	7.83	11.81	95
	2.5+2.5+5.0	1.70	1.70	3.40	-	2.28	6.80	8.45	0.40	1.67	2.72	1.85	7.65	12.46	95
	2.5+2.5+6.0	1.55	1.55	3.71	-	2.42	6.80	8.74	0.40	1.65	2.67	1.85	7.56	12.22	95
	2.5+3.5+3.5	1.79	2.51	2.51	-	2.27	6.80	8.30	0.40	1.70	2.72	1.85	7.79	12.46	95
	2.5+3.5+4.2	1.67	2.33	2.80	-	2.27	6.80	8.43	0.40	1.69	2.82	1.85	7.74	12.91	95
	2.5+3.5+5.0	1.55	2.16	3.09	-	2.48	6.80	8.74	0.42	1.65	2.96	1.94	7.56	13.56	95
	2.5+4.2+4.2	1.56	2.62	2.62	-	2.27	6.80	8.49	0.40	1.68	2.87	1.85	7.69	13.12	95

4D139810B

4 Combination table

4 - 1 Combination Table

4MXM68A9

Cooling · 230V 50Hz·

Outdoor unit	Indoor unit	Cooling capacity [kW]				Total capacity [kW]			Power input [kW]			Total current [A]			Power factor [%]
		Room -A-	Room -B-	Room -C-	Room -D-	Minimum	Nominal	Maximum	Minimum	Nominal	Maximum	Minimum	Nominal	Maximum	
4MXM68N2V1B 4MXM68N2V1B9 4MXM68A2V1B 4MXM68A2V1B9	3.5+3.5+3.5	2,27	2,27	2,27	-	2,38	6,80	8,59	0,40	1,68	2,96	1,81	7,69	13,56	95
	1.5+1.5+1.5+1.5	1,65	1,65	1,65	1,65	1,97	6,60	7,02	0,38	1,38	1,61	1,73	6,32	7,38	95
	1.5+1.5+1.5+2.0	1,52	1,52	1,52	2,03	1,97	6,60	7,22	0,38	1,37	1,69	1,73	6,28	7,72	95
	1.5+1.5+1.5+2.5	1,41	1,41	1,41	2,36	1,97	6,60	7,45	0,36	1,35	1,78	1,64	6,18	8,15	95
	1.5+1.5+1.5+3.5	1,28	1,28	1,28	2,98	1,97	6,80	7,87	0,37	1,58	1,99	1,68	7,24	9,12	95
	1.5+1.5+1.5+4.2	1,17	1,17	1,17	3,28	1,97	6,80	8,04	0,37	1,58	2,07	1,68	7,24	9,49	95
	1.5+1.5+1.5+5.0	1,07	1,07	1,07	3,58	2,45	6,80	8,28	0,42	1,54	2,27	1,94	7,05	10,39	95
	1.5+1.5+1.5+6.0	0,97	0,97	0,97	3,89	2,48	6,80	8,38	0,40	1,52	2,08	1,81	6,96	9,53	95
	1.5+1.5+2.0+2.0	1,46	1,46	1,94	1,94	1,97	6,80	7,45	0,38	1,60	1,78	1,73	7,33	8,15	95
	1.5+1.5+2.0+2.5	1,36	1,36	1,81	2,27	1,97	6,80	7,62	0,36	1,58	1,87	1,64	7,24	8,55	95
	1.5+1.5+2.0+3.5	1,20	1,20	1,60	2,80	1,97	6,80	8,03	0,37	1,57	2,07	1,68	7,19	9,49	95
	1.5+1.5+2.0+4.2	1,11	1,11	1,48	3,10	1,97	6,80	8,19	0,37	1,56	2,16	1,68	7,14	9,90	95
	1.5+1.5+2.0+5.0	1,02	1,02	1,36	3,40	2,45	6,80	8,43	0,42	1,53	2,36	1,94	7,01	10,78	95
	1.5+1.5+2.0+6.0	0,93	0,93	1,24	3,71	2,48	6,80	8,56	0,40	1,51	2,18	1,81	6,92	9,98	95
	1.5+1.5+2.5+2.5	1,28	1,28	2,13	2,13	1,97	6,80	7,70	0,36	1,58	1,90	1,64	7,24	8,72	95
	1.5+1.5+2.5+3.5	1,13	1,13	1,89	2,64	2,32	6,80	8,11	0,46	1,56	2,12	2,11	7,14	9,69	95
	1.5+1.5+2.5+4.2	1,05	1,05	1,75	2,94	2,32	6,80	8,27	0,46	1,55	2,21	2,11	7,10	10,10	95
	1.5+1.5+2.5+5.0	0,97	0,97	1,62	3,24	2,45	6,80	8,70	0,42	1,52	2,46	1,94	6,96	11,24	95
	1.5+1.5+3.5+3.5	1,02	1,02	2,38	2,38	2,32	6,80	8,57	0,46	1,55	2,39	2,11	7,10	10,92	95
	1.5+1.5+3.5+4.2	0,95	0,95	2,22	2,67	2,44	6,80	8,65	0,50	1,54	2,44	2,27	7,05	11,16	95
	1.5+2.0+2.0+2.0	1,36	1,81	1,81	1,81	1,97	6,80	7,61	0,38	1,59	1,87	1,73	7,28	8,55	95
	1.5+2.0+2.0+2.5	1,28	1,70	1,70	2,13	1,97	6,80	7,78	0,36	1,58	1,95	1,64	7,24	8,92	95
	1.5+2.0+2.0+3.5	1,13	1,51	1,51	2,64	2,32	6,80	8,18	0,46	1,57	2,16	2,11	7,19	9,90	95
	1.5+2.0+2.0+4.2	1,05	1,40	1,40	2,94	2,32	6,80	8,34	0,46	1,56	2,25	2,11	7,14	10,31	95
	1.5+2.0+2.0+5.0	0,97	1,30	1,30	3,24	2,45	6,80	8,77	0,42	1,53	2,51	1,94	7,01	11,49	95
	1.5+2.0+2.5+2.5	1,20	1,60	2,00	2,00	1,97	6,80	7,86	0,36	1,58	1,99	1,64	7,24	9,12	95
	1.5+2.0+2.5+3.5	1,07	1,43	1,79	2,51	2,32	6,80	8,26	0,46	1,56	2,21	2,11	7,14	10,10	95
	1.5+2.0+2.5+4.2	1,00	1,33	1,67	2,80	2,32	6,80	8,43	0,46	1,55	2,30	2,11	7,10	10,51	95
	1.5+2.0+2.5+5.0	0,93	1,24	1,55	3,09	2,45	6,80	8,85	0,42	1,52	2,55	1,94	6,96	11,69	95
	1.5+2.0+3.5+3.5	0,97	1,30	2,27	2,27	1,98	6,80	8,64	0,37	1,55	2,44	1,68	7,10	11,16	95
	1.5+2.5+2.5+2.5	1,13	1,89	1,89	1,89	1,97	6,80	8,18	0,33	1,57	2,16	1,52	7,19	9,90	95
	1.5+2.5+2.5+3.5	1,02	1,70	1,70	2,38	2,32	6,80	8,49	0,40	1,55	2,34	1,81	7,10	10,71	95
	1.5+2.5+2.5+4.2	0,95	1,59	1,59	2,67	2,32	6,80	8,50	0,41	1,55	2,34	1,89	7,10	10,71	95
	1.5+2.5+3.5+3.5	0,93	1,55	2,16	2,16	2,32	6,80	8,71	0,40	1,54	2,48	1,81	7,05	11,36	95
	2.0+2.0+2.0+2.0	1,70	1,70	1,70	1,70	1,97	6,80	7,78	0,38	1,58	1,95	1,73	7,24	8,92	95
	2.0+2.0+2.0+2.5	1,60	1,60	1,60	2,00	1,97	6,80	7,95	0,36	1,58	2,04	1,64	7,24	9,33	95
	2.0+2.0+2.0+3.5	1,43	1,43	1,43	2,51	1,97	6,80	8,33	0,37	1,56	2,25	1,68	7,14	10,31	95
	2.0+2.0+2.0+4.2	1,33	1,33	1,33	2,80	1,97	6,80	8,49	0,37	1,55	2,34	1,68	7,10	10,71	95
	2.0+2.0+2.0+5.0	1,24	1,24	1,24	3,09	2,45	6,80	8,91	0,42	1,52	2,61	1,94	6,96	11,93	95
	2.0+2.0+2.5+2.5	1,51	1,51	1,89	1,89	1,97	6,80	8,10	0,37	1,57	2,12	1,68	7,19	9,69	95
	2.0+2.0+2.5+3.5	1,36	1,36	1,70	2,38	2,32	6,80	8,49	0,41	1,55	2,34	1,89	7,10	10,71	95
	2.0+2.0+2.5+4.2	1,27	1,27	1,59	2,67	2,32	6,80	8,64	0,41	1,55	2,44	1,89	7,10	11,16	95
	2.0+2.0+3.5+3.5	1,24	1,24	2,16	2,16	2,44	6,80	8,78	0,41	1,55	2,53	1,89	7,10	11,57	95
	2.0+2.5+2.5+2.5	1,43	1,79	1,79	1,79	1,97	6,80	8,33	0,37	1,56	2,25	1,68	7,14	10,31	95
	2.0+2.5+2.5+3.5	1,30	1,62	1,62	2,27	2,32	6,80	8,63	0,41	1,55	2,44	1,89	7,10	11,16	95
2.5+2.5+2.5+2.5	1,70	1,70	1,70	1,70	2,32	6,80	8,56	0,42	1,55	2,39	1,94	7,10	10,92	95	
2.5+2.5+2.5+3.5	1,55	1,55	1,55	2,16	2,44	6,80	8,90	0,42	1,54	2,63	1,94	7,05	12,02	95	

Notes

- The total capacity of each connected indoor unit is up to -11.0-kW.
- The values mentioned in this document are for connecting with the following indoor unit types:
 -1.5, 2.0, 2.5, 3.5, 4.2, 5.0, 6.0- kW class
 Wall-mounted - CTXA-AS, CTXA-AT, CTXA-AW, CTXA-BB, CTXA-BS, CTXA-BT, CTXM-M, CTXM-N, CTXM-R, FTXA-AS, FTXA-AT, FTXA-AW, FTXA-BB, FTXA-BS, FTXA-BT, FTXM-M, FTXM-N, FTXM-R, FTXJ-AB, FTXJ-AS, FTXJ-AW- series
- Cooling capacity conditions
 Indoor temperature -27°C DB / -19°C WB
 Outdoor temperature -35°C DB
- For additional information on the connection of the DHW generator for Multi and the Hybrid for Multi, see -3D106169-.

4D139810B

4 Combination table

4 - 1 Combination Table

4MXM68A9

Heating · 230V 50Hz

Outdoor unit	Indoor unit	Heating capacity [kW]				Total capacity [kW]			Power input [kW]			Total current [A]			Power factor [%]	
		Room · A·	Room · B·	Room · C·	Room · D·	Minimum	Nominal	Maximum	Minimum	Nominal	Maximum	Minimum	Nominal	Maximum		
4MXM68N2V1B 4MXM68N2V1B9 4MXM68A2V1B 4MXM68A2V1B9	1.5	2.70	-	-	-	1.23	2.70	4.08	0.35	0.73	1.22	1.59	3.35	5.58	95	
	2.0	3.00	-	-	-	1.23	3.00	4.09	0.36	0.82	1.28	1.63	3.74	5.86	95	
	2.5	3.40	-	-	-	1.27	3.40	4.30	0.37	1.03	1.37	1.69	4.72	6.27	95	
	3.5	4.30	-	-	-	1.39	4.30	4.90	0.38	1.42	1.75	1.75	6.50	8.01	95	
	4.2	5.00	-	-	-	1.44	5.00	5.70	0.40	1.63	2.04	1.82	7.47	9.34	95	
	5.0	6.00	-	-	-	1.66	6.00	6.90	0.39	1.97	2.59	1.78	9.02	11.85	95	
	6.0	7.20	-	-	-	1.88	7.20	8.91	0.37	2.42	2.64	1.69	11.05	12.08	95	
	1.5+1.5	1.85	1.85	-	-	-	1.39	3.70	7.38	0.30	0.83	1.83	1.37	3.80	8.38	95
	1.5+2.0	1.80	2.40	-	-	-	1.45	4.20	7.76	0.31	0.97	1.99	1.43	4.42	9.09	95
	1.5+2.5	1.80	3.00	-	-	-	1.65	4.80	7.95	0.36	1.13	2.06	1.63	5.15	9.43	95
	1.5+3.5	1.80	4.20	-	-	-	1.80	6.00	8.50	0.37	1.47	2.35	1.68	6.73	10.74	95
	1.5+4.2	1.82	5.08	-	-	-	1.80	6.90	8.85	0.37	1.75	2.57	1.68	8.00	11.75	95
	1.5+5.0	1.82	6.08	-	-	-	2.18	7.90	10.38	0.45	2.05	2.91	2.06	9.39	13.31	95
	1.5+6.0	1.72	6.88	-	-	-	2.46	8.60	10.58	0.48	2.28	2.67	2.19	10.44	12.21	95
	2.0+2.0	2.40	2.40	-	-	-	1.65	4.80	7.95	0.36	1.01	2.31	1.63	4.63	10.57	95
	2.0+2.5	2.40	3.00	-	-	-	1.65	5.40	8.12	0.36	1.19	2.32	1.63	5.44	10.62	95
	2.0+3.5	2.40	4.20	-	-	-	1.80	6.60	8.67	0.37	1.54	2.43	1.68	7.05	11.12	95
	2.0+4.2	2.42	5.08	-	-	-	1.80	7.50	9.03	0.37	1.86	2.66	1.68	8.50	12.17	95
	2.0+5.0	2.40	6.00	-	-	-	2.18	8.40	10.56	0.45	2.21	3.00	2.06	10.10	13.73	95
	2.0+6.0	2.15	6.45	-	-	-	2.46	8.60	10.75	0.48	2.24	2.74	2.19	10.26	12.55	95
	2.5+2.5	3.00	3.00	-	-	-	1.65	6.00	8.49	0.36	1.35	2.36	1.63	6.18	10.78	95
	2.5+3.5	3.00	4.20	-	-	-	1.89	7.20	9.03	0.38	1.74	2.66	1.72	7.97	12.17	95
	2.5+4.2	3.02	5.08	-	-	-	1.89	8.10	9.29	0.38	2.06	2.82	1.72	9.42	12.93	95
	2.5+5.0	2.87	5.73	-	-	-	2.27	8.60	10.68	0.46	2.24	3.09	2.11	10.26	14.15	95
	2.5+6.0	2.53	6.07	-	-	-	2.55	8.60	10.88	0.50	2.22	2.77	2.28	10.17	12.67	95
	3.5+3.5	4.20	4.20	-	-	-	2.17	8.40	9.38	0.42	2.21	2.86	1.94	10.10	13.09	95
	3.5+4.2	3.91	4.69	-	-	-	2.17	8.60	9.47	0.42	2.26	2.91	1.94	10.35	13.31	95
	3.5+5.0	3.54	5.06	-	-	-	2.56	8.60	10.90	0.51	2.22	3.13	2.32	10.17	14.32	95
	3.5+6.0	3.17	5.43	-	-	-	2.74	8.60	11.01	0.52	2.21	2.76	2.37	10.12	12.63	95
	4.2+4.2	4.30	4.30	-	-	-	2.17	8.60	9.56	0.42	2.22	2.94	1.94	10.17	13.47	95
	4.2+5.0	3.93	4.67	-	-	-	2.56	8.60	10.91	0.51	2.21	3.19	2.32	10.12	14.61	95
	4.2+6.0	3.54	5.06	-	-	-	2.74	8.60	11.02	0.51	2.20	2.79	2.32	10.07	12.76	95
	5.0+5.0	4.30	4.30	-	-	-	2.94	8.60	11.10	0.59	2.17	3.11	2.71	9.94	14.23	95
	5.0+6.0	3.91	4.69	-	-	-	3.14	8.60	11.10	0.60	2.15	2.72	2.75	9.84	12.46	95
	1.5+1.5+1.5	1.83	1.83	1.83	-	-	1.80	5.50	9.92	0.37	1.13	2.26	1.69	5.15	10.36	95
	1.5+1.5+2.0	1.83	1.83	2.44	-	-	1.94	6.10	10.10	0.40	1.29	2.34	1.83	5.91	10.69	95
	1.5+1.5+2.5	1.83	1.83	3.05	-	-	2.09	6.70	10.18	0.42	1.48	2.37	1.93	6.80	10.86	95
	1.5+1.5+3.5	1.85	1.85	4.31	-	-	2.31	8.00	10.29	0.44	1.82	2.49	2.02	8.35	11.41	95
	1.5+1.5+4.2	1.79	1.79	5.02	-	-	2.31	8.60	10.29	0.44	2.03	2.49	2.02	9.30	11.41	95
	1.5+1.5+5.0	1.61	1.61	5.38	-	-	2.71	8.60	10.46	0.55	2.01	2.57	2.50	9.20	11.75	95
	1.5+1.5+6.0	1.43	1.43	5.73	-	-	2.93	8.60	10.59	0.55	1.99	2.31	2.50	9.11	10.57	95
	1.5+2.0+2.0	1.83	2.44	2.44	-	-	2.01	6.70	10.26	0.41	1.60	2.41	1.89	7.31	11.03	95
	1.5+2.0+2.5	1.83	2.43	3.04	-	-	2.10	7.30	10.36	0.42	1.73	2.44	1.94	7.93	11.16	95
	1.5+2.0+3.5	1.82	2.43	4.25	-	-	2.31	8.50	10.45	0.44	2.00	2.58	2.02	9.14	11.79	95
	1.5+2.0+4.2	1.68	2.23	4.69	-	-	2.31	8.60	10.46	0.44	2.01	2.57	2.02	9.20	11.75	95
1.5+2.0+5.0	1.52	2.02	5.06	-	-	2.71	8.60	10.88	0.55	2.00	2.64	2.50	9.16	12.08	95	
1.5+2.0+6.0	1.36	1.81	5.43	-	-	2.93	8.60	10.89	0.55	1.98	2.38	2.50	9.07	10.91	95	
1.5+2.5+2.5	1.85	3.08	3.08	-	-	2.20	8.00	10.47	0.45	1.89	2.44	2.06	8.64	11.16	95	
1.5+2.5+3.5	1.72	2.87	4.01	-	-	2.40	8.60	10.58	0.47	2.02	2.57	2.15	9.25	11.75	95	
1.5+2.5+4.2	1.57	2.62	4.40	-	-	2.41	8.60	10.58	0.47	2.00	2.57	2.15	9.16	11.75	95	
1.5+2.5+5.0	1.43	2.39	4.78	-	-	2.81	8.60	11.00	0.56	1.99	2.64	2.58	9.11	12.08	95	
1.5+2.5+6.0	1.29	2.15	5.16	-	-	3.02	8.60	11.00	0.57	1.97	2.38	2.62	9.02	10.91	95	
1.5+3.5+3.5	1.52	3.54	3.54	-	-	2.69	8.60	10.59	0.55	1.99	2.57	2.50	9.11	11.75	95	
1.5+3.5+4.2	1.40	3.27	3.93	-	-	2.69	8.60	10.59	0.55	1.98	2.56	2.50	9.07	11.71	95	
1.5+3.5+5.0	1.29	3.01	4.30	-	-	3.00	8.60	10.93	0.62	1.97	2.59	2.84	9.02	11.87	95	
1.5+3.5+6.0	1.17	2.74	4.69	-	-	2.93	8.60	10.93	0.55	1.96	2.37	2.50	8.98	10.86	95	
1.5+4.2+4.2	1.30	3.65	3.65	-	-	2.69	8.60	10.68	0.55	1.98	2.59	2.50	9.07	11.87	95	
1.5+4.2+5.0	1.21	3.38	4.02	-	-	3.00	8.60	10.99	0.62	1.96	2.67	2.84	8.98	12.21	95	
2.0+2.0+2.0	2.50	2.50	2.50	-	-	2.01	7.50	10.44	0.41	1.65	2.48	1.89	7.57	11.37	95	
2.0+2.0+2.5	2.46	2.46	3.08	-	-	2.10	8.00	10.52	0.42	1.79	2.52	1.94	8.17	11.54	95	
2.0+2.0+3.5	2.29	2.29	4.01	-	-	2.31	8.60	10.63	0.44	2.04	2.65	2.02	9.34	12.13	95	
2.0+2.0+4.2	2.10	2.10	4.40	-	-	2.31	8.60	10.63	0.44	2.02	2.65	2.02	9.25	12.13	95	
2.0+2.0+5.0	1.91	1.91	4.78	-	-	2.71	8.60	10.82	0.55	2.00	2.72	2.50	9.16	12.46	95	
2.0+2.0+6.0	1.72	1.72	5.16	-	-	2.93	8.60	10.95	0.55	1.99	2.46	2.50	9.11	11.24	95	
2.0+2.5+2.5	2.43	3.04	3.04	-	-	2.20	8.50	10.54	0.43	1.95	2.61	1.98	8.91	11.96	95	
2.0+2.5+3.5	2.15	2.69	3.76	-	-	2.40	8.60	10.63	0.46	2.02	2.65	2.11	9.25	12.13	95	
2.0+2.5+4.2	1.98	2.47	4.15	-	-	2.41	8.60	10.64	0.46	2.01	2.64	2.11	9.20	12.08	95	
2.0+2.5+5.0	1.81	2.26	4.53	-	-	2.81	8.60	11.06	0.56	1.98	2.75	2.58	9.07	12.59	95	
2.0+2.5+6.0	1.64	2.05	4.91	-	-	3.02	8.60	11.07	0.56	1.98	2.43	2.58	9.07	11.12	95	
2.0+3.5+3.5	1.91	3.34	3.34	-	-	2.69	8.60	10.76	0.52	2.00	2.70	2.37	9.16	12.34	95	
2.0+3.5+4.2	1.77	3.10	3.72	-	-	2.69	8.60	10.76	0.52	1.99	2.69	2.37	9.11	12.29	95	
2.0+3.5+5.0	1.64	2.87	4.10	-	-	3.00	8.60	11.11	0.58	1.98	2.82	2.67	9.07	12.88	95	
2.0+4.2+4.2	1.65	3.47	3.47	-	-	2.69	8.60	10.77	0.52	1.97	2.69	2.37	9.02	12.29	95	
2.5+2.5+2.5	2.87	2.87	2.87	-	-	2.31	8.60	10.65	0.45	1.99	2.64	2.06	9.11	12.08	95	
2.5+2.5+3.5	2.53	2.53	3.54	-	-	2.50	8.60	10.87	0.48	1.99	2.72	2.19	9.11	12.46	95	
2.5+2.5+4.2	2.34	2.34	3.93	-	-	2.50	8.60	10.88	0.48	1.97	2.72	2.19	9.02	12.46	95	
2.5+2.5+5.0	2.15	2.15	4.30	-	-	2.91	8.60	11.07	0.58	1.96	2.78	2.67	8.98	12.72	95	
2.5+2.5+6.0	1.95	1.95	4.69	-	-	3.12	8.60	11.08	0.58	1.94	2.43	2.67	8.88	11.12	95	
2.5+3.5+3.5	2.26	3.17	3.17	-	-	2.78	8.60	11.00	0.53	1.96	2.72	2.41	8.98	12.46	95	
2.5+3.5+4.2	2.11	2.95	3.54	-	-	2.79	8.60	11.01	0.53	1.96	2.71	2.41	8.98	12.42	95	
2.5+3.5+5.0	1.95	2.74	3.91	-	-	3.19	8.60	11.08	0.60	1.90	2.74	2.75	8.70	12.55	95	
2.5+4.2+4.2	1.97	3.31	3.31	-	-	2.79	8.60	11.01	0.53	1.95	2.71	2.41	8.93	12.42	95	
3.5+3.5+3.5	2.87	2.87	2.87	-												

4 Combination table

4 - 1 Combination Table

4MXM68A9

Heating · 230V 50Hz

Outdoor unit	Indoor unit	Heating capacity [kW]				Total capacity [kW]			Power input [kW]			Total current [A]			Power factor [%]
		Room · A·	Room · B·	Room · C·	Room · D·	Minimum	Nominal	Maximum	Minimum	Nominal	Maximum	Minimum	Nominal	Maximum	
4MXM68N2V1B 4MXM68N2V1B9 4MXM68A2V1B 4MXM68A2V1B9	1.5+1.5+1.5+1.5	1,83	1,83	1,83	1,83	2,23	7,30	10,07	0,44	1,52	2,12	2,02	6,94	9,68	95
	1.5+1.5+1.5+2.0	1,85	1,85	1,85	2,46	2,38	8,00	10,25	0,47	1,73	2,19	2,15	7,90	10,02	95
	1.5+1.5+1.5+2.5	1,82	1,82	1,82	3,04	2,57	8,50	10,36	0,50	1,86	2,20	2,28	8,50	10,07	95
	1.5+1.5+1.5+3.5	1,61	1,61	1,61	3,76	2,77	8,60	10,46	0,54	1,84	2,21	2,45	8,43	10,11	95
	1.5+1.5+1.5+4.2	1,48	1,48	1,48	4,15	2,78	8,60	10,46	0,53	1,84	2,20	2,41	8,43	10,06	95
	1.5+1.5+1.5+5.0	1,36	1,36	1,36	4,53	3,10	8,60	10,52	0,59	1,83	2,13	2,71	8,38	9,73	95
	1.5+1.5+1.5+6.0	1,23	1,23	1,23	4,91	3,04	8,60	10,88	0,45	1,79	1,98	2,06	8,20	9,05	95
	1.5+1.5+2.0+2.0	1,82	1,82	2,43	2,43	2,47	8,50	10,44	0,49	1,85	2,26	2,24	8,46	10,36	95
	1.5+1.5+2.0+2.5	1,72	1,72	2,29	2,87	2,57	8,60	10,54	0,50	1,87	2,27	2,28	8,56	10,39	95
	1.5+1.5+2.0+3.5	1,52	1,52	2,02	3,54	2,77	8,60	10,64	0,54	1,84	2,26	2,45	8,43	10,34	95
	1.5+1.5+2.0+4.2	1,40	1,40	1,87	3,93	2,78	8,60	10,65	0,53	1,82	2,25	2,41	8,33	10,30	95
	1.5+1.5+2.0+5.0	1,29	1,29	1,72	4,30	3,10	8,60	10,71	0,59	1,82	2,20	2,71	8,33	10,06	95
	1.5+1.5+2.0+6.0	1,17	1,17	1,56	4,69	3,04	8,60	11,07	0,45	1,78	2,04	2,06	8,15	9,35	95
	1.5+1.5+2.5+2.5	1,61	1,61	2,69	2,69	2,67	8,60	10,55	0,52	1,86	2,23	2,37	8,52	10,19	95
	1.5+1.5+2.5+3.5	1,43	1,43	2,39	3,34	2,98	8,60	10,65	0,59	1,82	2,27	2,71	8,33	10,40	95
	1.5+1.5+2.5+4.2	1,33	1,33	2,22	3,72	2,98	8,60	10,65	0,58	1,81	2,27	2,67	8,29	10,40	95
	1.5+1.5+2.5+5.0	1,23	1,23	2,05	4,10	3,10	8,60	10,90	0,59	1,80	2,25	2,71	8,24	10,30	95
	1.5+1.5+3.5+3.5	1,29	1,29	3,01	3,01	3,18	8,60	10,75	0,64	1,78	2,30	2,93	8,15	10,53	95
	1.5+1.5+3.5+4.2	1,21	1,21	2,81	3,38	2,99	8,60	10,85	0,58	1,78	2,34	2,67	8,15	10,69	95
	1.5+2.0+2.0+2.0	1,72	2,29	2,29	2,29	2,47	8,60	10,63	0,49	1,87	2,34	2,24	8,56	10,69	95
	1.5+2.0+2.0+2.5	1,61	2,15	2,15	2,69	2,57	8,60	10,72	0,50	1,86	2,35	2,28	8,52	10,76	95
	1.5+2.0+2.0+3.5	1,43	1,91	1,91	3,34	2,77	8,60	10,83	0,54	1,81	2,36	2,45	8,29	10,80	95
	1.5+2.0+2.0+4.2	1,33	1,77	1,77	3,72	2,78	8,60	10,84	0,53	1,80	2,35	2,41	8,24	10,74	95
	1.5+2.0+2.0+5.0	1,23	1,64	1,64	4,10	3,10	8,60	10,90	0,59	1,79	2,26	2,71	8,20	10,36	95
	1.5+2.0+2.5+3.5	1,52	2,02	2,53	2,53	2,67	8,60	10,72	0,52	1,86	2,29	2,37	8,52	10,48	95
	1.5+2.0+2.5+3.5	1,36	1,81	2,26	3,17	2,98	8,60	10,83	0,59	1,80	2,35	2,71	8,24	10,74	95
	1.5+2.0+2.5+4.2	1,26	1,69	2,11	3,54	2,98	8,60	10,84	0,58	1,80	2,35	2,67	8,24	10,74	95
	1.5+2.0+2.5+5.0	1,17	1,56	1,95	3,91	3,10	8,60	11,09	0,59	1,79	2,33	2,71	8,20	10,66	95
	1.5+2.0+3.5+3.5	1,23	1,64	2,87	2,87	3,18	8,60	10,93	0,64	1,78	2,37	2,93	8,15	10,86	95
	1.5+2.5+2.5+2.5	1,43	2,39	2,39	2,39	2,77	8,60	10,73	0,55	1,85	2,29	2,50	8,47	10,48	95
	1.5+2.5+2.5+3.5	1,29	2,15	2,15	3,01	3,08	8,60	10,92	0,62	1,79	2,38	2,84	8,20	10,91	95
	1.5+2.5+2.5+4.2	1,21	2,01	2,01	3,38	2,98	8,60	11,01	0,58	1,78	2,41	2,67	8,15	11,03	95
	1.5+2.5+3.5+3.5	1,17	1,95	2,74	2,74	3,18	8,60	11,02	0,64	1,76	2,41	2,93	8,06	11,03	95
	2.0+2.0+2.0+2.0	2,15	2,15	2,15	2,15	2,47	8,60	10,81	0,49	1,86	2,40	2,24	8,52	10,99	95
	2.0+2.0+2.0+2.5	2,02	2,02	2,02	2,53	2,57	8,60	10,90	0,50	1,86	2,41	2,28	8,52	11,03	95
	2.0+2.0+2.0+3.5	1,81	1,81	1,81	3,17	2,77	8,60	11,00	0,54	1,79	2,42	2,45	8,20	11,07	95
	2.0+2.0+2.0+4.2	1,69	1,69	1,69	3,54	2,78	8,60	11,01	0,53	1,80	2,42	2,41	8,24	11,07	95
	2.0+2.0+2.0+5.0	1,56	1,56	1,56	3,91	3,10	8,60	11,08	0,59	1,78	2,34	2,71	8,15	10,69	95
	2.0+2.0+2.5+2.5	1,91	1,91	2,39	2,39	2,67	8,60	10,91	0,52	1,85	2,36	2,37	8,47	10,82	95
	2.0+2.0+2.5+3.5	1,72	1,72	2,15	3,01	2,98	8,60	11,01	0,56	1,78	2,42	2,58	8,15	11,07	95
	2.0+2.0+2.5+4.2	1,61	1,61	2,01	3,38	2,98	8,60	11,01	0,56	1,78	2,42	2,58	8,15	11,07	95
	2.0+2.0+3.5+3.5	1,56	1,56	2,74	2,74	3,18	8,60	11,12	0,61	1,76	2,45	2,80	8,06	11,20	95
2.0+2.5+2.5+2.5	1,81	2,26	2,26	2,26	2,77	8,60	10,91	0,54	1,84	2,36	2,45	8,43	10,82	95	
2.0+2.5+2.5+3.5	1,64	2,05	2,05	2,87	3,08	8,60	11,11	0,59	1,78	2,46	2,71	8,15	11,24	95	
2.5+2.5+2.5+2.5	2,15	2,15	2,15	2,15	2,88	8,60	11,10	0,54	1,84	2,38	2,45	8,43	10,91	95	
2.5+2.5+2.5+3.5	1,95	1,95	1,95	2,74	3,18	8,60	11,11	0,60	1,79	2,37	2,75	8,20	10,86	95	

Notes

- The total capacity of each connected indoor unit is up to ·11.0-kW.
- The values mentioned in this document are for connecting with the following indoor unit types:
 ·1.5, 2.0, 2.5, 3.5, 4.2, 5.0, 6.0· kW class
 Wall-mounted ·CTXA-AS, CTXA-AT, CTXA-AW, CTXA-BB, CTXA-BS, CTXA-BT, CTXM-M, CTXM-N, CTXM-R, FTXA-AS, FTXA-AT, FTXA-AW, FTXA-BB, FTXA-BS, FTXA-BT, FTXM-M, FTXM-N, FTXM-R, FTXJ-AB, FTXJ-AS, FTXJ-AW· series
- Heating capacity conditions
 Indoor temperature ·20·°C DB
 Outdoor temperature ·7·°C DB / ·6·°C WB
- For additional information on the connection of the DHW generator for Multi and the Hybrid for Multi, see ·3D106169·.

4D139812B

4 Combination table

4 - 1 Combination Table

4MXM80A9

Cooling · 230V 50Hz·

Outdoor unit	Indoor unit	Cooling capacity [kW]				Total capacity [kW]			Power input [kW]			Total current [A]			Power factor [%]
		Room · A ·	Room · B ·	Room · C ·	Room · D ·	Minimum	Nominal	Maximum	Minimum	Nominal	Maximum	Minimum	Nominal	Maximum	
	1.5	1,80	-	-	-	1,73	1,80	2,96	0,42	0,34	0,58	1,91	1,60	2,70	95
	2.0	2,00	-	-	-	1,78	2,00	3,08	0,45	0,38	0,62	2,04	1,80	2,90	95
	2.5	2,50	-	-	-	1,85	2,50	3,65	0,48	0,48	0,81	2,18	2,20	3,80	95
	3.5	3,50	-	-	-	1,95	3,50	4,90	0,49	0,76	1,33	2,24	3,50	6,10	95
	4.2	4,20	-	-	-	1,98	4,20	5,33	0,49	1,01	1,47	2,26	4,70	6,72	95
	5.0	5,00	-	-	-	2,05	5,00	6,03	0,46	1,30	1,74	2,09	6,00	7,97	95
	6.0	6,00	-	-	-	2,15	6,00	6,80	0,46	1,77	2,28	2,09	8,10	10,43	95
	7.1	7,10	-	-	-	2,26	7,10	7,45	0,49	2,53	2,83	2,22	11,60	13,00	95
	1.5+1.5	1,50	1,50	-	-	1,98	3,00	4,79	0,45	0,56	1,02	2,05	2,60	4,65	95
	1.5+2.0	1,50	2,00	-	-	2,01	3,50	4,96	0,49	0,69	1,11	2,24	3,20	5,10	95
	1.5+2.5	1,50	2,50	-	-	2,03	4,00	5,28	0,44	0,83	1,25	2,02	3,90	5,72	95
	1.5+3.5	1,50	3,50	-	-	2,05	5,00	6,17	0,42	1,16	1,59	1,94	5,40	7,29	95
	1.5+4.2	1,50	4,20	-	-	2,12	5,70	6,52	0,46	1,43	1,79	2,11	6,60	8,30	95
	1.5+5.0	1,50	5,00	-	-	2,20	6,50	7,12	0,47	1,70	2,01	2,15	7,80	9,20	95
	1.5+6.0	1,48	5,92	-	-	2,32	7,40	7,77	0,51	2,16	2,38	2,32	9,90	10,90	95
	1.5+7.1	1,40	6,60	-	-	2,47	8,00	8,43	0,54	2,45	2,81	2,48	11,30	13,00	95
	2.0+2.0	2,00	2,00	-	-	1,95	4,00	5,41	0,46	0,84	1,34	2,11	3,90	6,12	95
	2.0+2.5	2,00	2,50	-	-	2,00	4,50	5,85	0,46	0,99	1,50	2,11	4,60	7,00	95
	2.0+3.5	2,00	3,50	-	-	2,10	5,50	6,51	0,46	1,35	1,79	2,11	6,20	8,30	95
	2.0+4.2	2,00	4,20	-	-	2,17	6,20	6,91	0,46	1,64	2,00	2,11	7,60	9,20	95
	2.0+5.0	2,00	5,00	-	-	2,25	7,00	7,45	0,47	1,95	2,21	2,15	9,00	10,11	95
	2.0+6.0	1,85	5,55	-	-	2,39	7,40	8,08	0,51	2,16	2,57	2,32	9,90	11,80	95
	2.0+7.1	1,76	6,24	-	-	2,53	8,00	8,65	0,54	2,45	3,00	2,48	11,30	13,80	95
	2.5+2.5	2,50	2,50	-	-	2,05	5,00	6,28	0,42	1,17	1,69	1,94	5,40	7,80	95
	2.5+3.5	2,50	3,50	-	-	2,15	6,00	6,75	0,46	1,55	1,93	2,11	7,10	8,82	95
	2.5+4.2	2,50	4,20	-	-	2,22	6,70	7,23	0,46	1,89	2,20	2,11	8,70	10,05	95
	2.5+5.0	2,47	4,93	-	-	2,32	7,40	7,80	0,50	2,16	2,39	2,27	9,90	11,00	95
	2.5+6.0	2,35	5,65	-	-	2,46	8,00	8,35	0,54	2,45	2,75	2,48	11,30	12,60	95
	2.5+7.1	2,08	5,92	-	-	2,60	8,00	8,65	0,54	2,45	3,10	2,48	11,30	14,19	95
	3.5+3.5	3,50	3,50	-	-	2,25	7,00	7,45	0,46	2,04	2,31	2,11	9,40	10,57	95
	3.5+4.2	3,50	4,20	-	-	2,35	7,70	7,81	0,50	2,47	2,57	2,27	11,40	11,76	95
	3.5+5.0	3,29	4,71	-	-	2,46	8,00	7,98	0,53	2,45	2,63	2,44	11,30	12,02	95
	3.5+6.0	2,95	5,05	-	-	2,58	8,00	8,61	0,54	2,49	3,04	2,48	11,50	13,91	95
	3.5+7.1	2,64	5,36	-	-	2,74	8,00	8,64	0,58	2,46	2,86	2,65	11,30	13,09	95
	4.2+4.2	4,00	4,00	-	-	2,44	8,00	7,82	0,53	2,66	2,74	2,44	12,20	12,52	95
	4.2+5.0	3,65	4,35	-	-	2,54	8,00	8,17	0,53	2,45	2,82	2,44	11,20	12,91	95
	4.2+6.0	3,29	4,71	-	-	2,68	8,00	8,63	0,58	2,49	3,15	2,65	11,50	14,44	95
4MXM80M2V1B	4.2+7.1	2,97	5,03	-	-	2,83	8,00	8,81	0,62	2,46	3,38	2,82	11,30	15,45	95
4MXM80N2V1B	5.0+5.0	4,00	4,00	-	-	2,65	8,00	8,33	0,57	2,39	2,78	2,61	11,00	12,70	95
4MXM80N2V1B9	5.0+6.0	3,64	4,36	-	-	2,79	8,00	8,81	0,62	2,35	3,15	2,82	10,80	14,42	95
4MXM80A2V1B	5.0+7.1	3,31	4,69	-	-	2,94	8,00	9,08	0,62	2,35	3,32	2,82	10,80	15,21	95
4MXM80A2V1B9	6.0+6.0	4,00	4,00	-	-	2,93	8,00	9,42	0,62	2,35	3,49	2,82	10,80	15,99	95
	6.0+7.1	3,66	4,34	-	-	3,22	8,00	9,44	0,58	2,34	3,57	2,70	10,70	16,34	95
	7.1+7.1	4,00	4,00	-	-	3,38	8,00	9,47	0,61	2,30	3,57	2,90	10,60	16,36	95
	1.5+1.5+1.5	1,50	1,50	1,50	-	2,00	4,50	6,40	0,44	0,90	1,41	2,02	4,20	6,44	95
	1.5+1.5+2.0	1,50	1,50	2,00	-	2,05	5,00	6,56	0,48	1,04	1,50	2,19	4,80	6,86	95
	1.5+1.5+2.5	1,50	1,50	2,50	-	2,10	5,50	6,72	0,48	1,21	1,59	2,19	5,60	7,29	95
	1.5+1.5+3.5	1,50	1,50	3,50	-	2,20	6,50	7,13	0,48	1,55	1,82	2,19	7,20	8,40	95
	1.5+1.5+4.2	1,50	1,50	4,20	-	2,28	7,20	7,60	0,48	1,86	2,03	2,19	8,50	9,40	95
	1.5+1.5+5.0	1,39	1,39	4,63	-	2,39	7,40	8,10	0,52	1,87	2,21	2,36	8,60	10,20	95
	1.5+1.5+6.0	1,33	1,33	5,33	-	2,52	8,00	8,55	0,55	2,15	2,45	2,53	9,90	11,30	95
	1.5+1.5+7.1	1,19	1,19	5,62	-	2,67	8,00	9,07	0,59	2,15	2,76	2,69	9,90	12,70	95
	1.5+2.0+2.0	1,50	2,00	2,00	-	2,10	5,50	6,54	0,48	1,21	1,55	2,19	5,60	7,11	95
	1.5+2.0+2.5	1,50	2,00	2,50	-	2,15	6,00	6,89	0,48	1,39	1,70	2,19	6,40	7,77	95
	1.5+2.0+3.5	1,50	2,00	3,50	-	2,25	7,00	7,47	0,48	1,76	1,98	2,19	8,10	9,10	95
	1.5+2.0+4.2	1,50	2,00	4,20	-	2,35	7,70	7,92	0,51	2,09	2,20	2,32	9,60	10,10	95
	1.5+2.0+5.0	1,41	1,88	4,71	-	2,46	8,00	8,31	0,54	2,18	2,33	2,48	10,00	10,70	95
	1.5+2.0+6.0	1,26	1,68	5,05	-	2,58	8,00	8,86	0,55	2,15	2,63	2,53	9,90	12,10	95
	1.5+2.0+7.1	1,13	1,51	5,36	-	2,74	8,00	9,26	0,59	2,15	2,89	2,69	9,90	13,30	95
	1.5+2.5+2.5	1,50	2,50	2,50	-	2,20	6,50	7,11	0,48	1,56	1,82	2,19	7,20	8,40	95
	1.5+2.5+3.5	1,48	2,47	3,45	-	2,32	7,40	7,82	0,51	1,95	2,14	2,32	9,00	9,90	95
	1.5+2.5+4.2	1,46	2,44	4,10	-	2,42	8,00	8,25	0,51	2,25	2,37	2,32	10,30	10,90	95
	1.5+2.5+5.0	1,33	2,22	4,44	-	2,52	8,00	8,64	0,54	2,18	2,51	2,48	10,00	11,50	95
	1.5+2.5+6.0	1,20	2,00	4,80	-	2,65	8,00	9,07	0,55	2,15	2,76	2,53	9,90	12,70	95
	1.5+2.5+7.1	1,08	1,80	5,12	-	2,80	8,00	9,37	0,59	2,15	2,95	2,69	9,90	13,60	95
	1.5+3.5+3.5	1,41	3,29	3,29	-	2,46	8,00	8,38	0,54	2,24	2,44	2,48	10,30	11,20	95
	1.5+3.5+4.2	1,30	3,04	3,65	-	2,54	8,00	8,64	0,54	2,24	2,60	2,48	10,30	11,91	95
	1.5+3.5+5.0	1,20	2,80	4,00	-	2,65	8,00	8,83	0,58	2,15	2,65	2,65	9,90	12,13	95
	1.5+3.5+6.0	1,09	2,55	4,36	-	2,79	8,00	9,27	0,59	2,14	2,91	2,69	9,80	13,33	95
	1.5+3.5+7.1	0,99	2,31	4,69	-	2,94	8,00	9,47	0,62	2,14	3,05	2,82	9,80	13,95	95
	1.5+4.2+4.2	1,21	3,39	3,39	-	2,64	8,00	8,65	0,58	2,24	2,70	2,65	10,30	12,36	95
	1.5+4.2+5.0	1,12	3,14	3,74	-	2,75	8,00	8,84	0,58	2,14	2,75	2,65	9,90	12,59	95
	1.5+4.2+6.0	1,03	2,87	4,10	-	2,89	8,00	9,47	0,62	2,14	3,01	2,82	9,80	13,77	95

4D139814B

4 Combination table

4 - 1 Combination Table

4MXM80A9

Cooling · 230V 50Hz

Outdoor unit	Indoor unit	Cooling capacity [kW]				Total capacity [kW]			Power input [kW]			Total current [A]			Power factor [%]
		Room · A ·	Room · B ·	Room · C ·	Room · D ·	Minimum	Nominal	Maximum	Minimum	Nominal	Maximum	Minimum	Nominal	Maximum	
	1.5+4.2+7.1	0,94	2,63	4,44	-	3,04	8,00	9,49	0,65	2,14	3,09	2,99	9,80	14,13	95
	1.5+5.0+5.0	1,04	3,48	3,48	-	2,86	8,00	9,23	0,62	2,09	2,83	2,82	9,60	12,95	95
	1.5+5.0+6.0	0,96	3,20	3,84	-	3,00	8,00	9,66	0,63	2,08	3,03	2,86	9,60	13,86	95
	1.5+5.0+7.1	0,88	2,94	4,18	-	3,32	8,00	9,68	0,58	2,08	3,07	2,70	9,60	14,03	95
	1.5+6.0+6.0	0,89	3,56	3,56	-	3,13	8,00	9,83	0,66	2,05	3,11	3,03	9,40	14,30	95
	2.0+2.0+2.0	2,00	2,00	2,00	-	2,15	6,00	6,76	0,48	1,39	1,69	2,19	6,40	7,73	95
	2.0+2.0+2.5	2,00	2,00	2,50	-	2,20	6,50	7,10	0,48	1,58	1,82	2,19	7,30	8,40	95
	2.0+2.0+3.5	1,97	1,97	3,45	-	2,32	7,40	7,80	0,51	1,96	2,14	2,32	9,00	9,90	95
	2.0+2.0+4.2	1,95	1,95	4,10	-	2,42	8,00	8,23	0,51	2,25	2,37	2,32	10,30	10,90	95
	2.0+2.0+5.0	1,78	1,78	4,44	-	2,52	8,00	8,63	0,54	2,18	2,51	2,48	10,00	11,50	95
	2.0+2.0+6.0	1,60	1,60	4,80	-	2,65	8,00	9,06	0,55	2,15	2,76	2,53	9,90	12,70	95
	2.0+2.0+7.1	1,44	1,44	5,12	-	2,80	8,00	9,45	0,59	2,15	3,02	2,69	9,90	13,90	95
	2.0+2.5+2.5	2,00	2,50	2,50	-	2,25	7,00	7,45	0,48	1,79	1,98	2,19	8,20	9,10	95
	2.0+2.5+3.5	1,85	2,31	3,24	-	2,39	7,40	8,13	0,51	1,95	2,31	2,32	9,00	10,70	95
	2.0+2.5+4.2	1,84	2,30	3,86	-	2,48	8,00	8,45	0,54	2,25	2,49	2,48	10,30	11,50	95
	2.0+2.5+5.0	1,68	2,11	4,21	-	2,58	8,00	8,79	0,54	2,18	2,61	2,48	10,00	11,96	95
	2.0+2.5+6.0	1,52	1,90	4,57	-	2,72	8,00	9,26	0,59	2,15	2,88	2,69	9,90	13,30	95
	2.0+2.5+7.1	1,38	1,72	4,90	-	2,87	8,00	9,55	0,62	2,15	3,08	2,82	9,90	14,20	95
	2.0+3.5+3.5	1,78	3,11	3,11	-	2,52	8,00	8,58	0,54	2,24	2,56	2,48	10,30	11,80	95
	2.0+3.5+4.2	1,65	2,89	3,46	-	2,61	8,00	8,64	0,58	2,24	2,67	2,65	10,30	12,21	95
	2.0+3.5+5.0	1,52	2,67	3,81	-	2,72	8,00	8,83	0,58	2,15	2,72	2,65	9,90	12,43	95
	2.0+3.5+6.0	1,39	2,43	4,17	-	2,86	8,00	9,46	0,62	2,14	3,01	2,82	9,80	13,77	95
	2.0+3.5+7.1	1,27	2,22	4,51	-	3,01	8,00	9,47	0,62	2,14	2,94	2,82	9,80	13,44	95
	2.0+4.2+4.2	1,54	3,23	3,23	-	2,71	8,00	8,65	0,58	2,24	2,80	2,65	10,30	12,82	95
	2.0+4.2+5.0	1,43	3,00	3,57	-	2,82	8,00	9,05	0,62	2,14	2,88	2,82	9,90	13,19	95
	2.0+4.2+6.0	1,31	2,75	3,93	-	2,95	8,00	9,47	0,62	2,14	3,08	2,82	9,80	14,11	95
	2.0+4.2+7.1	1,20	2,53	4,27	-	3,11	8,00	9,49	0,65	2,14	3,16	2,99	9,80	14,47	95
	2.0+5.0+5.0	1,33	3,33	3,33	-	2,93	8,00	9,23	0,62	2,09	2,90	2,82	9,60	13,27	95
	2.0+5.0+6.0	1,23	3,08	3,69	-	3,06	8,00	9,66	0,65	2,08	3,06	2,99	9,60	14,03	95
	2.0+5.0+7.1	1,13	2,84	4,03	-	3,32	8,00	9,68	0,58	2,08	3,07	2,70	9,60	14,03	95
	2.0+6.0+6.0	1,14	3,43	3,43	-	3,32	8,00	10,16	0,58	2,05	3,22	2,70	9,40	14,72	95
	2.5+2.5+2.5	2,47	2,47	2,47	-	2,32	7,40	7,79	0,51	1,96	2,14	2,32	9,00	9,90	95
	2.5+2.5+3.5	2,35	2,35	3,29	-	2,46	8,00	8,35	0,54	2,25	2,43	2,48	10,30	11,20	95
	2.5+2.5+4.2	2,17	2,17	3,65	-	2,54	8,00	8,61	0,54	2,24	2,63	2,48	10,30	12,04	95
	2.5+2.5+5.0	2,00	2,00	4,00	-	2,65	8,00	8,80	0,58	2,15	2,68	2,65	9,90	12,27	95
	2.5+2.5+6.0	1,82	1,82	4,36	-	2,79	8,00	9,33	0,59	2,15	2,94	2,69	9,90	13,45	95
	2.5+2.5+7.1	1,65	1,65	4,69	-	2,94	8,00	9,54	0,62	2,14	3,11	2,82	9,90	14,24	95
	2.5+3.5+3.5	2,11	2,95	2,95	-	2,58	8,00	8,64	0,54	2,24	2,57	2,48	10,30	11,76	95
	2.5+3.5+4.2	1,96	2,75	3,29	-	2,68	8,00	8,65	0,58	2,23	2,73	2,65	10,30	12,52	95
	2.5+3.5+5.0	1,82	2,55	3,64	-	2,79	8,00	8,85	0,62	2,14	2,78	2,82	9,90	12,74	95
	2.5+3.5+6.0	1,67	2,33	4,00	-	2,93	8,00	9,47	0,62	2,14	3,05	2,82	9,80	13,94	95
	2.5+3.5+7.1	1,53	2,14	4,34	-	3,08	8,00	9,49	0,65	2,14	2,94	2,99	9,80	13,45	95
	2.5+4.2+4.2	1,83	3,08	3,08	-	2,78	8,00	8,67	0,62	2,23	2,80	2,82	10,30	12,83	95
4MXM80M2V1B	2.5+4.2+5.0	1,71	2,87	3,42	-	2,89	8,00	9,06	0,62	2,14	2,92	2,82	9,90	13,36	95
4MXM80N2V1B	2.5+4.2+6.0	1,57	2,65	3,78	-	3,02	8,00	9,48	0,62	2,14	3,12	2,82	9,80	14,30	95
4MXM80N2V1B9	2.5+4.2+7.1	1,45	2,43	4,12	-	3,29	8,00	9,50	0,58	2,13	3,16	2,70	9,80	14,48	95
4MXM80A2V1B	2.5+5.0+5.0	1,60	3,20	3,20	-	3,00	8,00	9,24	0,65	2,09	2,90	2,99	9,60	13,27	95
4MXM80A2V1B9	2.5+5.0+6.0	1,48	2,96	3,56	-	3,13	8,00	9,68	0,65	2,08	3,07	2,99	9,60	14,03	95
	2.5+6.0+6.0	1,38	3,31	3,31	-	3,32	8,00	10,18	0,58	2,05	3,22	2,70	9,40	14,73	95
	3.5+3.5+3.5	2,67	2,67	2,67	-	2,72	8,00	8,79	0,58	2,20	2,70	2,65	10,10	12,36	95
	3.5+3.5+4.2	2,50	2,50	3,00	-	2,82	8,00	8,80	0,62	2,20	2,91	2,82	10,10	13,31	95
	3.5+3.5+5.0	2,33	2,33	3,33	-	2,93	8,00	8,99	0,62	2,14	2,89	2,82	9,80	13,23	95
	3.5+3.5+6.0	2,15	2,15	3,69	-	3,06	8,00	9,52	0,65	2,13	2,94	2,99	9,80	13,46	95
	3.5+3.5+7.1	1,99	1,99	4,03	-	3,30	8,00	9,54	0,58	2,10	3,13	2,70	9,70	14,32	95
	3.5+4.2+4.2	2,35	2,82	2,82	-	2,91	8,00	9,01	0,62	2,20	2,94	2,82	10,10	13,45	95
	3.5+4.2+5.0	2,20	2,65	3,15	-	3,02	8,00	9,21	0,65	2,13	2,96	2,99	9,80	13,53	95
	3.5+4.2+6.0	2,04	2,45	3,50	-	3,30	8,00	9,53	0,58	2,10	3,13	2,70	9,70	14,32	95
	3.5+5.0+5.0	2,07	2,96	2,96	-	3,13	8,00	9,18	0,65	2,08	2,91	2,99	9,60	13,30	95
	3.5+5.0+6.0	1,93	2,76	3,31	-	3,33	8,00	9,72	0,58	2,05	3,07	2,70	9,40	14,05	95
	4.2+4.2+4.2	2,67	2,67	2,67	-	3,01	8,00	9,21	0,65	2,19	3,00	2,99	10,10	13,73	95
	4.2+4.2+5.0	2,51	2,51	2,99	-	3,12	8,00	9,31	0,65	2,13	2,99	2,99	9,80	13,68	95
	4.2+4.2+6.0	2,33	2,33	3,33	-	3,30	8,00	9,54	0,58	2,10	3,13	2,70	9,70	14,32	95
	4.2+5.0+5.0	2,37	2,82	2,82	-	3,32	8,00	9,19	0,58	2,05	2,91	2,70	9,40	13,30	95
	1.5+1.5+1.5+1.5	1,65	1,65	1,65	1,65	2,15	6,60	7,06	0,49	1,39	1,59	2,23	6,38	7,27	95
	1.5+1.5+1.5+2.0	1,55	1,55	1,55	2,06	2,20	6,70	7,26	0,49	1,49	1,70	2,23	6,81	7,77	95
	1.5+1.5+1.5+2.5	1,50	1,50	1,50	2,50	2,25	7,00	7,46	0,49	1,53	1,79	2,23	7,00	8,17	95
	1.5+1.5+1.5+3.5	1,39	1,39	1,39	3,24	2,39	7,40	8,09	0,52	1,77	2,06	2,36	8,10	9,50	95
	1.5+1.5+1.5+4.2	1,38	1,38	1,38	3,86	2,48	8,00	8,46	0,52	2,03	2,23	2,36	9,40	10,30	95
	1.5+1.5+1.5+5.0	1,26	1,26	1,26	4,21	2,58	8,00	8,82	0,55	1,99	2,36	2,53	9,10	10,90	95
	1.5+1.5+1.5+6.0	1,14	1,14	1,14	4,57	2,72	8,00	9,19	0,56	1,98	2,55	2,57	9,10	11,70	95
	1.5+1.5+1.5+7.1	1,03	1,03	1,03	4,90	2,87	8,00	9,53	0,59	1,98	2,74	2,69	9,10	12,60	95
	1.5+1.5+2.0+2.0	1,50	1,50	2,00	2,00	2,25	7,00	7,46	0,49	1,53	1,81	2,23	7,00	8,29	95
	1.5+1.5+2.0+2.5	1,48	1,48	1,97	2,47	2,32	7,40	7,82	0,52	1,77	1,94	2,36	8,20	9,00	95

4D139814B

4 Combination table

4 - 1 Combination Table

4MXM80A9

Cooling · 230V 50Hz·

Outdoor unit	Indoor unit	Cooling capacity [kW]				Total capacity [kW]			Power input [kW]			Total current [A]			Power factor [%]
		Room · A ·	Room · B ·	Room · C ·	Room · D ·	Minimum	Nominal	Maximum	Minimum	Nominal	Maximum	Minimum	Nominal	Maximum	
	1.5+1.5+2.0+3.5	1,41	1,41	1,88	3,29	2,46	8,00	8,34	0,52	2,03	2,17	2,36	9,40	10,00	95
	1.5+1.5+2.0+4.2	1,30	1,30	1,74	3,65	2,54	8,00	8,70	0,55	2,03	2,35	2,53	9,40	10,90	95
	1.5+1.5+2.0+5.0	1,20	1,20	1,60	4,00	2,65	8,00	9,05	0,55	1,99	2,48	2,53	9,10	11,40	95
	1.5+1.5+2.0+6.0	1,09	1,09	1,45	4,36	2,79	8,00	9,41	0,59	1,98	2,67	2,69	9,10	12,30	95
	1.5+1.5+2.0+7.1	0,99	0,99	1,32	4,69	2,94	8,00	9,64	0,63	1,98	2,80	2,86	9,10	12,90	95
	1.5+1.5+2.5+2.5	1,39	1,39	2,31	2,31	2,39	7,40	8,07	0,52	1,77	2,06	2,36	8,20	9,50	95
	1.5+1.5+2.5+3.5	1,33	1,33	2,22	3,11	2,52	8,00	8,58	0,55	2,03	2,29	2,53	9,30	10,60	95
	1.5+1.5+2.5+4.2	1,24	1,24	2,06	3,46	2,61	8,00	8,93	0,55	2,03	2,47	2,53	9,30	11,40	95
	1.5+1.5+2.5+5.0	1,14	1,14	1,90	3,81	2,72	8,00	9,17	0,59	1,98	2,55	2,69	9,10	11,70	95
	1.5+1.5+2.5+6.0	1,04	1,04	1,74	4,17	2,86	8,00	9,53	0,59	1,98	2,74	2,69	9,10	12,60	95
	1.5+1.5+2.5+7.1	0,95	0,95	1,59	4,51	3,01	8,00	9,75	0,63	1,98	2,87	2,86	9,10	13,20	95
	1.5+1.5+3.5+3.5	1,20	1,20	2,80	2,80	2,65	8,00	9,07	0,55	2,00	2,54	2,53	9,20	11,70	95
	1.5+1.5+3.5+4.2	1,12	1,12	2,62	3,14	2,75	8,00	9,30	0,59	2,00	2,66	2,69	9,20	12,30	95
	1.5+1.5+3.5+5.0	1,04	1,04	2,43	3,48	2,86	8,00	9,54	0,59	1,98	2,74	2,69	9,10	12,60	95
	1.5+1.5+3.5+6.0	0,96	0,96	2,24	3,84	3,00	8,00	9,67	0,63	1,95	2,81	2,86	9,00	12,90	95
	1.5+1.5+3.5+7.1	0,88	0,88	2,06	4,18	3,15	8,00	9,78	0,66	1,95	2,87	3,03	9,00	13,20	95
	1.5+1.5+4.2+4.2	1,05	1,05	2,95	2,95	2,84	8,00	9,52	0,59	2,00	2,79	2,69	9,20	12,90	95
	1.5+1.5+4.2+5.0	0,98	0,98	2,75	3,28	2,95	8,00	9,65	0,63	1,98	2,81	2,86	9,10	12,90	95
	1.5+1.5+4.2+6.0	0,91	0,91	2,55	3,64	3,09	8,00	9,78	0,63	1,95	2,87	2,86	9,00	13,20	95
	1.5+1.5+4.2+7.1	0,84	0,84	2,35	3,97	3,38	8,00	9,79	0,57	1,95	2,87	2,70	9,00	13,20	95
	1.5+1.5+5.0+5.0	0,92	0,92	3,08	3,08	3,06	8,00	9,77	0,63	1,94	2,82	2,86	8,90	13,00	95
	1.5+1.5+5.0+6.0	0,86	0,86	2,86	3,43	3,20	8,00	9,78	0,66	1,93	2,82	3,03	8,90	13,00	95
	1.5+2.0+2.0+2.0	1,48	1,97	1,97	1,97	2,32	7,40	7,81	0,52	1,77	1,94	2,36	8,20	9,00	95
	1.5+2.0+2.0+2.5	1,39	1,85	1,85	2,31	2,39	7,40	8,07	0,52	1,77	2,06	2,36	8,20	9,50	95
	1.5+2.0+2.0+3.5	1,33	1,78	1,78	3,11	2,52	8,00	8,57	0,55	2,03	2,29	2,53	9,40	10,60	95
	1.5+2.0+2.0+4.2	1,24	1,65	1,65	3,46	2,61	8,00	8,92	0,55	2,03	2,47	2,53	9,40	11,40	95
	1.5+2.0+2.0+5.0	1,14	1,52	1,52	3,81	2,72	8,00	9,17	0,59	1,99	2,54	2,69	9,10	11,70	95
	1.5+2.0+2.0+6.0	1,04	1,39	1,39	4,17	2,86	8,00	9,52	0,59	1,98	2,74	2,69	9,10	12,60	95
	1.5+2.0+2.0+7.1	0,95	1,27	1,27	4,51	3,01	8,00	9,74	0,63	1,98	2,87	2,86	9,10	13,20	95
	1.5+2.0+2.5+2.5	1,41	1,88	2,35	2,35	2,46	8,00	8,32	0,52	2,04	2,17	2,36	9,40	10,00	95
	1.5+2.0+2.5+3.5	1,26	1,68	2,11	2,95	2,58	8,00	8,81	0,55	2,03	2,41	2,53	9,30	11,10	95
	1.5+2.0+2.5+4.2	1,18	1,57	1,96	3,29	2,68	8,00	9,15	0,59	2,03	2,60	2,69	9,30	11,90	95
	1.5+2.0+2.5+5.0	1,09	1,45	1,82	3,64	2,79	8,00	9,40	0,59	1,98	2,67	2,69	9,10	12,30	95
	1.5+2.0+2.5+6.0	1,00	1,33	1,67	4,00	2,93	8,00	9,64	0,63	1,98	2,80	2,86	9,10	12,90	95
	1.5+2.0+2.5+7.1	0,92	1,22	1,53	4,34	3,08	8,00	9,75	0,63	1,98	2,87	2,86	9,10	13,20	95
	1.5+2.0+3.5+3.5	1,14	1,52	2,67	2,67	2,72	8,00	9,18	0,59	2,00	2,60	2,69	9,20	12,00	95
	1.5+2.0+3.5+4.2	1,07	1,43	2,50	3,00	2,82	8,00	9,40	0,59	2,00	2,73	2,69	9,20	12,50	95
	1.5+2.0+3.5+5.0	1,00	1,33	2,33	3,33	2,93	8,00	9,64	0,63	1,98	2,81	2,86	9,10	12,90	95
	1.5+2.0+3.5+6.0	0,92	1,23	2,15	3,69	3,06	8,00	9,77	0,63	1,95	2,87	2,86	9,00	13,20	95
	1.5+2.0+3.5+7.1	0,85	1,13	1,99	4,03	3,38	8,00	9,78	0,57	1,95	2,87	2,70	9,00	13,20	95
	1.5+2.0+4.2+4.2	1,01	1,34	2,82	2,82	2,91	8,00	9,57	0,62	2,00	2,85	2,82	9,20	13,02	95
	1.5+2.0+4.2+5.0	0,94	1,26	2,65	3,15	3,02	8,00	9,71	0,63	1,98	2,86	2,86	9,10	13,08	95
	1.5+2.0+4.2+6.0	0,88	1,17	2,45	3,50	3,16	8,00	9,78	0,66	1,95	2,87	3,03	9,00	13,20	95
	1.5+2.0+5.0+5.0	0,89	1,19	2,96	2,96	3,13	8,00	9,77	0,65	1,94	2,82	2,99	8,90	13,00	95
	1.5+2.0+5.0+6.0	0,83	1,10	2,76	3,31	3,40	8,00	9,78	0,57	1,93	2,82	2,70	8,90	13,00	95
	1.5+2.5+2.5+2.5	1,33	2,22	2,22	2,22	2,52	8,00	8,56	0,55	2,04	2,29	2,53	9,40	10,60	95
	1.5+2.5+2.5+3.5	1,20	2,00	2,00	2,80	2,65	8,00	9,05	0,55	2,03	2,54	2,53	9,30	11,70	95
	1.5+2.5+2.5+4.2	1,12	1,87	1,87	3,14	2,75	8,00	9,27	0,59	2,03	2,66	2,69	9,30	12,30	95
	1.5+2.5+2.5+5.0	1,04	1,74	1,74	3,48	2,86	8,00	9,52	0,59	1,98	2,74	2,69	9,10	12,60	95
	1.5+2.5+2.5+6.0	0,96	1,60	1,60	3,84	3,00	8,00	9,65	0,63	1,98	2,81	2,86	9,10	12,90	95
	1.5+2.5+2.5+7.1	0,88	1,47	1,47	4,18	3,15	8,00	9,76	0,66	1,98	2,87	3,03	9,10	13,20	95
4MXM80M2V1B	1.5+2.5+3.5+3.5	1,09	1,82	2,55	2,55	2,79	8,00	9,35	0,59	2,00	2,71	2,69	9,20	12,42	95
4MXM80N2V1B	1.5+2.5+3.5+4.2	1,03	1,71	2,39	2,87	2,89	8,00	9,47	0,62	2,00	2,78	2,82	9,20	12,72	95
4MXM80N2V1B9	1.5+2.5+3.5+5.0	0,96	1,60	2,24	3,20	3,00	8,00	9,65	0,63	1,98	2,81	2,86	9,10	12,90	95
4MXM80A2V1B	1.5+2.5+3.5+6.0	0,89	1,48	2,07	3,56	3,13	8,00	9,78	0,66	1,95	2,87	3,03	9,00	13,20	95
4MXM80A2V1B9	1.5+2.5+4.2+4.2	0,97	1,61	2,71	2,71	2,98	8,00	9,58	0,62	2,00	2,85	2,82	9,20	13,03	95
	1.5+2.5+4.2+5.0	0,91	1,52	2,55	3,03	3,09	8,00	9,72	0,65	1,98	2,86	2,99	9,10	13,08	95
	1.5+2.5+4.2+6.0	0,85	1,41	2,37	3,38	3,38	8,00	9,79	0,57	1,95	2,87	2,70	9,00	13,20	95
	1.5+2.5+5.0+5.0	0,86	1,43	2,86	2,86	3,20	8,00	9,49	0,65	1,94	2,74	2,99	8,90	12,52	95
	1.5+3.5+3.5+3.5	1,00	2,33	2,33	2,33	2,93	8,00	9,49	0,62	1,99	2,82	2,82	9,20	12,89	95
	1.5+3.5+3.5+4.2	0,94	2,20	2,20	2,65	3,02	8,00	9,50	0,62	1,99	2,85	2,82	9,20	13,05	95
	1.5+3.5+3.5+5.0	0,89	2,07	2,07	2,96	3,13	8,00	9,74	0,65	1,95	2,86	2,99	9,00	13,09	95
	1.5+3.5+3.5+6.0	0,83	1,93	1,93	3,31	3,39	8,00	9,81	0,57	1,95	2,88	2,70	9,00	13,20	95
	1.5+3.5+4.2+4.2	0,90	2,09	2,51	2,51	3,12	8,00	9,51	0,65	1,99	2,85	2,99	9,20	13,06	95
	1.5+3.5+4.2+5.0	0,85	1,97	2,37	2,82	3,38	8,00	9,75	0,57	1,95	2,86	2,70	9,00	13,09	95
	1.5+4.2+4.2+4.2	0,85	2,38	2,38	2,38	3,36	8,00	9,52	0,57	1,99	2,85	2,70	9,20	13,06	95
	2.0+2.0+2.0+2.0	1,85	1,85	1,85	1,85	2,39	7,40	8,10	0,52	1,77	2,09	2,36	8,20	9,57	95
	2.0+2.0+2.0+2.5	1,88	1,88	1,88	2,35	2,46	8,00	8,42	0,52	2,04	2,23	2,36	9,40	10,30	95
	2.0+2.0+2.0+3.5	1,68	1,68	1,68	2,95	2,58	8,00	8,80	0,55	2,03	2,41	2,53	9,40	11,10	95
	2.0+2.0+2.0+4.2	1,57	1,57	1,57	3,29	2,68	8,00	9,14	0,59	2,03	2,60	2,69	9,40	11,90	95
	2.0+2.0+2.0+5.0	1,45	1,45	1,45	3,64	2,79	8,00	9,39	0,59	1,99	2,67	2,69	9,10	12,30	95
	2.0+2.0+2.0+6.0	1,33	1,33	1,33	4,00	2,93	8,00	9,63	0,63	1,98	2,80	2,86	9,10	12,90	95
	2.0+2.0+2.0+7.1	1,22	1,22	1,22	4,34	3,08	8,00	9,74	0,63	1,98	2,87	2,86	9,10	13,20	95

4D139814B

4 Combination table

4 - 1 Combination Table

4MXM80A9

Cooling · 230V 50Hz

Outdoor unit	Indoor unit	Cooling capacity [kW]				Total capacity [kW]			Power input [kW]			Total current [A]			Power factor [%]
		Room · A	Room · B	Room · C	Room · D	Minimum	Nominal	Maximum	Minimum	Nominal	Maximum	Minimum	Nominal	Maximum	
	2.0+2.0+2.5+2.5	1,73	1,73	2,17	2,17	2,52	7,80	8,67	0,55	1,94	2,35	2,53	8,90	10,80	95
	2.0+2.0+2.5+3.5	1,60	1,60	2,00	2,80	2,65	8,00	9,04	0,55	2,03	2,54	2,53	9,30	11,70	95
	2.0+2.0+2.5+4.2	1,50	1,50	1,87	3,14	2,75	8,00	9,26	0,59	2,03	2,66	2,69	9,30	12,30	95
	2.0+2.0+2.5+5.0	1,39	1,39	1,74	3,48	2,86	8,00	9,51	0,59	1,98	2,74	2,69	9,10	12,60	95
	2.0+2.0+2.5+6.0	1,28	1,28	1,60	3,84	3,00	8,00	9,74	0,63	1,98	2,87	2,86	9,10	13,20	95
	2.0+2.0+2.5+7.1	1,18	1,18	1,47	4,18	3,15	8,00	9,86	0,66	1,98	2,94	3,03	9,10	13,50	95
	2.0+2.0+3.5+3.5	1,45	1,45	2,55	2,55	2,79	8,00	9,18	0,59	2,00	2,60	2,69	9,20	12,00	95
	2.0+2.0+3.5+4.2	1,37	1,37	2,39	2,87	2,89	8,00	9,51	0,62	2,00	2,79	2,82	9,20	12,90	95
	2.0+2.0+3.5+5.0	1,28	1,28	2,24	3,20	3,00	8,00	9,70	0,63	1,98	2,86	2,86	9,10	13,08	95
	2.0+2.0+3.5+6.0	1,19	1,19	2,07	3,56	3,13	8,00	9,77	0,66	1,95	2,87	3,03	9,00	13,20	95
	2.0+2.0+4.2+4.2	1,29	1,29	2,71	2,71	2,98	8,00	9,57	0,62	2,00	2,88	2,82	9,20	13,19	95
	2.0+2.0+4.2+5.0	1,21	1,21	2,55	3,03	3,09	8,00	9,71	0,65	1,98	2,86	2,99	9,10	13,08	95
	2.0+2.0+4.2+6.0	1,13	1,13	2,37	3,38	3,38	8,00	9,88	0,57	1,95	2,94	2,70	9,00	13,60	95
	2.0+2.0+5.0+5.0	1,14	1,14	2,86	2,86	3,20	8,00	9,87	0,65	1,94	2,88	2,99	8,90	13,30	95
	2.0+2.5+2.5+2.5	1,68	2,11	2,11	2,11	2,58	8,00	8,90	0,55	2,04	2,47	2,53	9,40	11,40	95
	2.0+2.5+2.5+3.5	1,52	1,90	1,90	2,67	2,72	8,00	9,27	0,59	2,03	2,66	2,69	9,30	12,30	95
	2.0+2.5+2.5+4.2	1,43	1,79	1,79	3,00	2,82	8,00	9,49	0,59	2,03	2,79	2,69	9,30	12,90	95
	2.0+2.5+2.5+5.0	1,33	1,67	1,67	3,33	2,93	8,00	9,62	0,63	1,98	2,80	2,86	9,10	12,90	95
	2.0+2.5+2.5+6.0	1,23	1,54	1,54	3,69	3,06	8,00	9,75	0,63	1,98	2,87	2,86	9,10	13,20	95
	2.0+2.5+2.5+7.1	1,13	1,42	1,42	4,03	3,38	8,00	9,87	0,57	1,98	2,94	2,70	9,10	13,50	95
	2.0+2.5+3.5+3.5	1,39	1,74	2,43	2,43	2,86	8,00	9,41	0,62	2,00	2,73	2,82	9,20	12,50	95
	2.0+2.5+3.5+4.2	1,31	1,64	2,30	2,75	2,95	8,00	9,47	0,62	2,00	2,85	2,82	9,20	13,04	95
	2.0+2.5+3.5+5.0	1,23	1,54	2,15	3,08	3,06	8,00	9,71	0,65	1,98	2,86	2,99	9,10	13,08	95
	2.0+2.5+3.5+6.0	1,14	1,43	2,00	3,43	3,20	8,00	9,89	0,66	1,95	2,94	3,03	9,00	13,60	95
	2.0+2.5+4.2+4.2	1,24	1,55	2,60	2,60	3,05	8,00	9,58	0,65	2,00	2,88	2,99	9,20	13,19	95
	2.0+2.5+4.2+5.0	1,17	1,46	2,45	2,92	3,16	8,00	9,72	0,65	1,98	2,89	2,99	9,10	13,24	95
	2.0+2.5+5.0+5.0	1,10	1,38	2,76	2,76	3,40	8,00	9,88	0,57	1,94	2,88	2,70	8,90	13,30	95
	2.0+3.5+3.5+3.5	1,28	2,24	2,24	2,24	3,00	8,00	9,44	0,62	1,99	2,73	2,82	9,20	12,60	95
	2.0+3.5+3.5+4.2	1,21	2,12	2,12	2,55	3,09	8,00	9,50	0,65	1,99	2,85	2,99	9,20	13,05	95
	2.0+3.5+3.5+5.0	1,14	2,00	2,00	2,86	3,20	8,00	9,74	0,65	1,95	2,90	2,99	9,00	13,25	95
	2.0+3.5+4.2+4.2	1,15	2,01	2,42	2,42	3,36	8,00	9,51	0,57	1,99	2,89	2,70	9,20	13,22	95
4MXM80M2V1B	2.5+2.5+2.5+2.5	2,00	2,00	2,00	2,00	2,65	8,00	9,03	0,55	2,03	2,53	2,53	9,40	11,70	95
4MXM80N2V1B9	2.5+2.5+2.5+3.5	1,82	1,82	1,82	2,55	2,79	8,00	9,33	0,59	2,03	2,65	2,69	9,30	12,11	95
4MXM80A2V1B	2.5+2.5+2.5+4.2	1,71	1,71	1,71	2,87	2,89	8,00	9,55	0,62	2,00	2,84	2,82	9,20	13,02	95
4MXM80A2V1B9	2.5+2.5+2.5+5.0	1,60	1,60	1,60	3,20	3,00	8,00	9,69	0,63	1,98	2,86	2,86	9,10	13,07	95
	2.5+2.5+2.5+6.0	1,48	1,48	1,48	3,56	3,13	8,00	9,87	0,66	1,98	2,94	3,03	9,10	13,50	95
	2.5+2.5+3.5+3.5	1,67	1,67	2,33	2,33	2,93	8,00	9,31	0,62	2,00	2,67	2,82	9,20	12,30	95
	2.5+2.5+3.5+4.2	1,57	1,57	2,20	2,65	3,02	8,00	9,48	0,62	2,00	2,85	2,82	9,20	13,04	95
	2.5+2.5+3.5+5.0	1,48	1,48	2,07	2,96	3,13	8,00	9,72	0,65	1,95	2,89	2,99	9,00	13,25	95
	2.5+2.5+3.5+6.0	1,38	1,38	1,93	3,31	3,38	8,00	9,90	0,57	1,95	2,94	2,70	9,00	13,60	95
	2.5+2.5+4.2+4.2	1,49	1,49	2,51	2,51	3,12	8,00	9,49	0,65	2,00	2,89	2,99	9,20	13,21	95
	2.5+2.5+4.2+5.0	1,41	1,41	2,37	2,82	3,38	8,00	9,73	0,57	1,95	2,89	2,70	9,00	13,25	95
	2.5+3.5+3.5+3.5	1,54	2,15	2,15	2,15	3,06	8,00	9,50	0,65	1,99	2,78	2,99	9,20	12,74	95
	2.5+3.5+3.5+4.2	1,46	2,04	2,04	2,45	3,16	8,00	9,51	0,65	1,99	2,89	2,99	9,20	13,22	95
	2.5+3.5+3.5+5.0	1,38	1,93	1,93	2,76	3,38	8,00	9,75	0,57	1,95	2,86	2,70	9,00	13,09	95
	2.5+3.5+4.2+4.2	1,39	1,94	2,33	2,33	3,36	8,00	9,52	0,57	1,99	2,89	2,70	9,20	13,22	95
	3.5+3.5+3.5+3.5	2,00	2,00	2,00	2,00	3,36	8,00	9,54	0,57	1,99	2,85	2,70	9,10	13,07	95

Notes

- The total capacity of each connected indoor unit is up to ·14.5·kW.
- The values mentioned in this document are for connecting with the following indoor unit types:
 ·1.5, 2.0, 2.5, 3.5, 4.2, 5.0, 6.0, 7.1· kW class
 Wall-mounted ·CTXA-AS, CTXA-AT, CTXA-AW, CTXA-BB, CTXA-BS, CTXA-BT, CTXM-M, CTXM-N, CTXM-R, FTXA-AS, FTXA-AT, FTXA-AW, FTXA-BB, FTXA-BS, FTXA-BT, FTXM-M, FTXM-N, FTXM-R, FTXJ-AB, FTXJ-AS, FTXJ-AW· series
- Cooling capacity conditions
 Indoor temperature ·27·°C DB / ·19·°C WB
 Outdoor temperature ·35·°C DB
- For additional information on the connection of the DHW generator for Multi and the Hybrid for Multi, see ·3D106169·.

4D139814B

4 Combination table

4 - 1 Combination Table

4MXM80A9

Heating • 230V 50Hz

Outdoor unit	Indoor unit	Heating capacity [kW]				Total capacity [kW]			Power input [kW]			Total current [A]			Power factor [%]
		Room -A-	Room -B-	Room -C-	Room -D-	Minimum	Nominal	Maximum	Minimum	Nominal	Maximum	Minimum	Nominal	Maximum	
4MXM80M2V1B 4MXM80N2V1B 4MXM80A2V1B9 4MXM80A2V1B 4MXM80A2V1B9	1.5	2,70	-	-	-	1,25	2,70	4,12	0,29	0,47	0,85	1,33	2,14	4,00	95
	2.0	3,00	-	-	-	1,28	3,00	4,27	0,30	0,52	0,90	1,38	2,38	4,20	95
	2.5	3,40	-	-	-	1,33	3,40	4,86	0,32	0,63	1,09	1,46	2,90	5,10	95
	3.5	4,31	-	-	-	1,45	4,31	5,31	0,33	0,94	1,27	1,51	4,40	5,83	95
	4.2	5,18	-	-	-	1,49	5,18	6,16	0,34	1,23	1,58	1,55	5,70	7,25	95
	5.0	6,15	-	-	-	1,86	6,15	7,51	0,43	1,52	2,04	1,95	7,00	9,40	95
	6.0	7,38	-	-	-	2,15	7,38	9,03	0,53	2,04	2,81	2,44	9,40	12,90	95
	7.1	8,74	-	-	-	2,45	8,74	9,39	0,57	2,69	3,00	2,62	12,40	13,80	95
	1.5+1.5	1,85	1,85	-	-	1,45	3,70	7,43	0,41	0,69	1,89	1,89	3,20	8,66	95
	1.5+2.0	1,84	2,46	-	-	1,51	4,30	7,85	0,41	0,85	2,06	1,89	3,90	9,42	95
	1.5+2.5	1,84	3,06	-	-	1,65	4,90	7,99	0,45	1,02	2,11	2,06	4,70	9,65	95
	1.5+3.5	1,83	4,27	-	-	1,94	6,10	8,61	0,52	1,40	2,37	2,37	6,40	10,90	95
	1.5+4.2	1,84	5,16	-	-	2,14	7,00	8,94	0,55	1,71	2,48	2,54	7,90	11,36	95
	1.5+5.0	1,85	6,15	-	-	2,38	8,00	10,44	0,50	1,98	3,02	2,28	9,10	13,82	95
	1.5+6.0	1,80	7,20	-	-	2,68	9,00	10,63	0,44	2,38	3,09	2,10	10,90	14,20	95
	1.5+7.1	1,67	7,93	-	-	3,01	9,60	10,71	0,50	2,62	3,12	2,40	12,00	14,26	95
	2.0+2.0	2,45	2,45	-	-	1,65	4,90	7,99	0,32	1,02	2,11	1,46	4,70	9,65	95
	2.0+2.5	2,44	3,06	-	-	1,80	5,50	8,22	0,35	1,20	2,18	1,59	5,50	10,10	95
	2.0+3.5	2,44	4,26	-	-	2,09	6,70	8,74	0,40	1,60	2,42	1,85	7,40	11,20	95
	2.0+4.2	2,45	5,15	-	-	2,28	7,60	9,07	0,44	1,93	2,53	2,02	8,90	11,59	95
	2.0+5.0	2,43	6,07	-	-	2,68	8,50	10,63	0,44	2,16	3,09	2,10	9,90	14,20	95
	2.0+6.0	2,33	6,98	-	-	2,84	9,30	10,83	0,47	2,50	3,19	2,20	11,50	14,59	95
	2.0+7.1	2,11	7,49	-	-	3,17	9,60	10,97	0,54	2,61	3,23	2,50	12,00	14,80	95
	2.5+2.5	3,05	3,05	-	-	1,94	6,10	8,53	0,39	1,39	2,33	1,76	6,40	10,66	95
	2.5+3.5	3,04	4,26	-	-	2,23	7,30	9,13	0,52	1,84	2,60	2,37	8,50	12,00	95
	2.5+4.2	3,06	5,14	-	-	2,44	8,20	9,41	0,54	2,16	2,67	2,45	9,90	12,30	95
	2.5+5.0	3,00	6,00	-	-	2,68	9,00	10,70	0,44	2,37	3,12	2,10	10,90	14,30	95
	2.5+6.0	2,82	6,78	-	-	3,00	9,60	10,97	0,50	2,61	3,24	2,40	12,00	14,83	95
	2.5+7.1	2,50	7,10	-	-	3,33	9,60	11,01	0,57	2,60	3,20	2,70	11,90	14,65	95
	3.5+3.5	4,25	4,25	-	-	2,52	8,50	9,56	0,55	2,37	2,84	2,54	10,90	12,99	95
	3.5+4.2	4,09	4,91	-	-	2,72	9,00	10,22	0,45	2,53	3,11	2,20	11,60	14,23	95
	3.5+5.0	3,91	5,59	-	-	3,01	9,50	10,96	0,50	2,60	3,26	2,40	12,00	14,90	95
	3.5+6.0	3,54	6,06	-	-	3,33	9,60	11,14	0,57	2,61	3,32	2,70	12,00	15,30	95
	3.5+7.1	3,17	6,43	-	-	3,65	9,60	11,15	0,64	2,60	3,30	3,00	11,90	15,20	95
	4.2+4.2	4,75	4,75	-	-	3,03	9,50	10,01	0,51	2,63	2,91	2,40	12,10	13,31	95
	4.2+5.0	4,38	5,22	-	-	3,16	9,60	11,00	0,53	2,57	3,19	2,50	11,80	14,59	95
	4.2+6.0	3,95	5,65	-	-	3,48	9,60	11,06	0,60	2,55	3,19	2,80	11,70	14,60	95
	4.2+7.1	3,57	6,03	-	-	3,80	9,60	11,07	0,66	2,54	3,17	3,10	11,70	14,60	95
	5.0+5.0	4,80	4,80	-	-	3,45	9,60	11,10	0,58	2,42	3,02	2,70	11,10	13,82	95
	5.0+6.0	4,36	5,24	-	-	3,77	9,60	11,15	0,64	2,41	3,02	3,00	11,10	13,90	95
	5.0+7.1	3,97	5,63	-	-	3,93	9,60	11,16	0,67	2,40	3,00	3,20	11,00	13,80	95
	6.0+6.0	4,80	4,80	-	-	3,93	9,60	11,10	0,67	2,40	2,99	3,20	11,00	13,67	95
	6.0+7.1	4,40	5,20	-	-	4,25	9,60	11,17	0,74	2,38	2,99	3,40	11,00	13,70	95
	7.1+7.1	4,80	4,80	-	-	4,56	9,60	11,25	0,80	2,37	3,02	3,80	10,90	13,80	95
	1.5+1.5+1.5	1,83	1,83	1,83	-	1,80	5,50	10,00	0,40	1,08	2,60	1,85	5,00	11,92	95
	1.5+1.5+2.0	1,83	1,83	2,44	-	1,94	6,10	10,14	0,41	1,24	2,65	1,89	5,70	12,14	95
	1.5+1.5+2.5	1,83	1,83	3,05	-	2,09	6,70	10,21	0,43	1,41	2,66	1,98	6,50	12,30	95
	1.5+1.5+3.5	1,85	1,85	4,31	-	2,38	8,00	10,34	0,47	1,84	2,72	2,15	8,50	12,50	95
	1.5+1.5+4.2	1,81	1,81	5,08	-	2,63	8,70	10,37	0,43	2,05	2,67	2,00	9,40	12,30	95
	1.5+1.5+5.0	1,74	1,74	5,81	-	2,94	9,30	10,49	0,47	2,16	2,58	2,20	9,90	11,79	95
	1.5+1.5+6.0	1,58	1,58	6,33	-	3,10	9,50	11,17	0,50	2,24	2,84	2,40	10,30	13,01	95
	1.5+1.5+7.1	1,43	1,43	6,75	-	3,42	9,60	11,17	0,56	2,25	2,83	2,60	10,30	12,95	95
	1.5+2.0+2.0	1,83	2,44	2,44	-	2,09	6,70	10,27	0,43	1,41	2,70	1,98	6,50	12,36	95
	1.5+2.0+2.5	1,83	2,43	3,04	-	2,23	7,30	10,41	0,45	1,61	2,75	2,06	7,40	12,59	95
	1.5+2.0+3.5	1,82	2,43	4,25	-	2,64	8,50	10,54	0,43	2,02	2,81	2,00	9,30	12,86	95
	1.5+2.0+4.2	1,75	2,34	4,91	-	2,80	9,00	10,58	0,46	2,16	2,73	2,20	9,90	12,51	95
	1.5+2.0+5.0	1,69	2,26	5,65	-	3,10	9,60	10,90	0,50	2,28	2,73	2,40	10,50	12,51	95
	1.5+2.0+6.0	1,52	2,02	6,06	-	3,26	9,60	11,17	0,53	2,25	2,83	2,50	10,40	12,97	95
	1.5+2.0+7.1	1,36	1,81	6,43	-	3,58	9,60	11,18	0,59	2,24	2,82	2,80	10,30	12,91	95
	1.5+2.5+2.5	1,85	3,08	3,08	-	2,38	8,00	10,55	0,47	1,82	2,80	2,15	8,40	12,81	95
	1.5+2.5+3.5	1,80	3,00	4,20	-	2,81	9,00	10,61	0,46	2,19	2,82	2,20	10,10	13,00	95
	1.5+2.5+4.2	1,76	2,93	4,92	-	2,96	9,60	10,64	0,48	2,39	2,76	2,30	11,00	12,70	95
	1.5+2.5+5.0	1,60	2,67	5,33	-	3,10	9,60	11,04	0,50	2,25	2,78	2,40	10,40	12,72	95
	1.5+2.5+6.0	1,44	2,40	5,76	-	3,42	9,60	11,18	0,56	2,24	2,82	2,60	10,30	12,93	95
	1.5+2.5+7.1	1,30	2,16	6,14	-	3,74	9,60	11,18	0,62	2,23	2,81	2,90	10,30	12,87	95
	1.5+3.5+3.5	1,69	3,95	3,95	-	2,97	9,60	10,68	0,49	2,44	2,86	2,30	11,20	13,08	95
	1.5+3.5+4.2	1,57	3,65	4,38	-	3,28	9,60	10,84	0,54	2,39	2,86	2,60	11,00	13,10	95
	1.5+3.5+5.0	1,44	3,36	4,80	-	3,42	9,60	10,97	0,56	2,25	2,74	2,70	10,40	12,60	95
	1.5+3.5+6.0	1,31	3,05	5,24	-	3,74	9,60	11,18	0,62	2,24	2,82	2,90	10,30	12,93	95
	1.5+3.5+7.1	1,19	2,78	5,63	-	4,06	9,60	11,18	0,68	2,23	2,81	3,20	10,30	12,87	95
1.5+4.2+4.2	1,45	4,07	4,07	-	3,44	9,60	10,80	0,57	2,35	2,77	2,70	10,80	12,70	95	
1.5+4.2+5.0	1,35	3,77	4,49	-	3,57	9,60	11,05	0,59	2,22	2,73	2,80	10,20	12,51	95	
1.5+4.2+6.0	1,23	3,45	4,92	-	3,89	9,60	11,26	0,64	2,21	2,79	3,00	10,10	12,90	95	
1.5+4.2+7.1	1,13	3,15	5,33	-	4,21	9,60	11,26	0,70	2,20	2,78	3,30	10,10	12,80	95	
1.5+5.0+5.0	1,25	4,17	4,17	-	3,88	9,60	11,15	0,63	2,13	2,64	3,00	9,80	12,10	95	
1.5+5.0+6.0	1,15	3,84	4,61	-	4,20	9,60	11,29	0,69	2,12	2,68	3,20	9,70	12,30	95	
1.5+5.0+7.1	1,06	3,53	5,01	-	4,35	9,60	11,43	0,72	2,11	2,72	3,30	9,70	12,50	95	
1.5+6.0+6.0	1,07	4,27	4,27	-	4,35	9,60	11,56	0,72	2,11	2,77	3,30	9,70	12,80	95	
2.0+2.0+2.0	2,50	2,50	2,50	-	2,23	7,50	10,48	0,45	1,67	2,77	2,06	7,70	12,70	95	
2.0+2.0+2.5	2,46	2,46	3,08	-	2,38	8,00	10,55	0,47	1,83	2,80	2,15	8,40	12,81	95	
2.0+2.0+3.5	2,40	2,40	4,20	-	2,81	9,00	10,68	0,46	2,19	2,86	2,20	10,10	13,08	95	
2.0+2.0+4.2	2,29	2,29	4,81	-	2,96	9,40	10,71	0,48	2,30	2,80	2,30	10,60	12,83	95	
2.0+2.0+5.0	2,13	2,13	5,33	-	3,10	9,60	10,90	0,50	2,25	2,72	2,40	10,40	12,47	95	
2.0+2.0+6.0	1,92	1,92	5,76	-	3,42	9,60	11,18	0,56	2,24	2,82	2,60	10,30	12,93	95	
2.0+2.0+7.1	1,73	1,73	6,14	-	3,74	9,60	11,18	0,62	2,23	2,81	2,90	10,30	12,87	95	
2.0+2.5+2.5	2,43	3,04	3,04	-											

4 Combination table

4 - 1 Combination Table

4MXM80A9

Heating · 230V 50Hz

Outdoor unit	Indoor unit	Heating capacity [kW]				Total capacity [kW]			Power input [kW]			Total current [A]			Power factor [%]
		Room -A-	Room -B-	Room -C-	Room -D-	Minimum	Nominal	Maximum	Minimum	Nominal	Maximum	Minimum	Nominal	Maximum	
	2.0+3.5+4.2	1.98	3.46	4.16	-	3.28	9.60	10.85	0.54	2.38	2.83	2.60	11.00	12.95	95
	2.0+3.5+5.0	1.83	3.20	4.57	-	3.58	9.60	11.24	0.59	2.25	2.84	2.80	10.30	13.10	95
	2.0+3.5+6.0	1.67	2.92	5.01	-	3.90	9.60	11.24	0.65	2.24	2.83	3.00	10.30	13.00	95
	2.0+3.5+7.1	1.52	2.67	5.41	-	4.22	9.60	11.25	0.71	2.23	2.82	3.30	10.20	13.00	95
	2.0+4.2+4.2	1.85	3.88	3.88	-	3.60	9.60	10.80	0.60	2.34	2.76	2.80	10.70	12.70	95
	2.0+4.2+5.0	1.71	3.60	4.29	-	3.73	9.60	10.99	0.61	2.21	2.69	2.90	10.20	12.40	95
	2.0+4.2+6.0	1.57	3.30	4.72	-	4.05	9.60	11.26	0.67	2.20	2.78	3.20	10.10	12.80	95
	2.0+4.2+7.1	1.44	3.03	5.12	-	4.37	9.60	11.26	0.74	2.19	2.77	3.40	10.10	12.80	95
	2.0+5.0+5.0	1.60	4.00	4.00	-	4.04	9.60	11.09	0.66	2.12	2.61	3.10	9.70	11.96	95
	2.0+5.0+6.0	1.48	3.69	4.43	-	4.19	9.60	11.29	0.69	2.11	2.67	3.20	9.70	12.30	95
	2.0+5.0+7.1	1.36	3.40	4.83	-	4.51	9.60	11.37	0.75	2.10	2.70	3.50	9.70	12.35	95
	2.0+6.0+6.0	1.37	4.11	4.11	-	4.51	9.60	11.50	0.75	2.11	2.75	3.50	9.70	12.60	95
	2.5+2.5+2.5	3.20	3.20	3.20	-	2.80	9.60	10.69	0.46	2.42	2.84	2.20	11.10	12.98	95
	2.5+2.5+3.5	2.82	2.82	3.95	-	2.97	9.60	10.96	0.49	2.42	2.96	2.30	11.10	13.53	95
	2.5+2.5+4.2	2.61	2.61	4.38	-	3.28	9.60	11.04	0.54	2.37	2.92	2.60	10.90	13.40	95
	2.5+2.5+5.0	2.40	2.40	4.80	-	3.42	9.60	11.11	0.56	2.24	2.78	2.60	10.30	12.80	95
	2.5+2.5+6.0	2.18	2.18	5.24	-	3.74	9.60	11.24	0.62	2.23	2.82	2.90	10.30	13.00	95
	2.5+2.5+7.1	1.98	1.98	5.63	-	4.06	9.60	11.25	0.68	2.22	2.81	3.20	10.20	12.90	95
	2.5+3.5+3.5	2.53	3.54	3.54	-	3.29	9.60	11.15	0.55	2.42	3.03	2.60	11.10	14.00	95
	2.5+3.5+4.2	2.35	3.29	3.95	-	3.44	9.60	11.19	0.57	2.37	2.95	2.70	10.90	13.52	95
	2.5+3.5+5.0	2.18	3.05	4.36	-	3.74	9.60	11.21	0.62	2.24	2.80	2.90	10.30	12.83	95
	2.5+3.5+6.0	2.00	2.80	4.80	-	3.90	9.60	11.24	0.65	2.23	2.82	3.00	10.30	13.00	95
	2.5+3.5+7.1	1.83	2.56	5.20	-	4.22	9.60	11.25	0.71	2.22	2.81	3.30	10.20	12.90	95
	2.5+4.2+4.2	2.20	3.70	3.70	-	3.76	9.60	11.07	0.63	2.33	2.86	2.90	10.70	13.20	95
	2.5+4.2+5.0	2.05	3.45	4.10	-	3.89	9.60	11.12	0.64	2.20	2.73	3.00	10.10	12.60	95
	2.5+4.2+6.0	1.89	3.17	4.54	-	4.21	9.60	11.26	0.70	2.19	2.77	3.30	10.10	12.80	95
	2.5+4.2+7.1	1.74	2.92	4.94	-	4.53	9.60	11.27	0.77	2.18	2.76	3.60	10.00	12.70	95
	2.5+5.0+5.0	1.92	3.84	3.84	-	4.20	9.60	11.09	0.69	2.11	2.61	3.20	9.70	11.92	95
	2.5+5.0+6.0	1.78	3.56	4.27	-	4.35	9.60	11.29	0.72	2.11	2.66	3.30	9.70	12.30	95
	2.5+6.0+6.0	1.66	3.97	3.97	-	4.67	9.60	11.51	0.78	2.10	2.75	3.60	9.70	12.57	95
	3.5+3.5+3.5	3.20	3.20	3.20	-	3.61	9.60	11.15	0.61	2.42	3.03	2.90	11.10	14.00	95
	3.5+3.5+4.2	3.00	3.00	3.60	-	3.76	9.60	11.17	0.64	2.37	2.98	3.00	10.90	13.70	95
	3.5+3.5+5.0	2.80	2.80	4.00	-	3.90	9.60	11.21	0.65	2.24	2.80	3.00	10.30	12.83	95
	3.5+3.5+6.0	2.58	2.58	4.43	-	4.22	9.60	11.24	0.71	2.23	2.82	3.30	10.30	13.00	95
	3.5+3.5+7.1	2.38	2.38	4.83	-	4.54	9.60	11.25	0.77	2.22	2.81	3.60	10.20	12.90	95
	3.5+4.2+4.2	2.82	3.39	3.39	-	3.92	9.60	10.81	0.66	2.33	2.75	3.10	10.70	12.60	95
	3.5+4.2+5.0	2.65	3.17	3.78	-	4.21	9.60	10.99	0.71	2.20	2.68	3.30	10.10	12.30	95
	3.5+4.2+6.0	2.45	2.94	4.20	-	4.37	9.60	11.26	0.74	2.19	2.77	3.40	10.10	12.80	95
	3.5+5.0+5.0	2.49	3.56	3.56	-	4.35	9.60	11.09	0.72	2.11	2.61	3.30	9.70	11.92	95
	3.5+5.0+6.0	2.32	3.31	3.97	-	4.67	9.60	11.37	0.78	2.11	2.70	3.60	9.70	12.36	95
	4.2+4.2+4.2	3.20	3.20	3.20	-	4.23	9.60	10.83	0.72	2.29	2.70	3.30	10.50	12.40	95
	4.2+4.2+5.0	3.01	3.01	3.58	-	4.37	9.60	11.00	0.73	2.17	2.63	3.40	10.00	12.10	95
	4.2+4.2+6.0	2.80	2.80	4.00	-	4.68	9.60	11.28	0.79	2.16	2.73	3.70	9.90	12.60	95
	4.2+5.0+5.0	2.84	3.38	3.38	-	4.67	9.60	11.10	0.77	2.09	2.57	3.60	9.60	11.76	95
	1.5+1.5+1.5+1.5	1.83	1.83	1.83	1.83	2.23	7.30	10.10	0.39	1.46	2.30	1.76	6.70	10.54	95
	1.5+1.5+1.5+2.0	1.85	1.85	1.85	2.46	2.38	8.00	10.32	0.39	1.64	2.36	1.81	7.60	10.90	95
	1.5+1.5+1.5+2.5	1.82	1.82	1.82	3.04	2.58	8.50	10.39	0.41	1.80	2.39	2.00	8.30	10.94	95
	1.5+1.5+1.5+3.5	1.74	1.74	1.74	4.07	2.91	9.30	10.60	0.46	2.05	2.46	2.20	9.40	11.30	95
	1.5+1.5+1.5+4.2	1.66	1.66	1.66	4.63	3.06	9.60	11.23	0.49	2.12	2.67	2.30	9.70	12.20	95
	1.5+1.5+1.5+5.0	1.52	1.52	1.52	5.05	3.37	9.60	11.30	0.53	2.05	2.59	2.50	9.40	11.90	95
	1.5+1.5+1.5+6.0	1.37	1.37	1.37	5.49	3.53	9.60	11.51	0.56	2.04	2.67	2.70	9.40	12.21	95
	1.5+1.5+1.5+7.1	1.24	1.24	1.24	5.88	3.85	9.60	11.57	0.62	2.04	2.67	2.90	9.40	12.30	95
	1.5+1.5+2.0+2.0	1.82	1.82	2.43	2.43	2.58	8.50	10.53	0.41	1.80	2.44	2.00	8.30	11.18	95
	1.5+1.5+2.0+2.5	1.80	1.80	2.40	3.00	2.74	9.00	10.60	0.44	1.95	2.45	2.10	9.00	11.30	95
	1.5+1.5+2.0+3.5	1.69	1.69	2.26	3.95	3.07	9.60	10.67	0.49	2.14	2.49	2.30	9.90	11.38	95
	1.5+1.5+2.0+4.2	1.57	1.57	2.09	4.38	3.23	9.60	11.23	0.51	2.11	2.66	2.40	9.70	12.16	95
	1.5+1.5+2.0+5.0	1.44	1.44	1.92	4.80	3.37	9.60	11.30	0.53	2.05	2.58	2.50	9.40	11.90	95
	1.5+1.5+2.0+6.0	1.31	1.31	1.75	5.24	3.69	9.60	11.51	0.59	2.04	2.66	2.80	9.40	12.18	95
	1.5+1.5+2.0+7.1	1.19	1.19	1.59	5.63	4.01	9.60	11.57	0.64	2.03	2.67	3.00	9.40	12.30	95
	1.5+1.5+2.5+2.5	1.80	1.80	3.00	3.00	2.90	9.60	10.60	0.46	2.14	2.44	2.20	9.80	11.30	95
	1.5+1.5+2.5+3.5	1.60	1.60	2.67	3.73	3.23	9.60	11.22	0.52	2.14	2.69	2.40	9.80	12.31	95
	1.5+1.5+2.5+4.2	1.48	1.48	2.47	4.16	3.39	9.60	11.23	0.54	2.11	2.65	2.60	9.70	12.13	95
	1.5+1.5+2.5+5.0	1.37	1.37	2.29	4.57	3.53	9.60	11.30	0.56	2.04	2.58	2.60	9.40	11.90	95
	1.5+1.5+2.5+6.0	1.25	1.25	2.09	5.01	3.85	9.60	11.51	0.61	2.04	2.66	2.90	9.40	12.15	95
	1.5+1.5+2.5+7.1	1.14	1.14	1.90	5.41	4.17	9.60	11.57	0.67	2.03	2.66	3.20	9.30	12.30	95
	1.5+1.5+3.5+3.5	1.44	1.44	3.36	3.36	3.39	9.60	11.22	0.55	2.14	2.69	2.60	9.80	12.31	95
	1.5+1.5+3.5+4.2	1.35	1.35	3.14	3.77	3.55	9.60	11.23	0.57	2.11	2.65	2.70	9.70	12.13	95
	1.5+1.5+3.5+5.0	1.25	1.25	2.92	4.17	3.86	9.60	11.30	0.62	2.04	2.58	2.90	9.40	11.90	95
	1.5+1.5+3.5+6.0	1.15	1.15	2.69	4.61	4.18	9.60	11.51	0.67	2.04	2.66	3.20	9.40	12.15	95
	1.5+1.5+3.5+7.1	1.06	1.06	2.47	5.01	4.49	9.60	11.65	0.73	2.03	2.70	3.40	9.30	12.35	95
	1.5+1.5+4.2+4.2	1.26	1.26	3.54	3.54	3.87	9.60	11.23	0.62	2.08	2.61	2.90	9.60	11.97	95
	1.5+1.5+4.2+5.0	1.18	1.18	3.30	3.93	4.01	9.60	11.37	0.64	2.02	2.58	3.00	9.30	11.82	95
	1.5+1.5+4.2+6.0	1.09	1.09	3.05	4.36	4.33	9.60	11.57	0.70	2.02	2.64	3.30	9.30	12.20	95
	1.5+1.5+4.2+7.1	1.01	1.01	2.82	4.77	4.65	9.60	11.66	0.76	2.01	2.67	3.50	9.30	12.24	95
	1.5+1.5+5.0+5.0	1.11	1.11	3.69	3.69	4.32	9.60	11.49	0.69	1.98	2.57	3.20	9.10	11.77	95
	1.5+1.5+5.0+6.0	1.03	1.03	3.43	4.11	4.48	9.60	11.76	0.72	1.98	2.67	3.30	9.10	12.20	95
	1.5+2.0+2.0+2.0	1.90	2.53	2.53	2.53	2.74	9.50	10.67	0.44	2.12	2.49	2.10	9.80	11.38	95
	1.5+2.0+2.0+2.5	1.80	2.40	2.40	3.00	2.90	9.60	10.81	0.46	2.14	2.53	2.20	9.80	11.58	95
	1.5+2.0+2.0+3.5	1.60	2.13	2.13	3.73	3.23	9.60	11.22	0.52	2.14					

4 Combination table

4 - 1 Combination Table

4MXM80A9

Heating · 230V 50Hz

Outdoor unit	Indoor unit	Heating capacity [kW]				Total capacity [kW]			Power input [kW]			Total current [A]			Power factor [%]	
		Room -A-	Room -B-	Room -C-	Room -D-	Minimum	Nominal	Maximum	Minimum	Nominal	Maximum	Minimum	Nominal	Maximum		
4MXM80M2V1B	1.5+2.0+3.5+7.1	1,02	1,36	2,38	4,83	4,49	9,60	11,65	0,73	2,03	2,69	3,40	9,30	12,33	95	
	1.5+2.0+4.2+4.2	1,21	1,61	3,39	3,39	4,03	9,60	11,24	0,65	2,08	2,61	3,10	9,60	11,94	95	
	1.5+2.0+4.2+5.0	1,13	1,51	3,17	3,78	4,17	9,60	11,37	0,67	2,02	2,58	3,10	9,30	11,80	95	
	1.5+2.0+4.2+6.0	1,05	1,40	2,94	4,20	4,49	9,60	11,57	0,73	2,01	2,64	3,40	9,30	12,10	95	
	1.5+2.0+5.0+5.0	1,07	1,42	3,56	3,56	4,32	9,60	11,48	0,69	1,98	2,57	3,20	9,10	11,75	95	
	1.5+2.0+5.0+6.0	0,99	1,32	3,31	3,97	4,63	9,60	11,75	0,75	1,99	2,66	3,50	9,20	12,18	95	
	1.5+2.5+2.5+2.5	1,60	2,67	2,67	2,67	3,23	9,60	11,15	0,52	2,13	2,64	2,40	9,80	12,10	95	
	1.5+2.5+2.5+3.5	1,44	2,40	2,40	3,36	3,39	9,60	11,15	0,54	2,13	2,64	2,60	9,80	12,10	95	
	1.5+2.5+2.5+4.2	1,35	2,24	2,24	3,77	3,55	9,60	11,23	0,57	2,10	2,64	2,70	9,60	12,07	95	
	1.5+2.5+2.5+5.0	1,25	2,09	2,09	4,17	3,85	9,60	11,30	0,61	2,03	2,56	2,90	9,40	11,80	95	
	1.5+2.5+2.5+6.0	1,15	1,92	1,92	4,61	4,17	9,60	11,51	0,67	2,03	2,64	3,20	9,30	12,10	95	
	4MXM80N2V1B	1.5+2.5+2.5+7.1	1,06	1,76	1,76	5,01	4,49	9,60	11,57	0,73	2,02	2,65	3,40	9,30	12,20	95
	4MXM80N2V1B9	1.5+2.5+3.5+3.5	1,31	2,18	3,05	3,05	3,72	9,60	11,22	0,60	2,13	2,67	2,80	9,80	12,24	95
	4MXM80A2V1B	1.5+2.5+3.5+4.2	1,23	2,05	2,87	3,45	3,87	9,60	11,23	0,63	2,10	2,64	2,90	9,60	12,07	95
	4MXM80A2V1B9	1.5+2.5+3.5+5.0	1,15	1,92	2,69	3,84	4,17	9,60	11,30	0,67	2,03	2,56	3,20	9,40	11,80	95
		1.5+2.5+3.5+6.0	1,07	1,78	2,49	4,27	4,33	9,60	11,51	0,70	2,03	2,64	3,30	9,30	12,10	95
		1.5+2.5+4.2+4.2	1,16	1,94	3,25	3,25	4,02	9,60	11,24	0,65	2,07	2,60	3,00	9,50	11,91	95
		1.5+2.5+4.2+5.0	1,09	1,82	3,05	3,64	4,33	9,60	11,37	0,70	2,01	2,57	3,30	9,30	11,78	95
		1.5+2.5+4.2+6.0	1,01	1,69	2,84	4,06	4,65	9,60	11,57	0,75	2,01	2,63	3,50	9,30	12,10	95
		1.5+2.5+5.0+5.0	1,03	1,71	3,43	3,43	4,48	9,60	11,48	0,72	1,98	2,56	3,30	9,10	11,73	95
		1.5+3.5+3.5+3.5	1,20	2,80	2,80	2,80	4,04	9,60	11,22	0,66	2,13	2,67	3,10	9,80	12,24	95
		1.5+3.5+3.5+4.2	1,13	2,65	2,65	3,17	4,19	9,60	11,23	0,68	2,10	2,64	3,20	9,60	12,07	95
		1.5+3.5+3.5+5.0	1,07	2,49	2,49	3,56	4,33	9,60	11,37	0,70	2,03	2,60	3,30	9,40	11,90	95
		1.5+3.5+3.5+6.0	0,99	2,32	2,32	3,97	4,65	9,60	11,57	0,76	2,03	2,66	3,50	9,30	12,20	95
		1.5+3.5+4.2+4.2	1,07	2,51	3,01	3,01	4,34	9,60	11,24	0,71	2,07	2,60	3,30	9,50	11,91	95
		1.5+3.5+4.2+5.0	1,01	2,37	2,84	3,38	4,65	9,60	11,37	0,76	2,01	2,57	3,50	9,30	11,78	95
		1.5+4.2+4.2+4.2	1,02	2,86	2,86	2,86	4,50	9,60	11,24	0,73	2,05	2,57	3,40	9,40	11,76	95
		2.0+2.0+2.0+2.0	2,40	2,40	2,40	2,40	2,90	9,60	10,88	0,46	2,10	2,55	2,20	9,60	11,70	95
		2.0+2.0+2.0+2.5	2,26	2,26	2,26	2,82	3,07	9,60	10,95	0,49	2,13	2,58	2,30	9,80	11,79	95
		2.0+2.0+2.0+3.5	2,02	2,02	2,02	3,54	3,23	9,60	11,15	0,52	2,13	2,64	2,40	9,80	12,20	95
		2.0+2.0+2.0+4.2	1,88	1,88	1,88	3,95	3,55	9,60	11,23	0,57	2,10	2,64	2,70	9,70	12,10	95
		2.0+2.0+2.0+5.0	1,75	1,75	1,75	4,36	3,69	9,60	11,30	0,59	2,04	2,57	2,80	9,40	11,90	95
		2.0+2.0+2.0+6.0	1,60	1,60	1,60	4,80	4,01	9,60	11,51	0,64	2,03	2,65	3,00	9,40	12,13	95
		2.0+2.0+2.0+7.1	1,47	1,47	1,47	5,20	4,33	9,60	11,57	0,70	2,03	2,66	3,30	9,30	12,20	95
		2.0+2.0+2.5+2.5	2,13	2,13	2,67	2,67	3,23	9,60	11,15	0,52	2,13	2,64	2,40	9,80	12,10	95
		2.0+2.0+2.5+3.5	1,92	1,92	2,40	3,36	3,39	9,60	11,15	0,54	2,13	2,64	2,60	9,80	12,10	95
		2.0+2.0+2.5+4.2	1,79	1,79	2,24	3,77	3,55	9,60	11,23	0,57	2,10	2,64	2,70	9,60	12,07	95
		2.0+2.0+2.5+5.0	1,67	1,67	2,09	4,17	3,85	9,60	11,30	0,61	2,03	2,57	2,90	9,40	11,80	95
		2.0+2.0+2.5+6.0	1,54	1,54	1,92	4,61	4,17	9,60	11,51	0,67	2,03	2,64	3,20	9,30	12,10	95
		2.0+2.0+2.5+7.1	1,41	1,41	1,76	5,01	4,49	9,60	11,57	0,73	2,02	2,65	3,40	9,30	12,20	95
	2.0+2.0+3.5+3.5	1,75	1,75	3,05	3,05	3,72	9,60	11,22	0,60	2,13	2,67	2,80	9,80	12,24	95	
	2.0+2.0+3.5+4.2	1,64	1,64	2,87	3,45	3,87	9,60	11,23	0,63	2,10	2,64	2,90	9,60	12,07	95	
	2.0+2.0+3.5+5.0	1,54	1,54	2,69	3,84	4,17	9,60	11,30	0,67	2,03	2,57	3,20	9,40	11,80	95	
	2.0+2.0+3.5+6.0	1,42	1,42	2,49	4,27	4,33	9,60	11,51	0,70	2,03	2,64	3,30	9,30	12,10	95	
	2.0+2.0+4.2+4.2	1,55	1,55	3,25	3,25	4,02	9,60	11,24	0,65	2,07	2,60	3,00	9,50	11,91	95	
	2.0+2.0+4.2+5.0	1,45	1,45	3,05	3,64	4,33	9,60	11,37	0,70	2,01	2,57	3,30	9,30	11,78	95	
	2.0+2.0+4.2+6.0	1,35	1,35	2,84	4,06	4,65	9,60	11,57	0,75	2,01	2,63	3,50	9,30	12,10	95	
	2.0+2.0+5.0+5.0	1,37	1,37	3,43	3,43	4,48	9,60	11,48	0,72	1,98	2,56	3,30	9,10	11,74	95	
	2.0+2.5+2.5+2.5	2,02	2,53	2,53	2,53	3,23	9,60	11,15	0,52	2,12	2,63	2,40	9,80	12,10	95	
	2.0+2.5+2.5+3.5	1,83	2,29	2,29	3,20	3,55	9,60	11,15	0,57	2,12	2,63	2,70	9,80	12,10	95	
	2.0+2.5+2.5+4.2	1,71	2,14	2,14	3,60	3,71	9,60	11,16	0,60	2,09	2,59	2,80	9,60	11,90	95	
	2.0+2.5+2.5+5.0	1,60	2,00	2,00	4,00	4,01	9,60	11,30	0,64	2,03	2,56	3,00	9,30	11,80	95	
	2.0+2.5+2.5+6.0	1,48	1,85	1,85	4,43	4,17	9,60	11,51	0,67	2,02	2,64	3,10	9,30	12,08	95	
	2.0+2.5+2.5+7.1	1,36	1,70	1,70	4,83	4,49	9,60	11,57	0,73	2,02	2,65	3,40	9,30	12,20	95	
	2.0+2.5+3.5+3.5	1,67	2,09	2,92	2,92	3,88	9,60	11,23	0,63	2,12	2,67	2,90	9,80	12,20	95	
	2.0+2.5+3.5+4.2	1,57	1,97	2,75	3,30	4,03	9,60	11,23	0,65	2,09	2,63	3,10	9,60	12,04	95	
	2.0+2.5+3.5+5.0	1,48	1,85	2,58	3,69	4,17	9,60	11,30	0,67	2,03	2,56	3,20	9,30	11,80	95	
	2.0+2.5+3.5+6.0	1,37	1,71	2,40	4,11	4,49	9,60	11,51	0,73	2,02	2,64	3,40	9,30	12,08	95	
	2.0+2.5+4.2+4.2	1,49	1,86	3,13	3,13	4,18	9,60	11,24	0,68	2,07	2,60	3,20	9,50	11,88	95	
	2.0+2.5+4.2+5.0	1,40	1,75	2,94	3,50	4,49	9,60	11,37	0,73	2,01	2,57	3,40	9,30	11,76	95	
	2.0+2.5+5.0+5.0	1,32	1,66	3,31	3,31	4,63	9,60	11,48	0,75	1,99	2,56	3,50	9,20	11,72	95	
	2.0+3.5+3.5+3.5	1,54	2,69	2,69	2,69	4,20	9,60	11,23	0,69	2,12	2,67	3,20	9,80	12,20	95	
	2.0+3.5+3.5+4.2	1,45	2,55	2,55	3,05	4,35	9,60	11,23	0,71	2,09	2,63	3,30	9,60	12,04	95	
	2.0+3.5+3.5+5.0	1,37	2,40	2,40	3,43	4,49	9,60	11,37	0,73	2,03	2,60	3,40	9,30	11,88	95	
	2.0+3.5+4.2+4.2	1,38	2,42	2,90	2,90	4,50	9,60	11,24	0,74	2,07	2,60	3,40	9,50	11,88	95	
	2.5+2.5+2.5+2.5	2,40	2,40	2,40	2,40	3,39	9,60	11,16	0,54	2,11	2,62	2,60	9,70	12,10	95	
	2.5+2.5+2.5+3.5	2,18	2,18	2,18	3,05	3,71	9,60	11,16	0,60	2,11	2,62	2,80	9,70	12,10	95	
	2.5+2.5+2.5+4.2	2,05	2,05	2,05	3,45	3,87	9,60	11,16	0,62	2,09	2,59	2,90	9,60	11,90	95	
	2.5+2.5+2.5+5.0	1,92	1,92	1,92	3,84	4,17	9,60	11,30	0,67	2,03	2,55	3,10	9,30	11,80	95	
	2.5+2.5+2.5+6.0	1,78	1,78	1,78	4,27	4,33	9,60	11,51	0,70	2,02	2,63	3,30	9,30	12,05	95	
	2.5+2.5+3.5+3.5	2,00	2,00	2,80	2,80	4,03	9,60	11,23	0,66	2,11	2,66	3,10	9,70	12,17	95	
	2.5+2.5+3.5+4.2	1,89	1,89	2,65	3,17	4,19	9,60	11,23	0,68	2,09	2,62	3,20	9,60	12,00	95	
	2.5+2.5+3.5+5.0	1,78	1,78	2,49	3,56	4,33	9,60	11,30	0,70	2,03	2,55	3,30	9,30	11,80	95	
	2.5+2.5+3.5+6.0	1,66	1,66	2,32	3,97	4,65	9,60	11,51	0,76	2,02	2,63	3,50	9,30	12,05	95	
	2.5+2.5+4.2+4.2	1,79	1,79	3,01	3,01	4,34	9,60	11,24	0,71	2,06	2,59	3,30	9,50	11,85	95	
	2.5+2.5+4.2+5.0	1,69	1,69	2,84	3,38	4,65	9,60	11,37	0,75	2,01	2,56	3,50	9,20	11,73	95	
	2.5+3.5+3.5+3.5	1,85	2,58	2,58	2,58	4,20	9,									

5 Capacity tables

5 - 1 Capacity Table Legend

In order to fulfill more your requirements on quick access of data in the format you require, we have developed a tool to consult capacity tables.

Below you can find the link to the capacity table database and an overview of all the tools we have to help you select the correct product:

- **Capacity table database:** lets you find back and export quickly the capacity information you are looking for based upon unit model, refrigerant temperature and connection ratio.
- You can access the capacity table viewer here:
https://my.daikin.eu/content/denv/en_US/home/applications/software-finder/capacity-table-viewer.html



- An overview of **all software tools** that we offer can be found here:
https://my.daikin.eu/denv/en_US/home/applications/software-finder.html

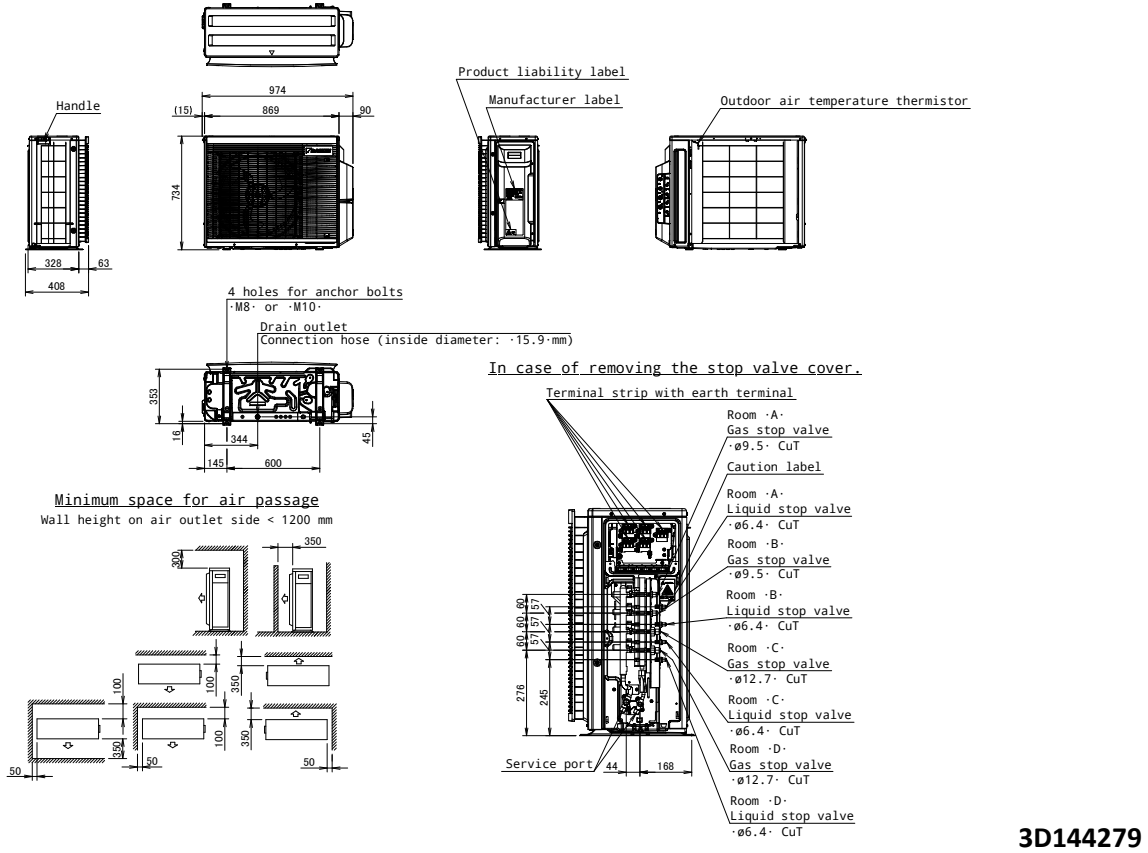


6 Dimensional drawings

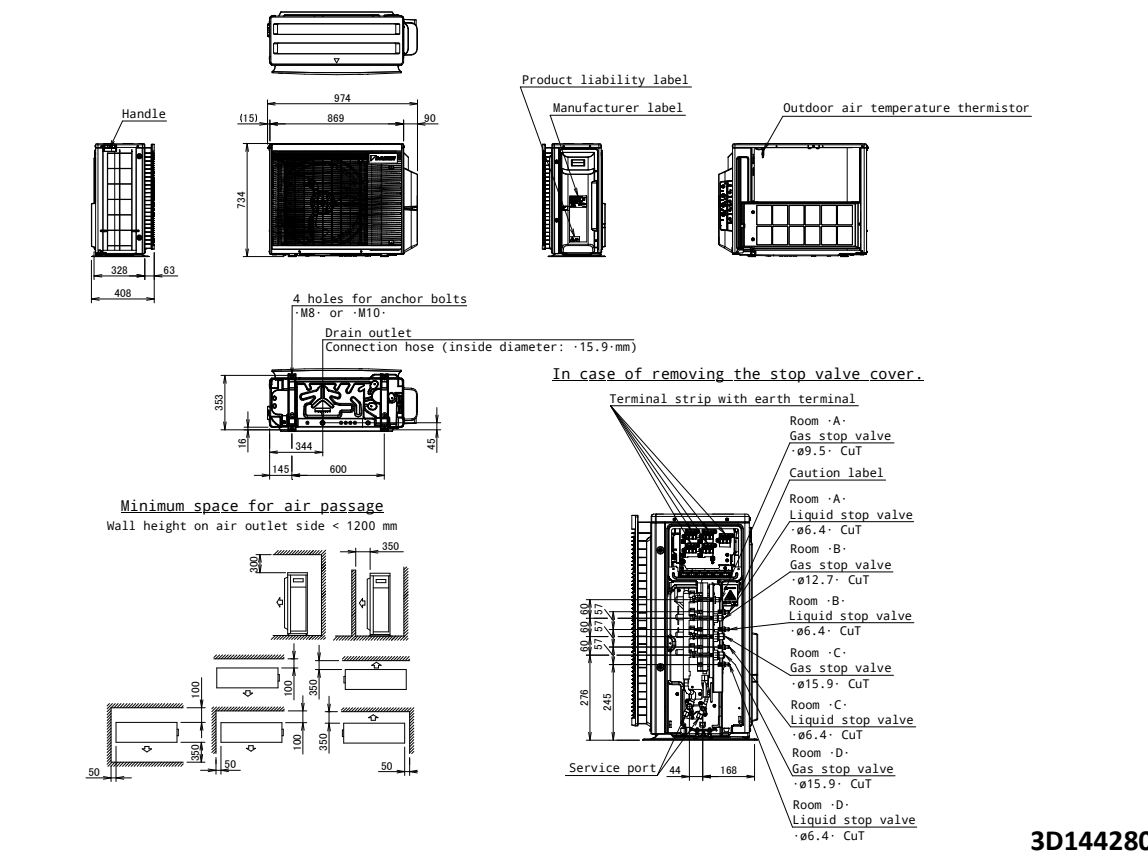
6 - 1 Dimensional Drawings

6

4MXM68A9



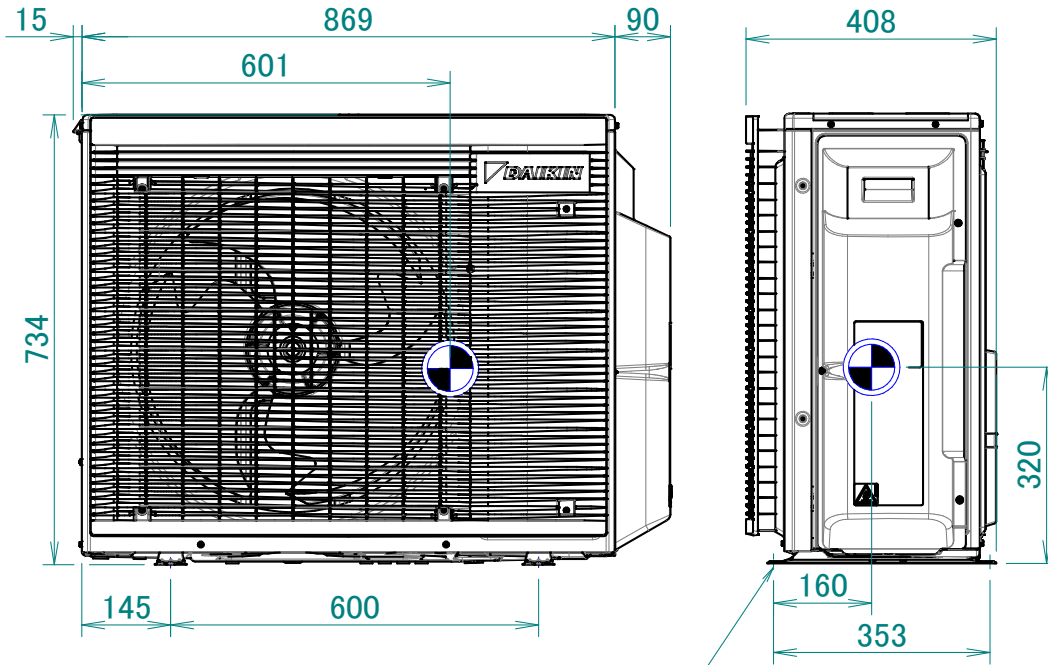
4MXM80A9



7 Centre of gravity

7 - 1 Centre of Gravity

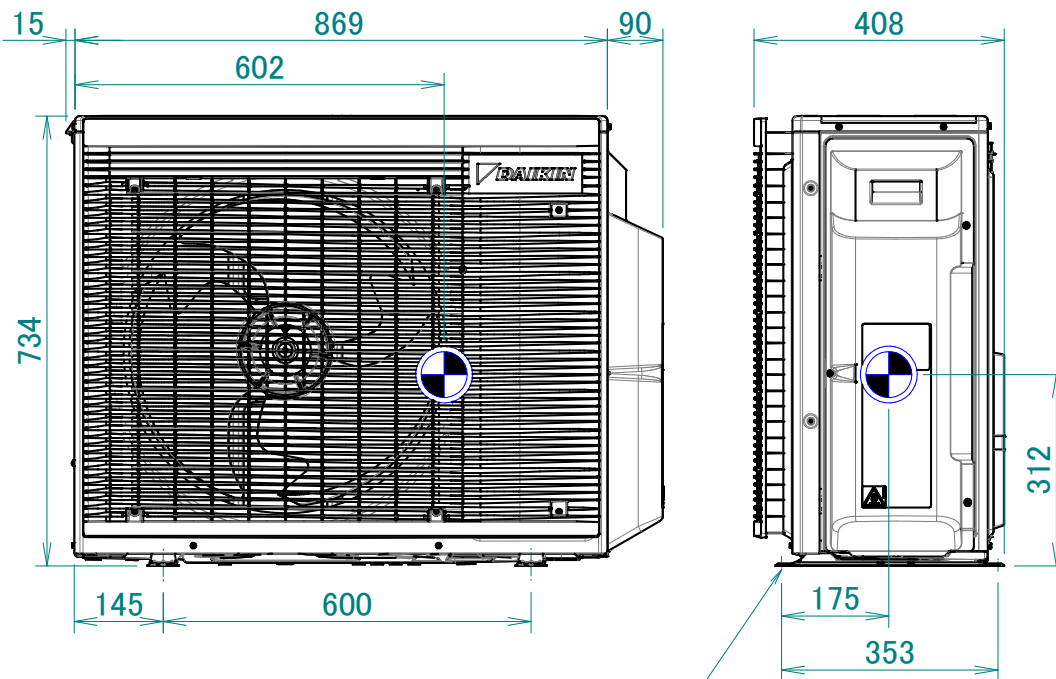
4MXM68A9



Foundation bolt hole

4D139753

4MXM80A9



Foundation bolt hole

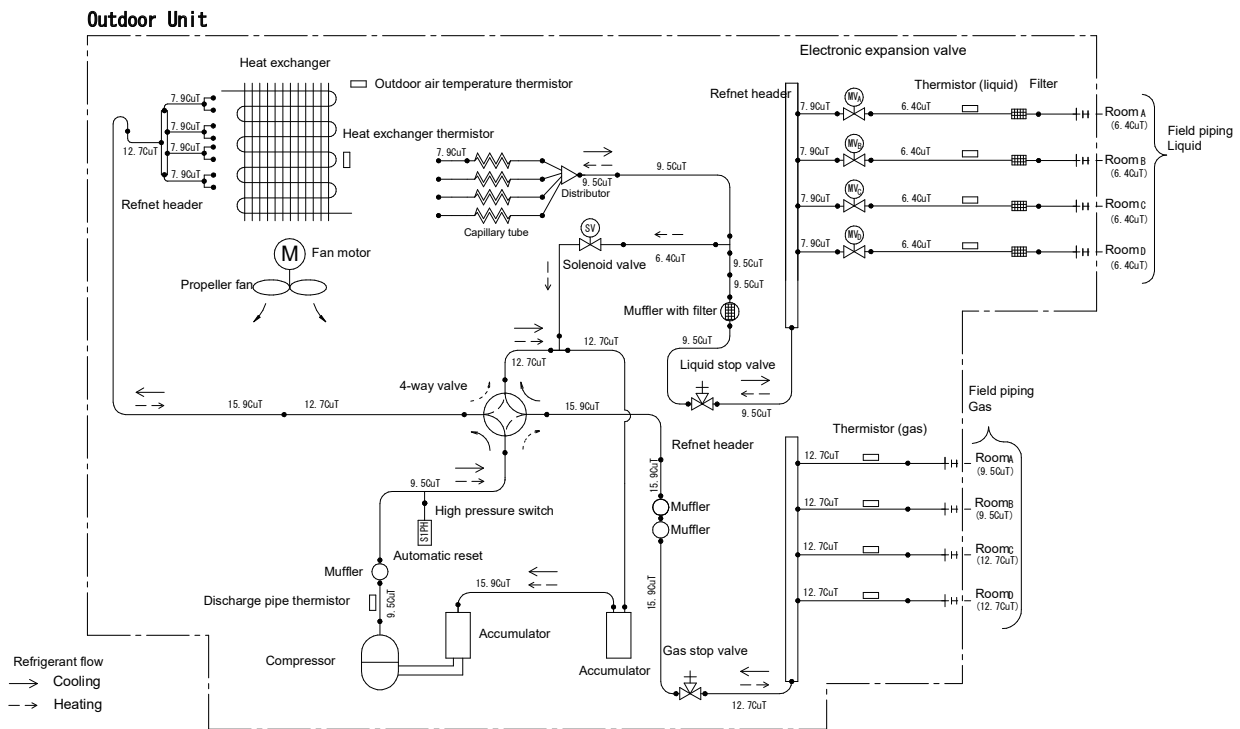
4D139697

8 Piping diagrams

8 - 1 Piping Diagrams

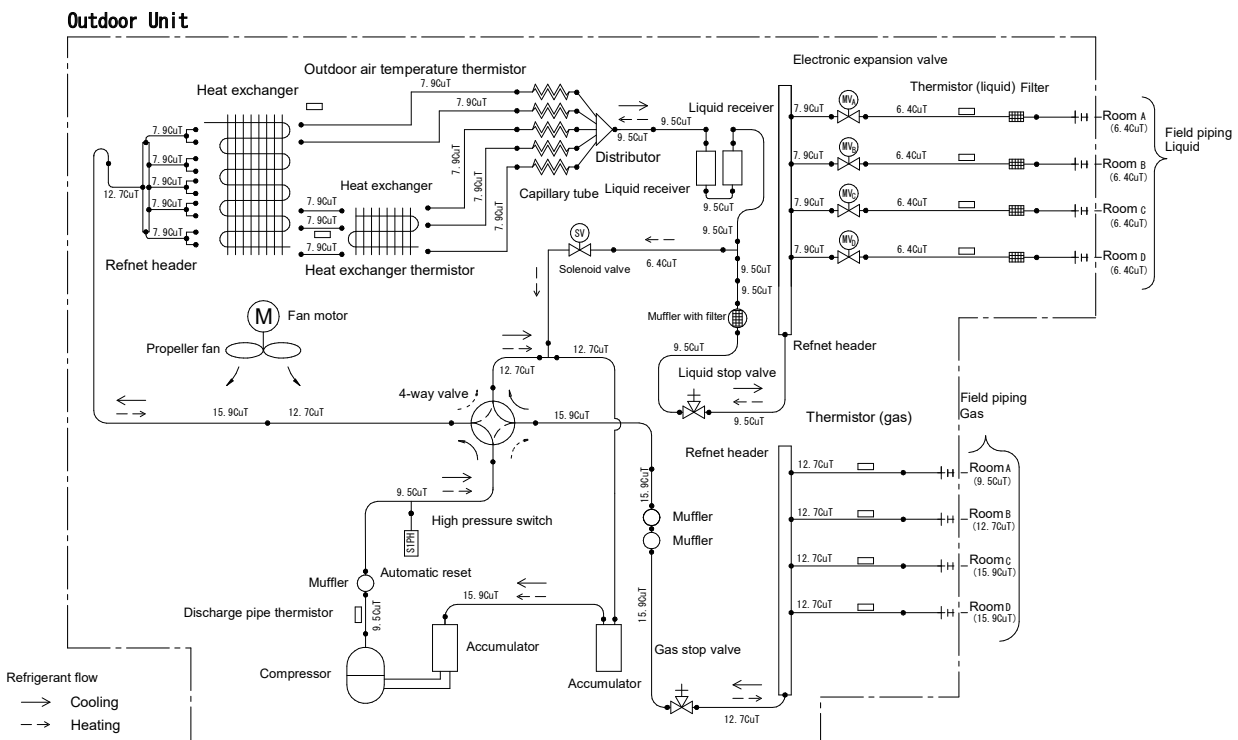
8

4MXM68A9



3D100787C

4MXM80A9

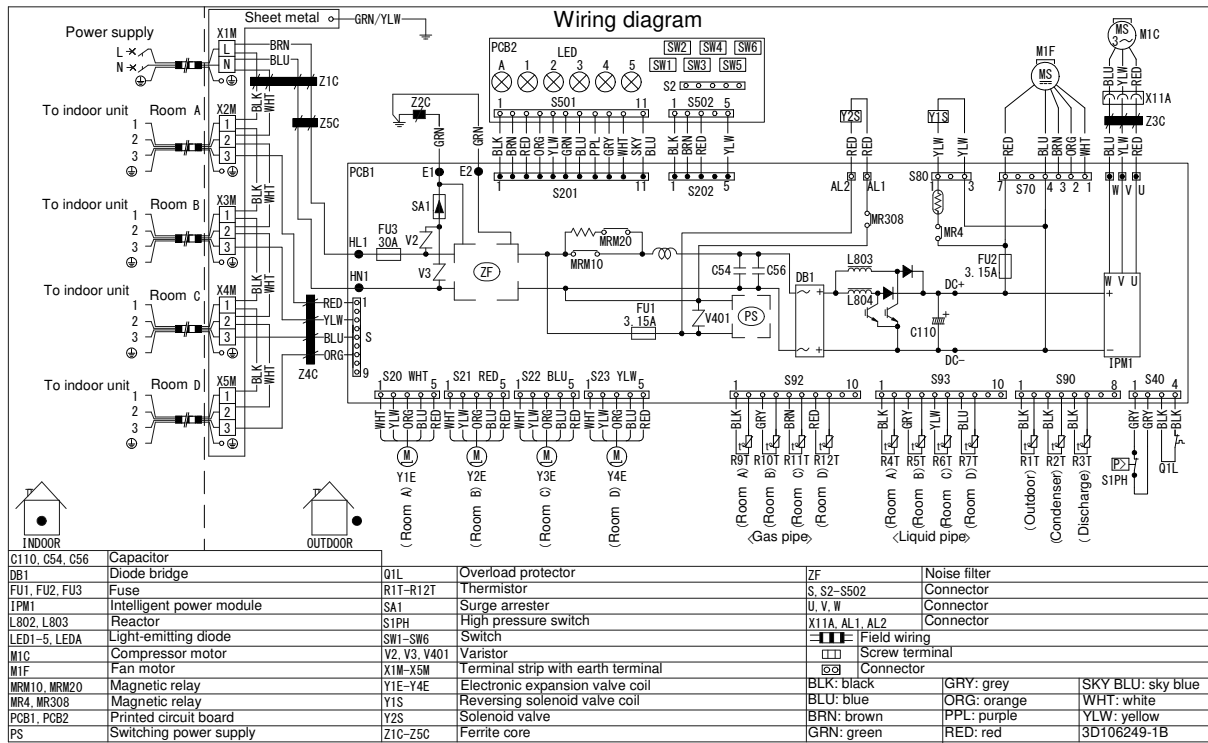


3D100791C

9 Wiring diagrams

9 - 1 Wiring Diagrams - Single Phase

4MXM-A9



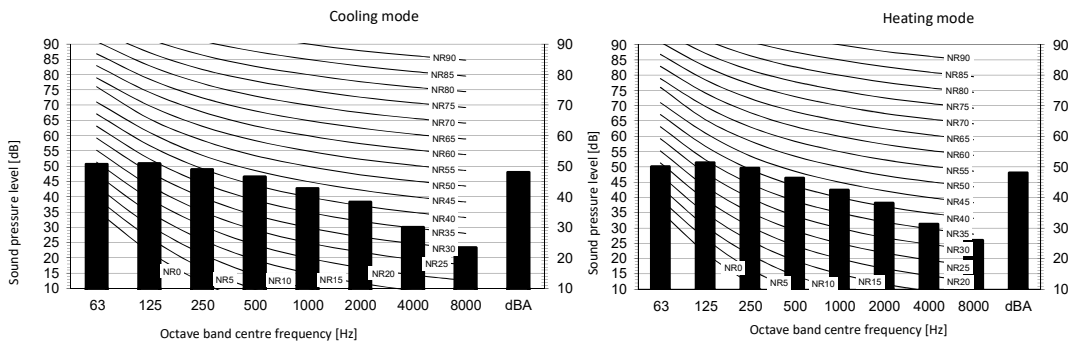
3D106249B

10 Sound data

10 - 1 Sound Pressure Spectrum

10

4MXM68A9

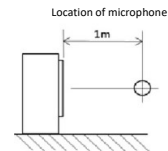


Legend

dBA = A-weighted sound pressure level (A scale according to IEC).

A Scale

B Fan speed: High



Cooling Total dB

A	B
dBA	48

Heating Total dB

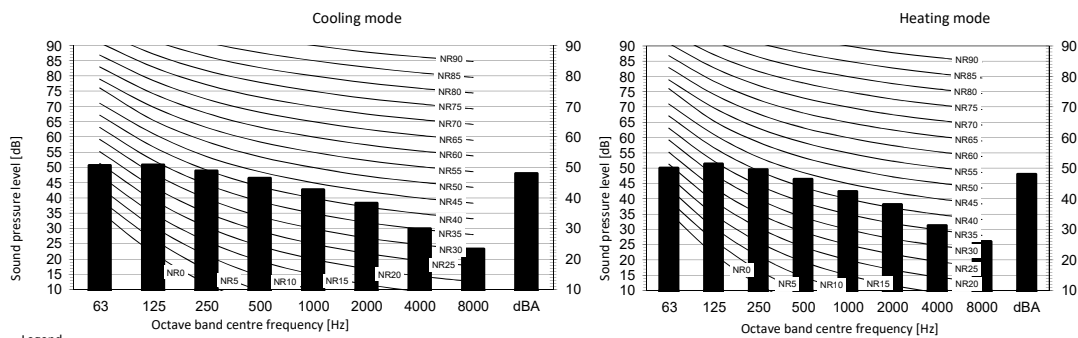
A	B
dBA	49

Notes

- Operating conditions: power source 220-240 V/220 V 50/60 Hz; JIS standard
- Background noise already taken into account.
- Operating noise varies depending on operation and ambient conditions.
- The operation noise measuring method is in accordance with JISC9612.
- Measuring location: anechoic chamber
- The values above are for connecting with the following indoor unit types:
1.5, 2.0, 2.5, 3.5, 4.2, 5.0, 6.0 kW Class

3D106224B

4MXM80A9

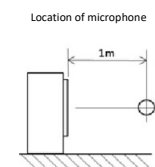


Legend

dBA = A-weighted sound pressure level (A scale according to IEC).

A Scale

B Fan speed: High



Cooling Total dB

A	B
dBA	48

Heating Total dB

A	B
dBA	49

Notes

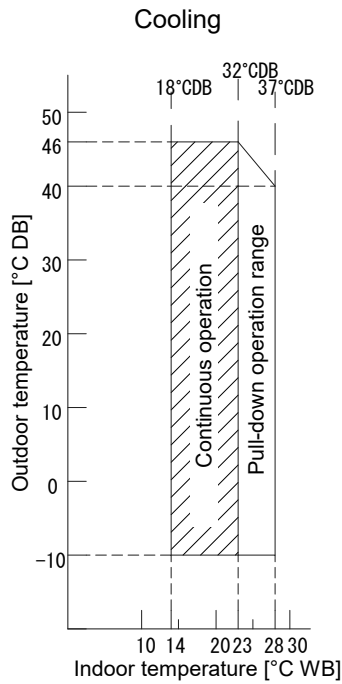
- Operating conditions: power source 220-240 V/220 V 50/60 Hz; JIS standard
- Background noise already taken into account.
- Operating noise varies depending on operation and ambient conditions.
- The operation noise measuring method is in accordance with JISC9612.
- Measuring location: anechoic chamber
- The values above are for connecting with the following indoor unit types:
1.5, 2.0, 2.5, 3.5, 4.2, 5.0, 6.0, 7.1 kW Class

3D106225B

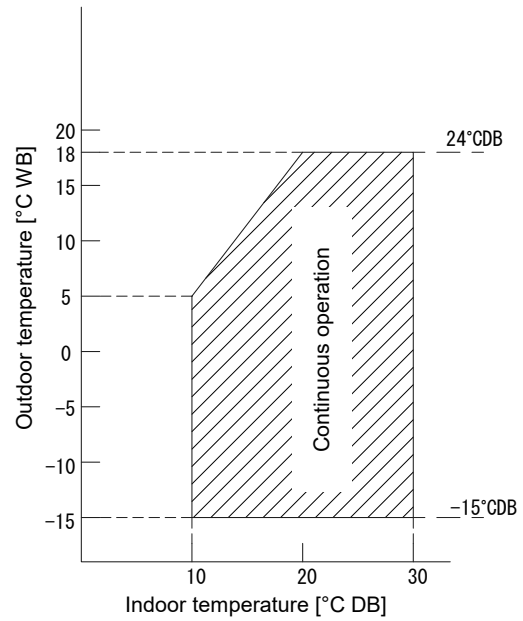
11 Operation range

11 - 1 Operation Range

2MXM-A9
3MXM-A9
4MXM-A9
5MXM-A9



Heating

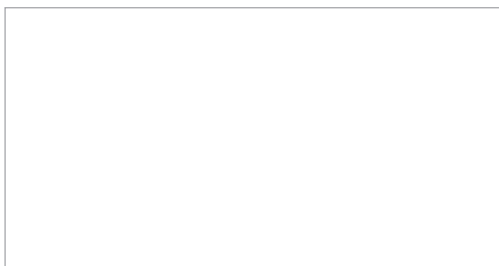


Notes

- 1. The graph is based on the following conditions.
 Corresponding refrigerant piping length: 5 m
 Level difference: 0 m
 Air flow rate High

3D101376D

Daikin Europe N.V. Naamloze Vennootschap · Zandvoordestraat 300 · 8400 Oostende · Belgium · www.daikin.eu · BE 0412 120 336 · RPR Oostende (Responsible Editor)



Daikin Europe N.V. participates in the ECP programmes for Fan Coil Units and Variable Refrigerant Flow systems. Daikin Applied Europe S.p.A. participates in the ECP programmes for Liquid Chilling Packages and Hydronic Heat Pumps. Check ongoing validity of certificate: www.eurovent-certification.com

EEDEN23

02/2023



The present leaflet is drawn up by way of information only and does not constitute an offer binding upon Daikin Europe N.V. Daikin Europe N.V. has compiled the content of this leaflet to the best of its knowledge. No express or implied warranty is given for the completeness, accuracy, reliability or fitness for particular purpose of its content and the products and services presented therein. Specifications are subject to change without prior notice. Daikin Europe N.V. explicitly rejects any liability for any direct or indirect damage, in the broadest sense, arising from or related to the use and/or interpretation of this leaflet. All content is copyrighted by Daikin Europe N.V.