

NAVIGATOR[®]

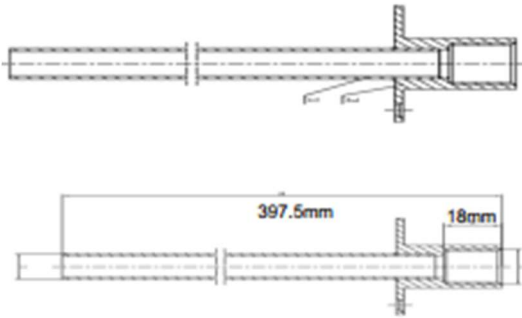
Product Code: **BFWPT350-15D**

Product Description: **15MM X 1/2" WALL PLATE & 350MM TUBE**

Product Specification:

Material: Chrome Plated Brass

Size: 15mm x 1/2"



| Size | L | H | Kgs |
|-------------|-----|----|-------|
| 15mm x 1/2" | 400 | 18 | 0.212 |

Technical Data

| | |
|--------------------------|----------------------------|
| Field of Application | Suitable for Water Systems |
| Max. Working Pressure | 85°C |
| Max. Working Temperature | 10 Bar |

Other Standards/Approvals