

Control Systems
Technical Data

BRP069B41-45



- > BRP069B41.
- > BRP069B42.
- > BRP069B43.
- > BRP069B45.
- > BRP069B44.

TABLE OF CONTENTS

BRP069B41-45

1	Features	2
	BRP069B41	2
	BRP069B42	3
	BRP069B43	4
	BRP069B45	5
	BRP069B44	6
2	Specifications	7
	Technical Specifications	7
	Electrical Specifications	7
3	Dimensional drawings	8

1 Features

1 - 1 BRP069B41

- Possibility to control multiple indoor units via app
- Create a comfortable home climate at any time and at any place
- Remote detection of failures

1



Online
controller via
app

1 Features

1 - 2 BRP069B42

- Possibility to control multiple indoor units via app
- Create a comfortable home climate at any time and at any place
- Remote detection of failures



Online
controller via
app

1 Features

1 - 3 BRP069B43

- Possibility to control multiple indoor units via app
- Remote detection of failures
- Create a comfortable home climate at any time and at any place

1



Online
controller via
app



1 Features

1 - 4 BRP069B45

- Possibility to control multiple indoor units via app
- Online controller: control your indoor from any location with an app, via your local network or internet
- Monitor your energy consumption on a daily, weekly or yearly basis and save power consumption with power limitation and econo mode. Set your holiday schedule when absent for a longer period.



Online controller via app



1 Features

1 - 5 BRP069B44

- Possibility to control multiple indoor units via app
- Create a comfortable home climate at any time and at any place
- Remote detection of failures

1



Online
controller via
app



2 Specifications

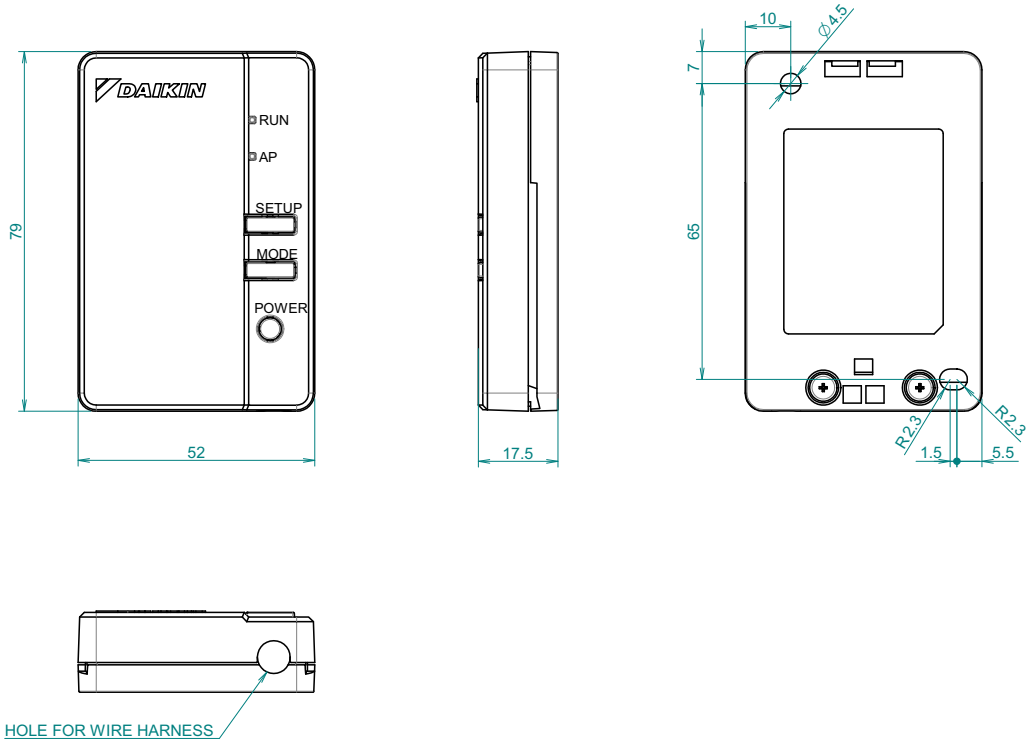
2-1 Technical Specifications				BRP069B41	BRP069B42	BRP069B43	BRP069B45	BRP069B44
Dimensions	Unit	Height/Width/ Depth	mm	79/52/17.5				
Weight	Unit		kg	0.050				
MCA (Minimum Circuit Amps)			A	-	-	-	-	-
2-2 Electrical Specifications				BRP069B41	BRP069B42	BRP069B43	BRP069B45	BRP069B44
MCA (Minimum Circuit Amps)	A			-	-	-	-	-

3 Dimensional drawings

3 - 1 Dimensional Drawings

3

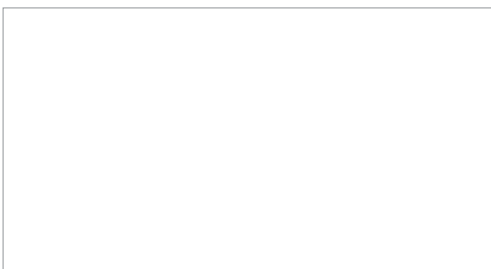
BRP069B41
 BRP069B42
 BRP069B43
 BRP069B44
 BRP069B45



3D112112



Daikin Europe N.V. Naamloze Vennootschap - Zandvoordestraat 300, B-8400 Oostende - Belgium - www.daikin.eu - BE 0412 120 336 - RPR Oostende



EEDEN18 02/18



The present leaflet is drawn up by way of information only and does not constitute an offer binding upon Daikin Europe N.V.. Daikin Europe N.V. has compiled the content of this leaflet to the best of its knowledge. No express or implied warranty is given for the completeness, accuracy, reliability or fitness for particular purpose of its content and the products and services presented therein. Specifications are subject to change without prior notice. Daikin Europe N.V. explicitly rejects any liability for any direct or indirect damage, in the broadest sense, arising from or related to the use and/or interpretation of this leaflet. All content is copyrighted by Daikin Europe N.V.