

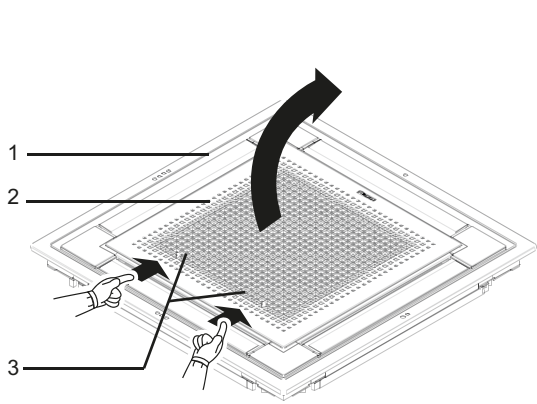
DAIKIN



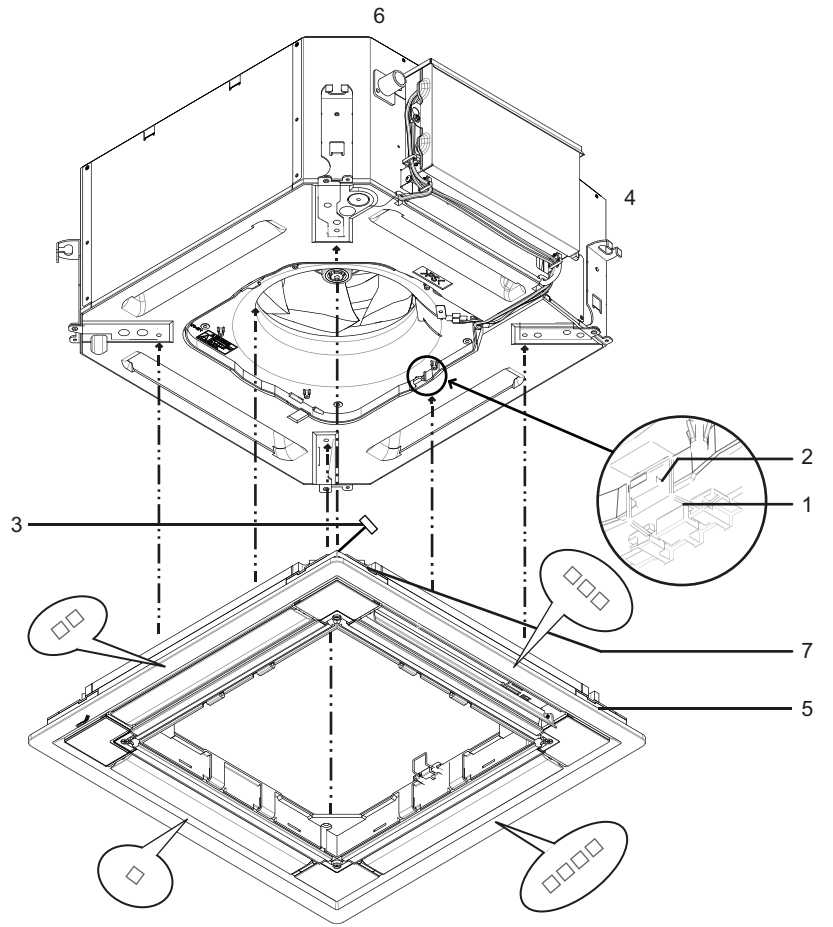
INSTALLATION MANUAL

Decoration panel

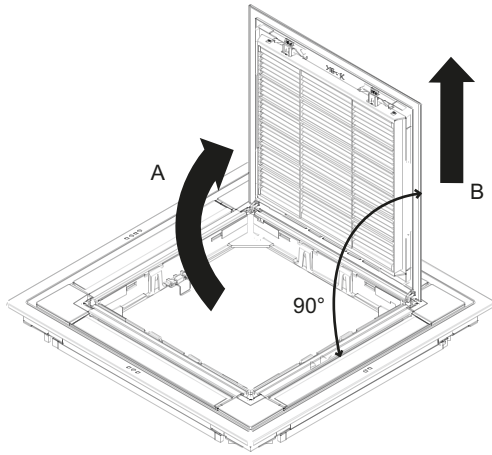
BYFQ60C2W1W
BYFQ60C2W1S
BYFQ60C4W1W
BYFQ60C4W1S



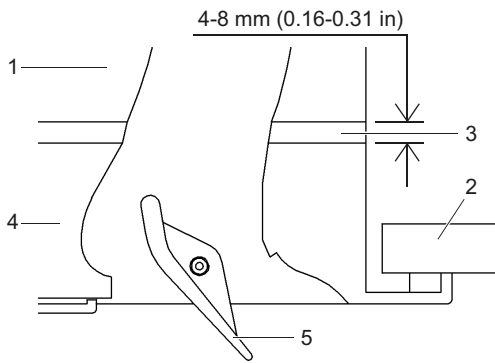
1



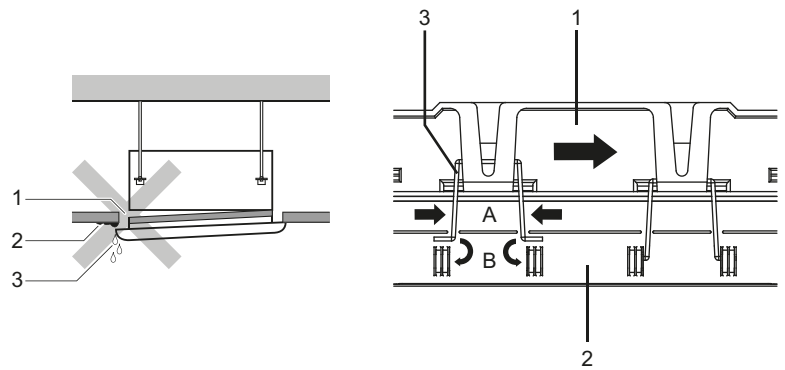
3



2

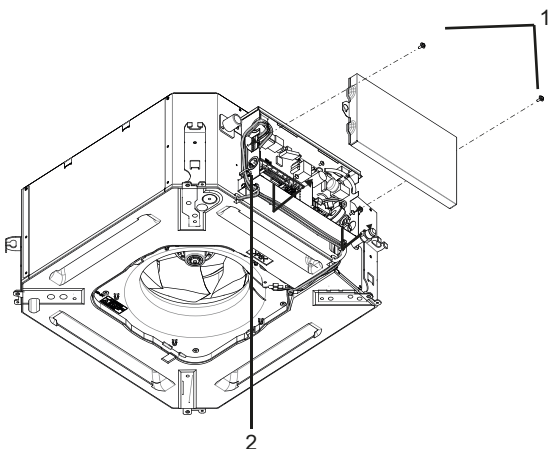


4

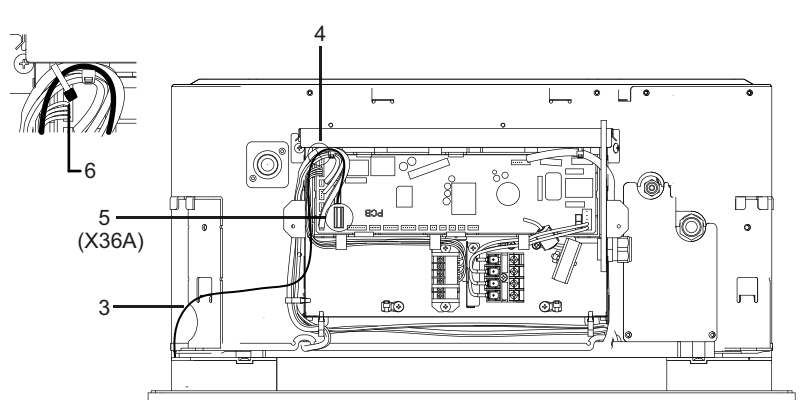


5

7



6





The English text is the original instruction. Other languages are translations of the original instructions.

Read this manual attentively before installation. Do not throw it away. Keep it in your files for future reference.

Improper installation or attachment of equipment or accessories could result in electric shock, short-circuit, leaks, fire or other damage to the equipment. Be sure only to use accessories made by Daikin that are specifically designed for the use with the equipment and have them installed by a professional.

If unsure of installation procedures or use, always contact your dealer for advice and information.

Before installation

- Leave the unit inside its packaging until you reach the installation site.



Rotary fan



Cut off the main power before opening the grille.

- Refer to the installation manual of the indoor unit for items not described in this manual.

NOTE



To the installer

Be sure to instruct the customer how to properly operate the system showing him or her the operation manual of the indoor unit.

Accessories

Installation manual	
Screws (4x)	
Grille hinge (2x)	

Preparation before installation

For this unit, you are able to select air flow directions. To discharge air in 2 or 3 directions, it is necessary to purchase the optional blocking pad kit for sealing air discharge outlets.

Handling of the decoration panel

To prevent any damage to the decoration panel, take care of the following:

- Never place the decoration panel facing down.
- Never let the decoration panel lean against a wall.
- Never place the decoration panel on a sharp or projecting object.
- Never touch or put pressure on the swing flap in order to prevent malfunction of the swing flap.

Preparing the decoration panel for installation

- Remove the suction grille from the decoration panel.

- 1 Decoration panel
- 2 Suction grille
- 3 Lever

- Remove the transporting tape from the decoration panel suction grille and flaps.
- Push the suction grille lever (3) inward and open the suction grille (2). (See figure 1)
- Detach the suction grille from the decoration panel by lifting the suction grille up approximately 90 degrees (A) until the position is reached on which removal of the suction grille is possible (B). (See figure 2)

Installation of the decoration panel to the indoor unit

Refer to the installation manual of the indoor unit for details on installing the indoor unit.

- Install the decoration panel (See figure 3)

- 1 Temporary latch
- 2 Hook
- 3 Swing flap motor lead wire
- 4 Piping area
- 5 Piping side mark
- 6 Drain area
- 7 Drain side mark

- Hold the decoration panel against the indoor unit by matching the piping side and drain side marks on the decoration panel with the position of the piping area and drain area of the indoor unit.
- Turn 2 panel temporary latches up into the hooks of the indoor unit so the decoration panel is temporarily fixed to the indoor unit. (See figure 3)
- Make sure that the swing flap motor lead wire isn't caught between the decoration panel and the indoor unit.
- Attach 4 supplied screws and check whether the decoration panel is properly aligned with the indoor unit and ceiling.
- Tighten all 4 screws until the thickness between of the sealing material between the decoration panel and the indoor unit reduces to 4-8 mm. (See figure 4)

- 1 Indoor unit
- 2 Ceiling
- 3 Sealing material
- 4 Decoration panel
- 5 Air outlet

Precautions

- Improper tightening of the screws - (See figure 5) - may cause air to leak into the unit and between the ceiling and the decoration panel (1), resulting in formation of contamination (2) and dew (3).
- If there is a gap remaining between the ceiling and the decoration panel after tightening the screws, re-adjust the indoor unit body height. The indoor unit must be kept leveled and the drain piping kept unaffected.



2 Wiring of the decoration panel (See figure 6)



Make sure to turn off the power supply before wiring!

- 1 Screws (2)
- 2 Switch box
- 3 Swing flap motor lead wire
- 4 Swing flap motor lead wire fixed by tie wrap to the rest of the wires (See detail in figure 6)
- 5 Connector of the indoor unit PCB (X36A)
- 6 Tie wrap

- 1 Remove the electric components box lid. Loosen 2 screws and slide the electric components box lid in the direction of the arrows.
- 2 Securely connect the connector of swing flap motor lead wire installed on the decoration panel. Attach the swing flap motor lead wire to the rest of the wires firmly by tie wrap (from indoor unit accessory set). (See figure 6)
- 3 Replace the electric components box lid reversing the procedure to remove it.



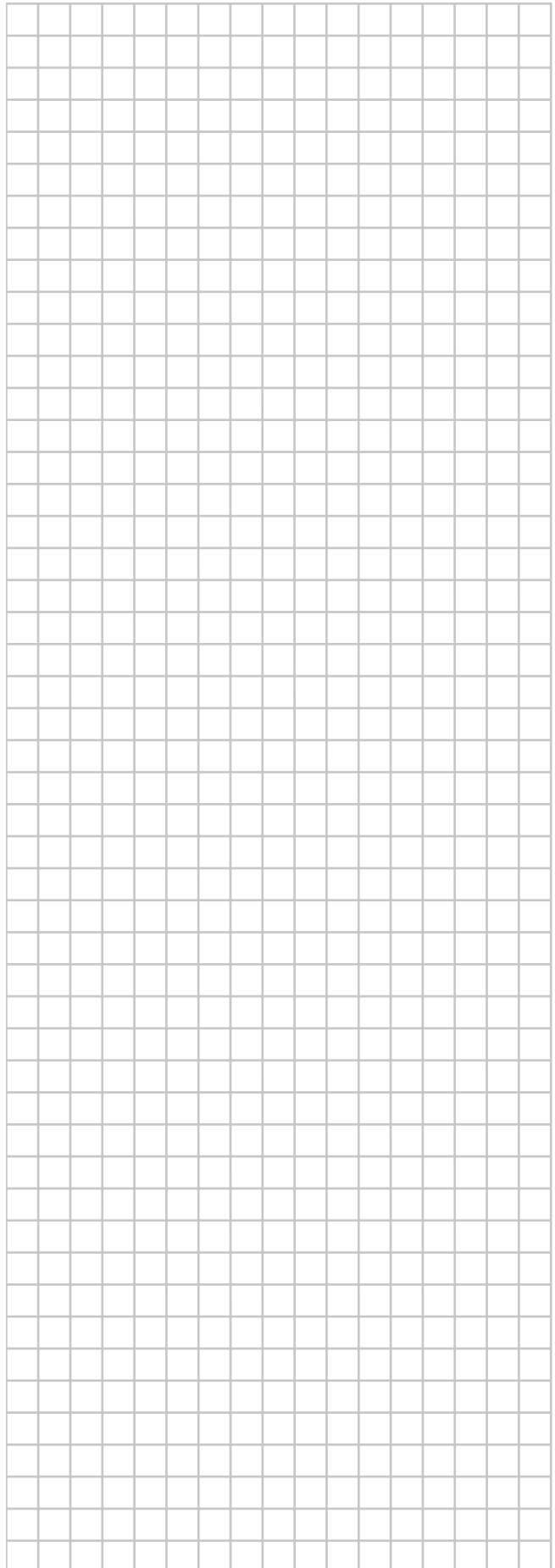
Make sure that the swing flap motor lead wire is not caught between the indoor unit and the decoration panel and inbetween the electric component box lid.

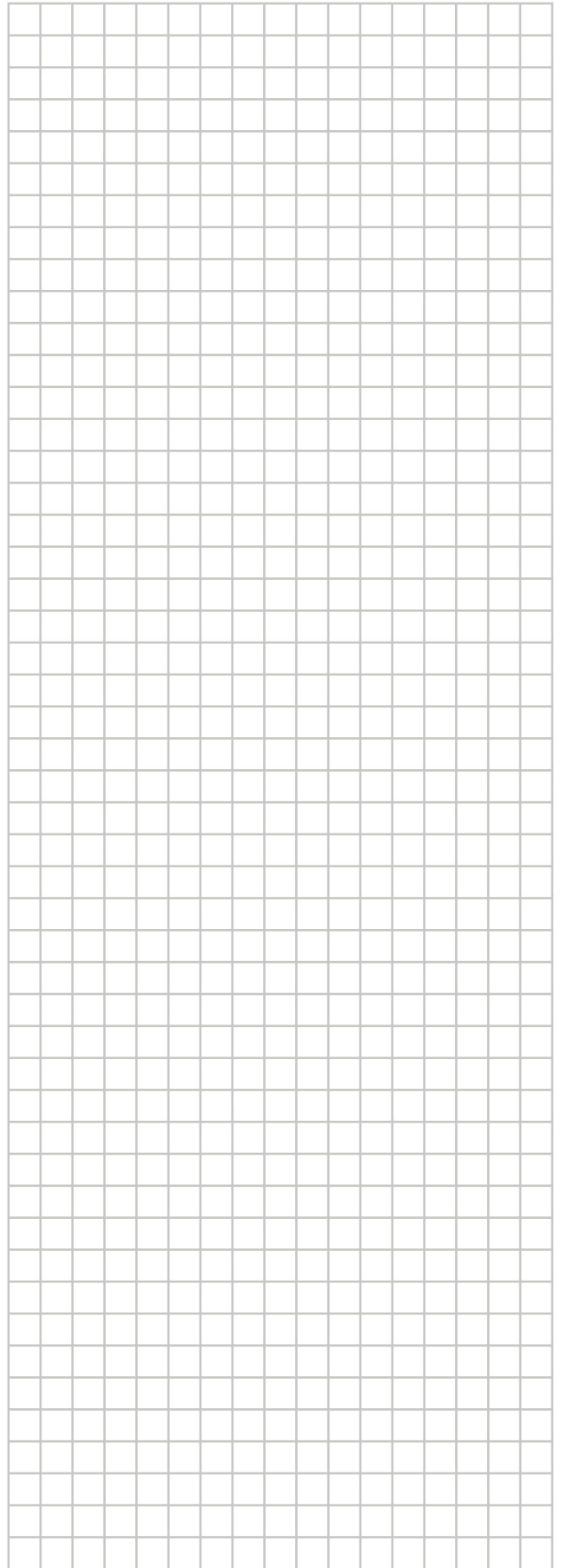
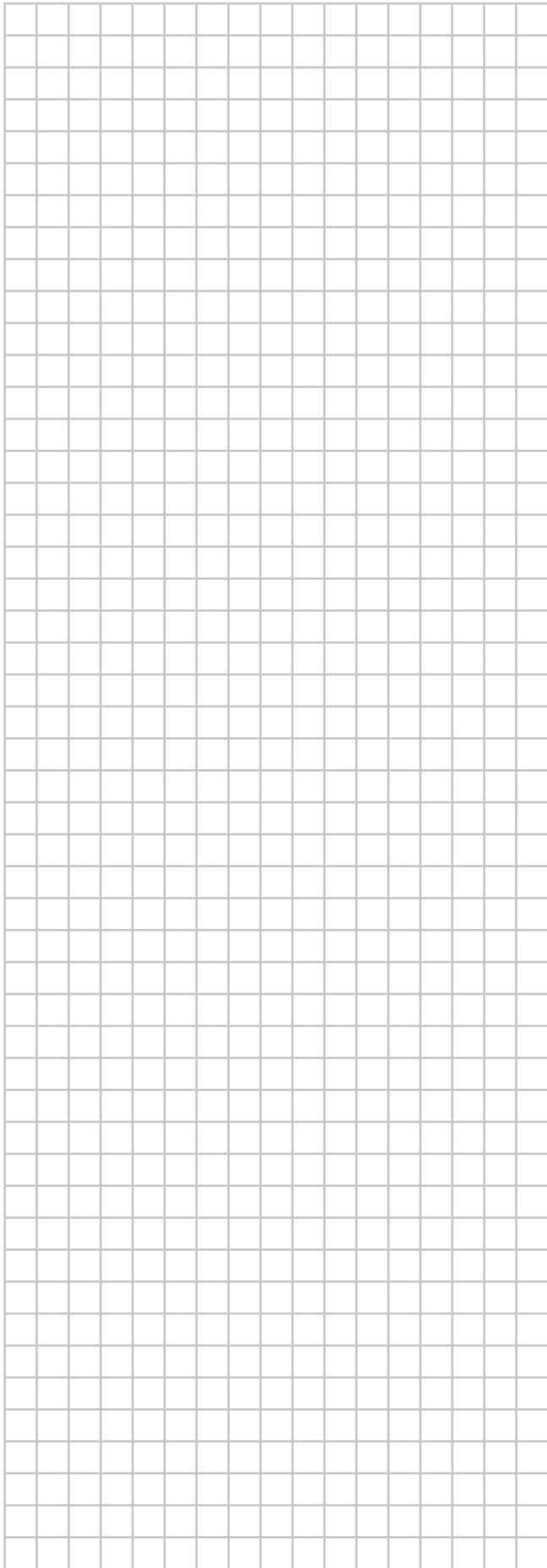
Installation of the suction grille to decoration panel

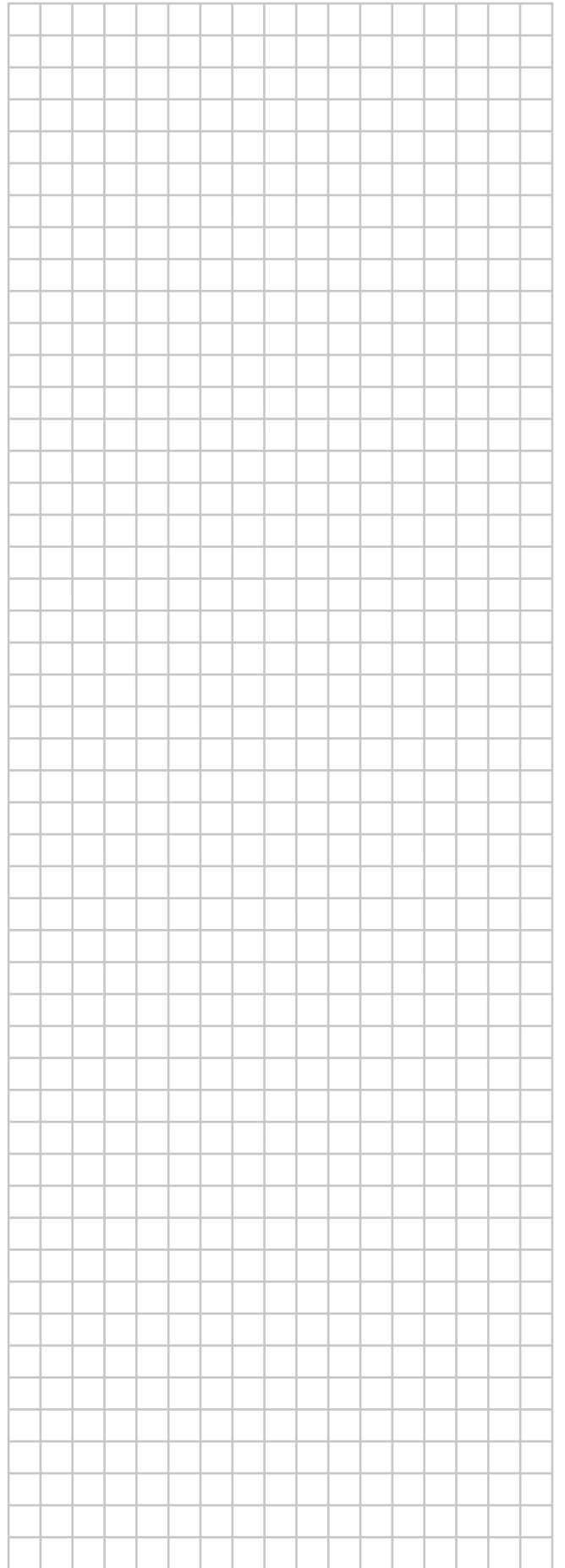
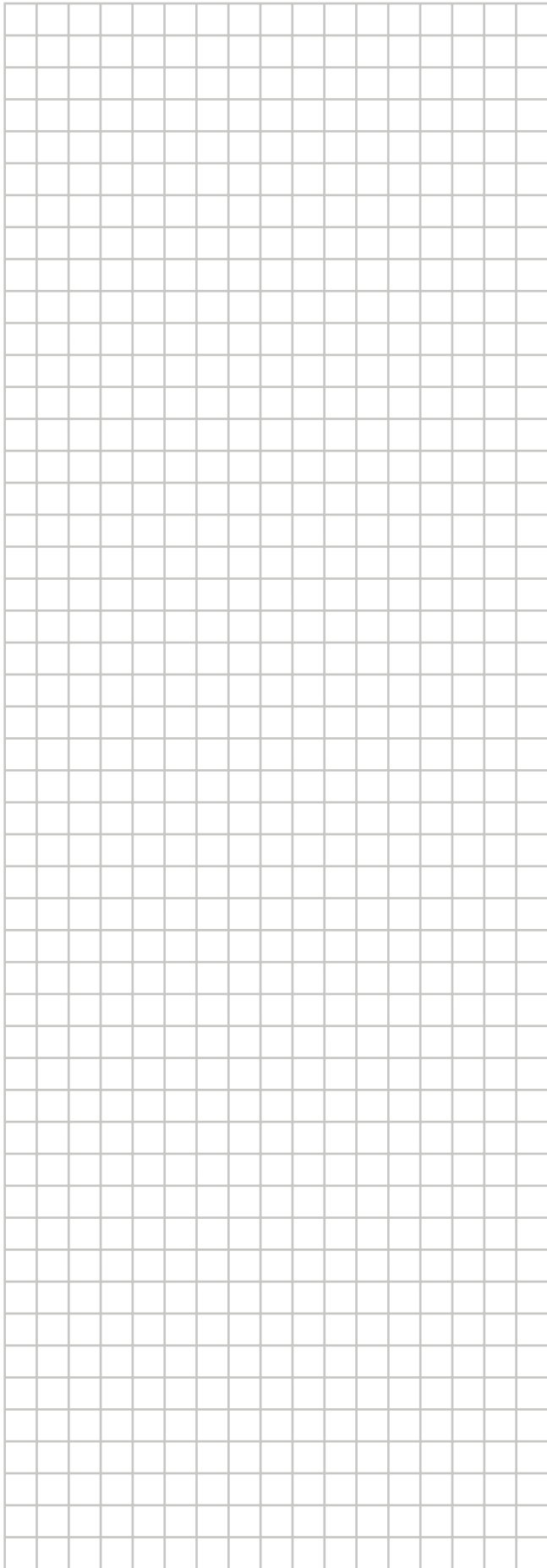
Install the suction grille (See figure 7)

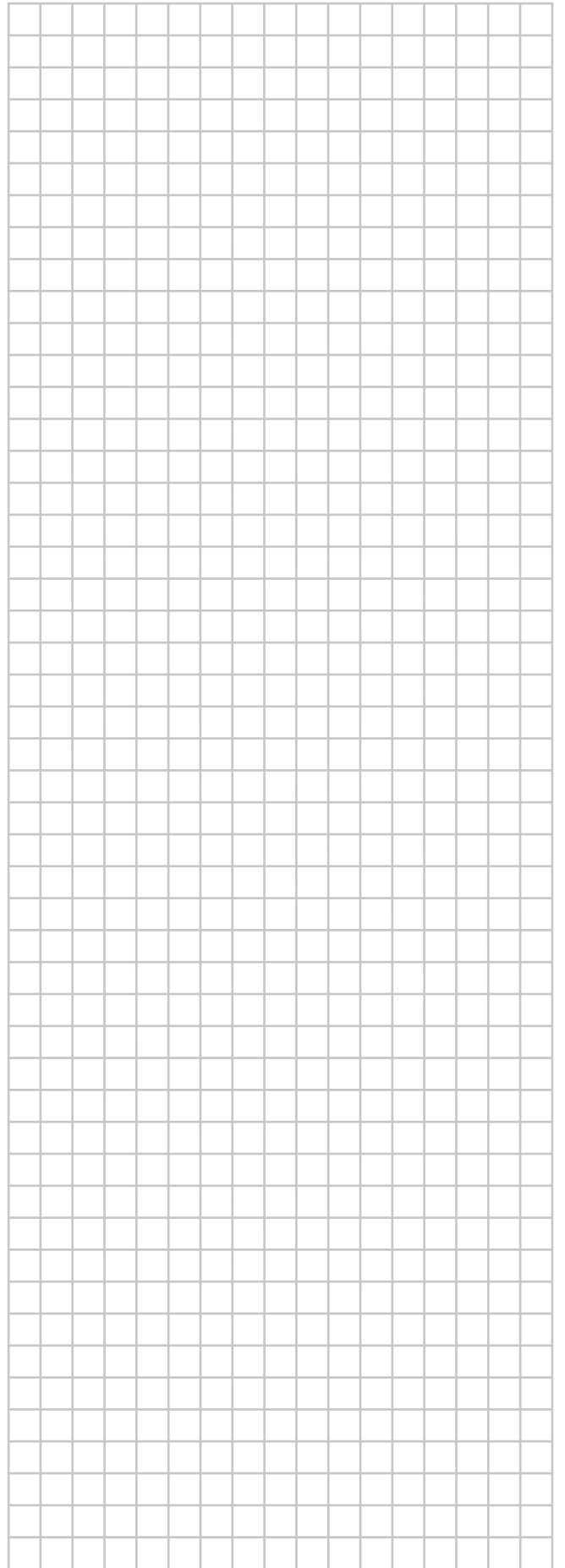
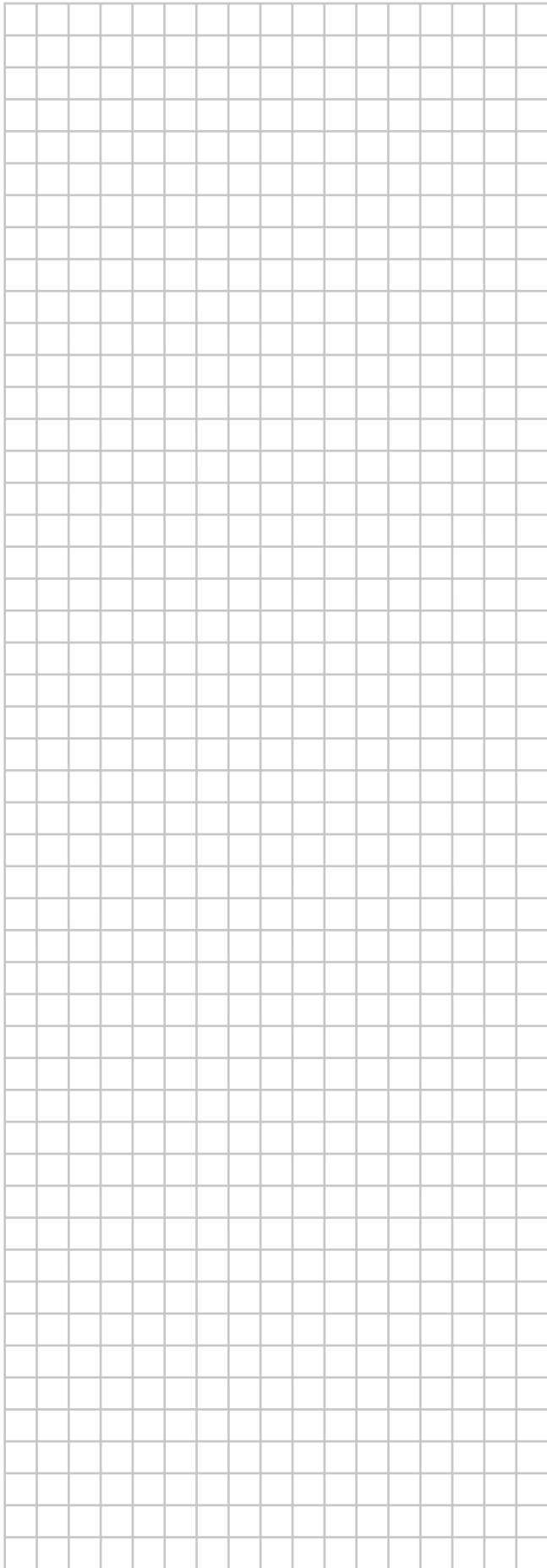
- 1 Decoration panel
- 2 Suction grille
- 3 Suction grille hinge (attached to decoration panel)

- 1 Remove the transportation tape which is securing 2 suction grille hinges in place.
 - 2 Attach the suction grille to hinges by pressing the hinge and inserting both ends of hinge to holes on the suction grille. (See figure 7)
 - 3 Make sure that the suction grille is attached to the decoration panel properly by 2 hinges.
 - 4 Close the suction grille by reversing the procedure shown in "Preparing the decoration panel for installation" on page 1.
- The suction grille may be installed in 4 directions by simply turning it 90 degrees.
 - Change the direction when adjusting the direction of the suction grille of multiple units or to comply with the demands of the customer.











DAIKIN INDUSTRIES CZECH REPUBLIC s.r.o. DAIKIN EUROPE N.V.
U Nové Hospody 1/1155, 301 00 Plzeň Skvrňany, Czech Republic Zandvoordestraat 300, B-8400 Oostende, Belgium

Copyright 2013 Daikin