

Fully flat cassette  
Air Conditioning  
Technical Data  
FFA-A9



FFA25A2VEB9  
FFA35A2VEB9  
FFA50A2VEB9  
FFA60A2VEB9



---

# TABLE OF CONTENTS

## FFA-A9

---

1	<b>Features</b>	4
	FFA-A9	4
2	<b>Specifications</b>	6
3	<b>Safety device settings</b>	8
4	<b>Options</b>	9
5	<b>Dimensional drawings</b>	10
6	<b>Centre of gravity</b>	12
7	<b>Piping diagrams</b>	13
8	<b>Wiring diagrams</b>	14
	Wiring Diagrams - Three Phase	14
9	<b>Sound data</b>	15
	Sound Pressure Spectrum	15
10	<b>Air flow patterns</b>	17
	Air Flow Pattern - Cooling	17
	Air Flow Pattern - Heating	21

# 1 Features

1 - 1 FFA-A9

## Unique design in the market that integrates fully flat into the ceiling

1

- › Fully flat integration in standard architectural ceiling tiles, leaving only 8mm
- › Remarkable blend of iconic design and engineering excellence with an elegant finish in white or a combination of silver and white
- › Unified indoor unit range for R-32 and R-410A
- › Combining with R-32 Bluevolution technology, reduces environmental impact with 68% compared to R-410A, leads directly to lower energy consumption thanks to its high energy efficiency and has up to lower 16% refrigerant charge
- › Two optional intelligent sensors improve energy efficiency and comfort
- › Individual flap control: flexibility to suit every room layout without changing the location of the unit!
- › Reduced energy consumption thanks to specially developed small tube heat exchanger, DC fan motor and drain pump
- › Optional fresh air intake
- › Branch duct discharge allows to optimize air distribution in irregular shaped rooms or to supply air to small adjacent rooms
- › Standard drain pump with 630mm lift increases flexibility and installation speed



Infrastructure cooling



Onecta app (optional)



Presence & floor sensor



Home leave operation



Fan only



Draught prevention



Auto cooling-heating changeover



Whisper quiet



Ceiling soiling prevention



Individual flap control



Vertical auto swing



Fan speed steps (3 steps + auto)



Dry programme



Air filter



Weekly timer (optional)



Infrared remote control (optional)



Wired remote control (optional)



Centralised control (optional)

# 1 Features

1 - 1 FFA-A9



Auto-restart



Self diagnosis



Drain pump kit  
(standard)



Twin/triple/  
double twin  
application



Multi model  
application



VRV for  
residential  
application

## 2 Specifications

### 2 - 1 Specifications

2

Technical specifications					FFA25A9	FFA35A9	FFA50A9	FFA60A9	
Casing	Material				Galvanised steel plate				
Dimensions	Unit	Height	mm		260				
		Width	mm		575				
		Depth	mm		575				
	Packed unit	Height	mm		280				
		Width	mm		686				
		Depth	mm		597				
Weight	Unit	kg		16.0			17.5		
	Packed unit	kg		18.0			19.0		
Heat exchanger	Inside length				mm		1,295	1,248	
	Outside length				mm		1,342		
	Rows	Quantity			2		3		
	Fin pitch	mm			1.20				
	Passes	Quantity			5.0		8.0		
	Face area	m <sup>2</sup>			0.29		0.30		
	Stages	Quantity			16				
	Empty tubeplate hole	Quantity			0				
	Fan	Fin	Type			Cross fin coil (multi slit fins and hi-XA tubes)			
		Model				QTS32D15M			
Fan motor	Type				Turbo fan				
	Quantity				1				
	Air flow rate	Cooling	High	m <sup>3</sup> /min	9.0	10.0	12.7	14.5	
				cfm	318	353	448	512	
			Medium	m <sup>3</sup> /min	8.0	8.5	10.9	12.5	
			cfm	282	300	385	442		
		Low	m <sup>3</sup> /min	6.5		8.6	9.5		
			cfm	230		304	336		
	Heating	High	m <sup>3</sup> /min	9.0	10.0	12.7	14.5		
			cfm	318	353	448	512		
		Medium	m <sup>3</sup> /min	8.0	8.5	10.9	12.5		
			cfm	282	300	385	442		
		Low	m <sup>3</sup> /min	6.5		8.6	9.5		
			cfm	230		304	336		
Fan motor	Quantity				1				
	Model				ARW5216DK				
	Speed Steps				3				
Fan motor	Speed	Cooling	High	rpm	653		793	900	
			Low	rpm	447		538	581	
	Heating	High	rpm	653		793	900		
		Low	rpm	447		538	581		
	Output	High	W		50				
	Sound power level	Cooling			dB(A)	48.0	51.0	56.0	60.0
Sound pressure level	Cooling	High	dB(A)		31.0	34.0	39.0	43.0	
		Medium	dB(A)		28.5	30.5	34.0	40.0	
		Low	dB(A)		25.0		27.0	32.0	
	Heating	High	dB(A)		31.0	34.0	39.0	43.0	
		Medium	dB(A)		28.5	30.5	34.0	40.0	
		Low	dB(A)		25.0		27.0	32.0	
Refrigerant	Type				R-32 / R-410A				
Piping connections	Sound absorbing insulation				Foamed polyurethane				
	Liquid	Type			Flare connection				
		OD	mm		6				
	Gas	Type			Flare connection				
		OD	mm		9.52			12.70	
Drain				VP20 (I.D. 20/O.D. 26)					
Decoration panel	Heat insulation				Foamed polystyrene/polyethylene				
	Model				BYFQ60C2WIW				
	Colour				White (N9.5)				
	Dimensions	Height	mm		46				
		Width	mm		620				
		Depth	mm		620				
	Weight	kg			2.8				
Decoration panel 2	Model				BYFQ60C2W1S				
	Colour				SILVER				
	Dimensions	Height	mm		46				
		Width	mm		620				
		Depth	mm		620				
	Weight	kg			2.8				

## 2 Specifications

### 2 - 1 Specifications

Technical specifications			FFA25A9	FFA35A9	FFA50A9	FFA60A9	
Decoration panel 3	Model		BYFQ60B2W1				
	Colour		White (RAL9010)				
	Dimensions	Height	mm	55			
		Width	mm	700			
Depth		mm	700				
Decoration panel 3	Weight	kg	2.7				
Decoration panel 4	Model		BYFQ60B3W1				
	Colour		WHITE (RAL9010)				
	Dimensions	Height	mm	55			
		Width	mm	700			
		Depth	mm	700			
	Weight	kg	2.7				
Air filter	Type		Resin net				
Control systems	Infrared remote control		BRC7EB530W (standard panel) / BRC7F530W (white panel) / BRC7F530S (grey panel)				
	Wired remote control		BRC1D528 / BRC1E53A7 / BRC1E53B7 / BRC1E53C7				

Standard accessories: Installation and operation manual;Quantity: 1;

Standard accessories: Drain hose;Quantity: 1;

Standard accessories: Hose band;Quantity: 1;

Standard accessories: Washer for hanger bracket;Quantity: 8;

Standard accessories: Screws;Quantity: 4;

Standard accessories: Thermal insulation tube;Quantity: 2;

Standard accessories: Sealing material;Quantity: 4;

Standard accessories: Tie-wraps;Quantity: 7;

Electrical specifications			FFA25A9	FFA35A9	FFA50A9	FFA60A9
Power supply	Phase		1~			
	Frequency	Hz	50			
	Voltage	V	220-240			

### 3 Safety device settings

#### 3 - 1 Safety Device Settings

**3**

## FFA-A9

Safety devices		<b>FFA25-60A2VEB(9)</b>
PCB fuse		250V, 3.15A
PCB fuse (fan driver)		---
Fan motor overcurrent protection	Nominal	0.74A
Fan motor thermal protector	Maximum	108°C
Drain pump fuse		---

**4D110743**



# 4 Options

## 4 - 1 Options

FFA-A9

Option kit	Product name	Compatibility					Availability
		BYFQ60B2W1 BYFQ60B3W1	BYFQ60C2W1W	BYFQ60C2W1S	BYFQ60C4W1W	BYFQ60C4W1S	SA
Decoration panel - Standard	BYFQ60B2W1	-	-	-	-	-	FFA25A2VEB(9) FFA35A2VEB(9) FFA50A2VEB(9) FFA60A2VEB(9)
Decoration panel - Standard	BYFQ60B3W1	-	-	-	-	-	✓
Decoration panel - White	BYFQ60C2W1W	-	-	-	-	-	✓
Decoration panel - Silver	BYFQ60C2W1S	-	-	-	-	-	✓
Decoration panel - White	BYFQ60C4W1W (14)	-	-	-	-	-	✓
Decoration panel - Silver	BYFQ60C4W1S (14)	-	-	-	-	-	✓
Conversion wire harness	EKRS22	No	No	No	Yes	Yes	✓
Sensor kit - White	BRYQ60A2W(3)	No	Yes	No	Yes	No	✓
Sensor kit - Silver	BRYQ60A2S(3)	No	No	Yes	No	Yes	✓
Air discharge outlet sealing member	BD8HQ44C60	Yes	Yes	Yes	Yes	Yes	✓
Panel spacer	KDBQ44B60	Yes	No	No	No	No	✓
Long-life replacement filter	KAF441C60	Yes	Yes	Yes	Yes	Yes	✓
Fresh air intake kit	KDDQ44XA60	Yes	Yes	Yes	Yes	Yes	✓
Remote control   Infrared type   HP	BRC7EB530W(1)(2)	Yes	No	No	No	No	✓
Remote control   Infrared type   -HP   White	BRC7F530W(1)(2)	No	No	Yes	No	Yes	✓
Remote control   Infrared type   -HP   Silver	BRC7F530S(1)(2)	No	No	Yes	No	Yes	✓
Wired remote control	BRC1D528(2), BRC1H51(9)W/S/K, BRC1H81W/S	Yes	Yes	Yes	Yes	Yes	✓
Wired remote control	BRC1E53A7(8), BRC1E53B7(9), BRC1E53C7(10), (11)	Yes	Yes	Yes	Yes	Yes	✓
Simplified remote control (with operation mode selector button)	BRC2E52C7(5)(11)	Yes	Yes	Yes	Yes	Yes	✓
Simplified remote control (without operation mode selector button)	BRC3E52C7(5)(11)	Yes	Yes	Yes	Yes	Yes	✓
Central remote control	DCS302B51	Yes	Yes	Yes	Yes	Yes	✓
Unified ON/OFF controller	DCS301B51	Yes	Yes	Yes	Yes	Yes	✓
Schedule timer	DST301B51	Yes	Yes	Yes	Yes	Yes	✓
Wiring adaptor for electrical appendices	KRP1B57	Yes	Yes	Yes	Yes	Yes	✓
Wiring adaptor for electrical appendices	KRP4A53	Yes	Yes	Yes	Yes	Yes	✓
Wiring adaptor (hour meter)	EKRP1B2	Yes	Yes	Yes	Yes	Yes	✓
Installation box for adaptor PCB	KRP1B101, KRP1BA101	Yes	Yes	Yes	Yes	Yes	✓
Remote sensor	KRC501-4B	Yes	Yes	Yes	Yes	Yes	✓
ITouch Controller	DCS601CS1	Yes	Yes	Yes	Yes	Yes	✓
Centralised control systems	DCC601A51	Yes	Yes	Yes	Yes	Yes	✓
Intelligent touch controller	DCM601A5A	Yes	Yes	Yes	Yes	Yes	✓
Digital input adaptor	BRP7A53(6)	Yes	Yes	Yes	Yes	Yes	✓
Wi-Fi adaptor for smartphones	BRP069A81(13)	Yes	Yes	Yes	Yes	Yes	✓

Notes

- ① The sensing function is not available.
- ② The independently-controllable-flaps function is not available.
- ③ This option cannot be used with -RR- and -RQ- models.
- ④ The independently-controllable-flaps function is not available in combination with -RR- and -RQ- models.
- ⑤ Included languages are:  
Language pack -1-: English, German, French, Dutch, Spanish, Italian, and Portuguese.  
With PC cable -EKPCAB3- in combination with the Updater PC software, you can additionally change the language to:  
Language pack -2-: English, Bulgarian, Croatian, Czech, Hungarian, Romanian, and Slovenian.  
Language pack -3-: English, Greek, Polish, Russian, Serbian, Slovak, and Turkish.
- ⑥ Only possible in combination with remote control -BRC2/3E52C7, BRC1E53A/B/C7, BRC1H51(9)W/S/K, BRC1H81W/S-.
- ⑦ Requires installation box for adaptor PCB
- ⑧ Included languages are: English, German, French, Italian, Spanish, Portuguese, and Dutch.
- ⑨ Included languages are: English, Czech, Croatian, Hungarian, Slovenian, Romanian, and Bulgarian.
- ⑩ Included languages are: English, Russian, Greek, Turkish, Polish, Albanian, and Slovak.
- ⑪ Language pack -3- of controller -BRC1E53C7- is different from that of controller -BRC2/3E52C7-.
- ⑫ Editable data for this drawing are available in the -GDE (E-BOM) system.
- ⑬ Only possible in combination with wired or wireless remote control (e.g. -BRC1E\*, BRC1H\*, BRC7FA\* -)
- ⑭ Only possible in combination with -EKRS22-

3D106135D

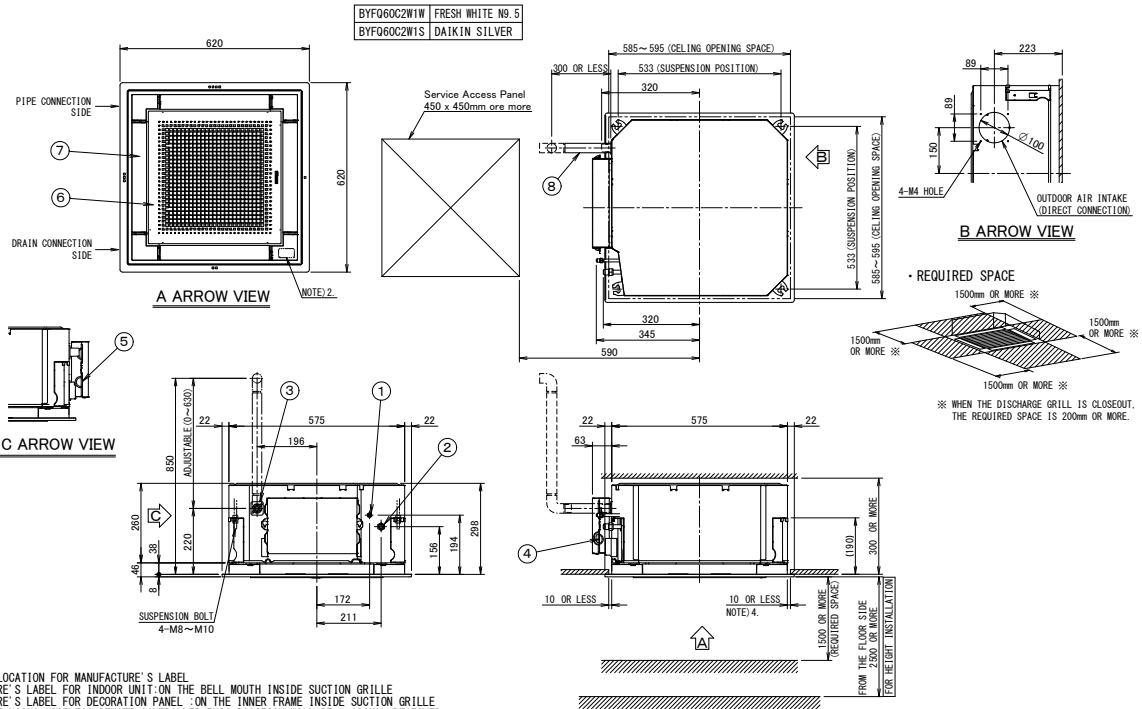
# 5 Dimensional drawings

## 5 - 1 Dimensional Drawings

5

### FFA25-35A9

• DECORATION PANEL



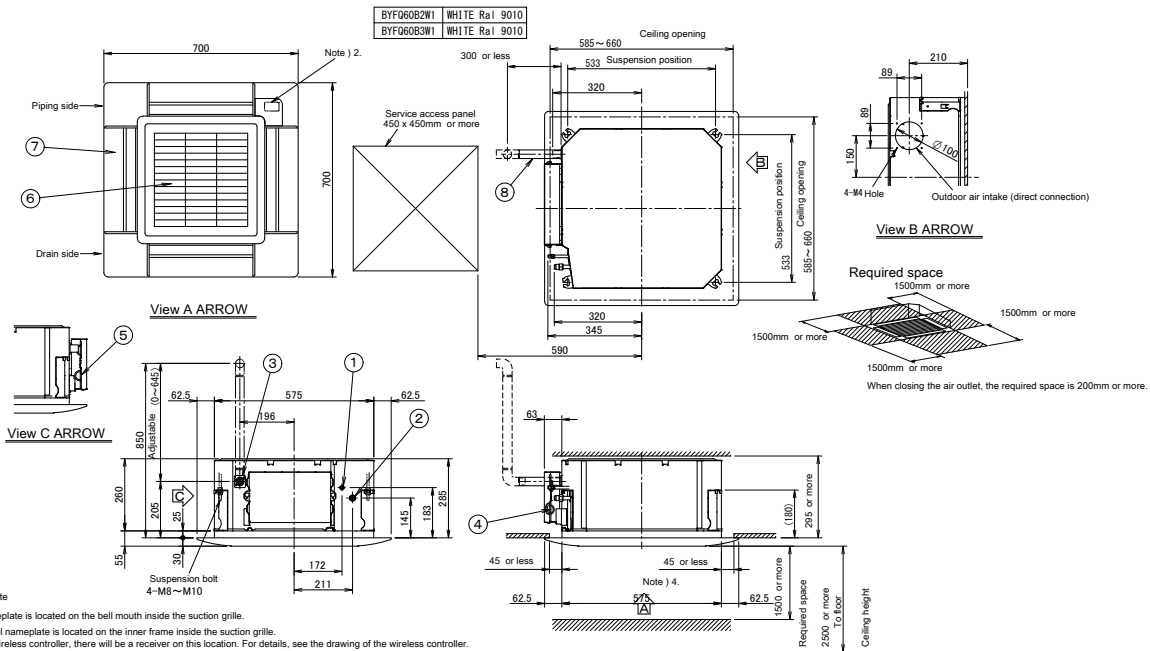
NOTE) 1. STICKING LOCATION FOR MANUFACTURE'S LABEL  
 MANUFACTURE'S LABEL FOR INDOOR UNIT: ON THE BELL MOUTH INSIDE SUCTION GRILLE  
 MANUFACTURE'S LABEL FOR DECORATION PANEL: ON THE INNER FRAME INSIDE SUCTION GRILLE  
 2. IN CASE OF USING WIRELESS REMOTE CONTROLLER, THIS POSITION WILL BE A SIGNAL RECEIVER. REFER TO THE DRAWING OF WIRELESS REMOTE CONTROLLER IN DETAIL.  
 3. WHEN THE TEMPERATURE AND HUMIDITY IN THE CEILING EXCEED 30°C AND RH 80% OR THE FRESH AIR IS INDUCED INTO THE CEILING OR THE UNIT CONTINUES 24 HOUR OPERATION, AN ADDITIONAL INSULATION (THICKNESS 10mm OR MORE OF GLASSWOOL OR POLYETHYLENE FOAM) IS REQUIRED.  
 4. THOUGH THE INSTALLATION IS ACCEPTABLE UP TO MAXIMUM OF 595mm SQUARE CEILING OPENING, KEEP THE CLEARANCE OF 10mm OR LESS BETWEEN THE MAIN UNIT AND THE CEILING OPENING SO THAT THE PANEL OVERLAP ALLOWANCE CAN BE ENSURED.

ITEM	PART NAME	REMARK	ITEM	PART NAME	REMARK
1	LIQUID PIPE CONNECTION	φ6.4 (FRAME CONNECTION)	5	REMOTE CONTROL CODE AND CONTROL WIRING CONNECTION	
2	GAS PIPE CONNECTION	φ9.5 (FRAME CONNECTION)	6	AIR DISCHARGE GRILLE	
3	DRAIN PIPE CONNECTION	VP20 (O. D. φ25)	7	SUCTION GRILLE	
4	POWER SUPPLY CONNECTION		8	DRAIN HOSE (ACCESSORY)	L. D. φ25 (OUTLET)

3D082433

### FFA25-35A9

Decoration panel



Note )  
 1. Location of nameplate  
 The indoor unit nameplate is located on the bell mouth inside the suction grille.  
 The decoration panel nameplate is located on the inner frame inside the suction grille.  
 2. When installing a wireless controller, there will be a receiver on this location. For details, see the drawing of the wireless controller.  
 3. If any of the following conditions are met, additional insulation (glass wool or polyethylene foam, thickness ≥10mm) is required:  
 Ambient conditions in the ceiling ≥30°C and 80% relative humidity.  
 Fresh air is induced into the ceiling. The unit operates continuously.  
 4. Though the installation is acceptable up to maximum 660mm square ceiling opening, keep the clearance of 45mm or less between the indoor unit and the ceiling opening, so that the panel overlap allowance can be ensured.

Item	Part name	Remark	Item	Part name	Remark
1	Liquid pipe connection	φ6.4	5	Remote control wiring intake	
2	Gas pipe connection	φ9.5	6	Air discharge grille	
3	Drain pipe connection	VP20 (O. D. φ25)	7	Air suction grille	
4	Power supply		8	Drain hose Accessory	L. D. φ25 Outlet

3D082434C

# 5 Dimensional drawings

## 5 - 1 Dimensional Drawings

**FFA50-60A9** - DECORATION PANEL

BYF60C2W1W FRESH WHITE No.5  
BYF60C2W1S DAIKIN SILVER

**NOTE 1.** STICKING LOCATION FOR MANUFACTURE'S LABEL.  
MANUFACTURE'S LABEL FOR INDOOR UNIT ON THE BELL MOUTH INSIDE SUCTION GRILLE.  
MANUFACTURE'S LABEL FOR DECORATION PANEL ON THE INNER FRAME INSIDE SUCTION GRILLE.

**NOTE 2.** IN CASE OF USING WIRELESS REMOTE CONTROLLER, THIS POSITION WILL BE A SIGNAL RECEIVER. REFER TO THE DRAWING OF WIRELESS REMOTE CONTROLLER IN DETAIL.

**NOTE 3.** WHEN THE TEMPERATURE AND HUMIDITY IN THE CEILING EXCEED 30°C AND RH 80% OR THE FRESH AIR IS INDUCED INTO THE CEILING OR THE UNIT CONTINUES 24 HOUR OPERATION, AN ADDITIONAL INSULATION (THICKNESS 10mm OR MORE OF GLASSWOOL OR POLYETHYLENE FORM) IS REQUIRED.

**NOTE 4.** THOUGH THE INSTALLATION IS ACCEPTABLE UP TO MAXIMUM OF 595mm SQUARE CEILING OPENING, KEEP THE CLEARANCE OF 10mm OR LESS BETWEEN THE MAIN UNIT AND THE CEILING OPENING SO THAT THE PANEL OVERLAP ALLOWANCE CAN BE ENSURED.

**3D082052**

**FFA50-60A9**  
Decoration panel

BYF60B2W WHITE Ral 9010  
BYF60B3W WHITE Ral 9010

**NOTE 1.** Location of nameplate  
The indoor unit nameplate is located on the bell mouth inside the suction grille.  
The decoration panel nameplate is located on the inner frame inside the suction grille.

**NOTE 2.** When installing a wireless controller, there will be a receiver on this location. For details, see the drawing of the wireless controller.

**NOTE 3.** If any of the following conditions are met, additional insulation (glass wool or polyethylene foam, thickness ≥ 10-mm) is required:  
Ambient conditions in the ceiling ≥ 30°C and 80% relative humidity.  
Fresh air is induced into the ceiling.  
The unit operates continuously.

**NOTE 4.** Though the installation is acceptable up to maximum 660-mm square ceiling opening, keep the clearance of 45-mm or less between the indoor unit and the ceiling opening, so that the panel overlap allowance can be ensured.

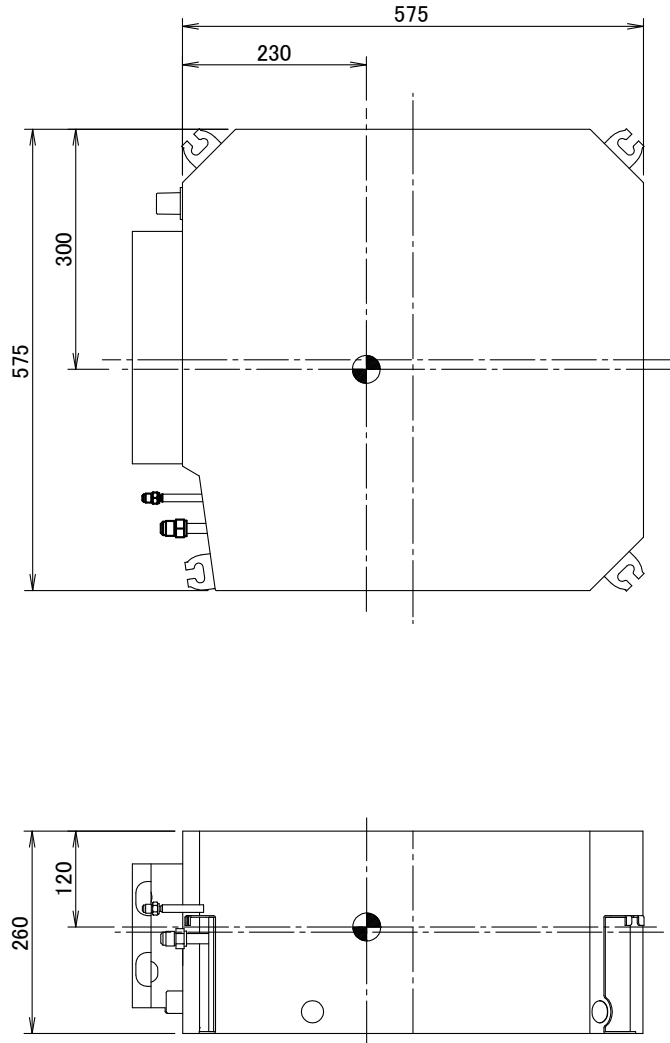
**3D082161D**

# 6 Centre of gravity

## 6 - 1 Centre of Gravity

6

FFA-A9



4D082432

# 7 Piping diagrams

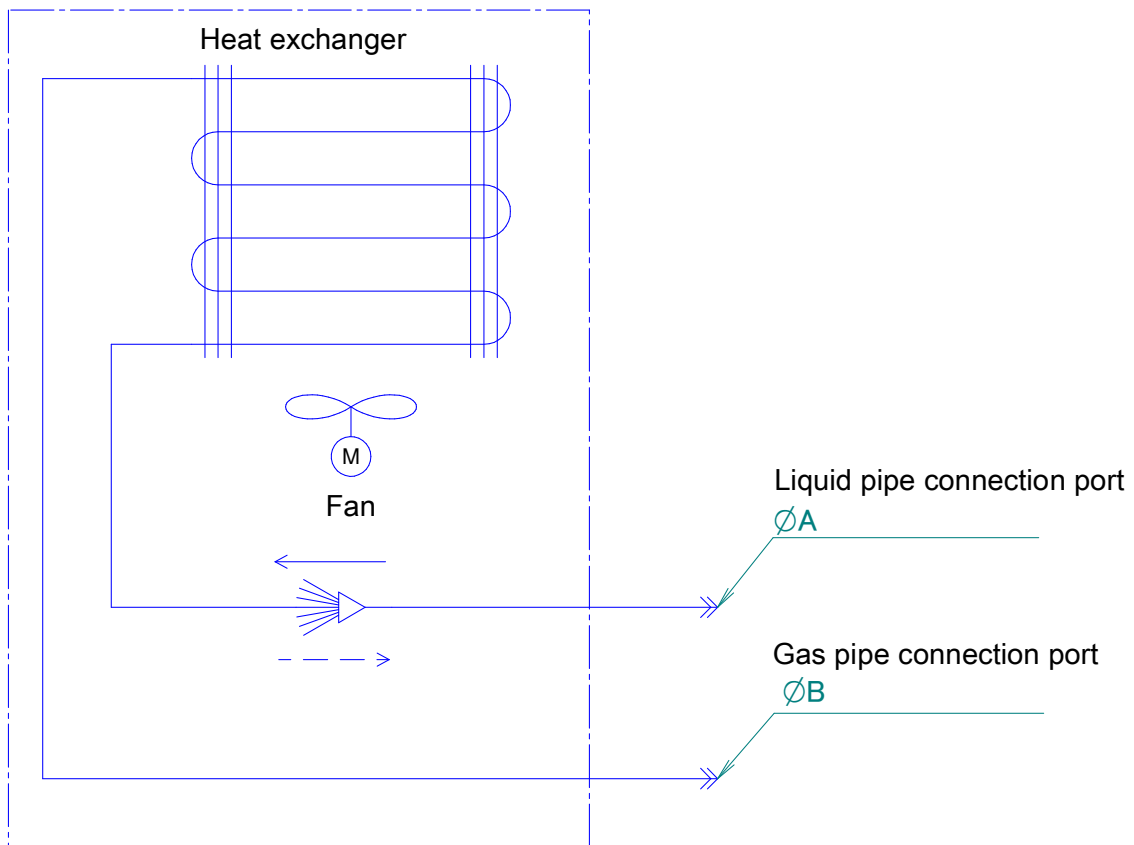
## 7 - 1 Piping Diagrams

### FFA-A9

Model	A	B
FFQ25C2VEB	6.35	9.52
FFQ35C2VEB		9.52
FFQ50C2VEB		12.7
FFQ60C2VEB		12.7
FFA25A2VEB(9)		9.52
FFA35A2VEB(9)		9.52
FFA50A2VEB(9)		12.7
FFA60A2VEB(9)		12.7

### Refrigerant flow

Cooling ———>  
 Heating - - - ->



**4D082551B**

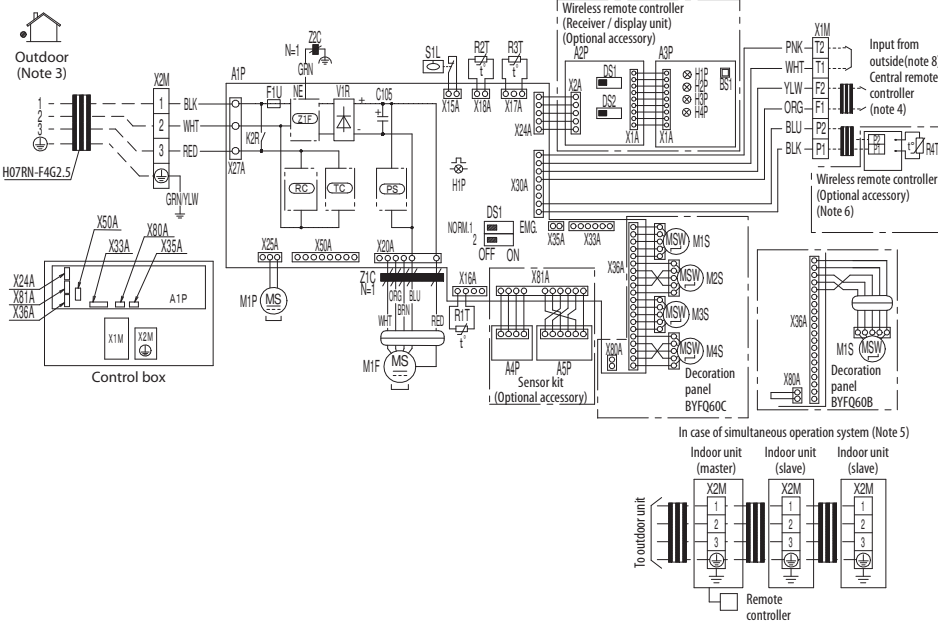
# 8 Wiring diagrams

## 8 - 1 Wiring Diagrams - Three Phase

8

FFA-A9

Wiring diagram



Indoor unit	
A1P	Printed circuit board
C105	Capacitor
DS1	Dip switch on PCB
F1U	Fuse (F, 3.15A, 250V)
H1P	Flashing lamp (service monitor green)
K2R	Magnetic relay
M1F	Fan motor
M1P	Drain pump motor
M1S • M2S	Swing motor
M3S • M4S	
R1T	Thermistor (air)
R2T • R3T	Thermistor (coil)
S1L	Float switch
V1R	Diode bridge
X1M	Terminal block
X2M	Terminal block
Z1F	Noise filter
Z1C	Ferrite core
Z2C	Ferrite core
PS	Switching power supply
RC	Receiver
TC	Transmitter
Wireless remote controller (Receiver / display unit)	
A2P • A3P	Printed circuit board
BS1	Push button switch on PCB
H1P	Pilot lamp (on-red)
H2P	Pilot lamp (timer-green)
H3P	Pilot lamp (filter sign-red)
H4P	Pilot lamp (defrost-orange)
DS1	Selector switch (main/sub)
DS2	Selector switch (wireless address set)
Sensor kit	
A4P	Printed circuit board
A5P	Printed circuit board
Wired remote controller	
R4T	Thermistor (air)
Connector for optional parts	
X24A	Connector (wiring remote controller)
X33A	Connector (adaptor for wiring)
X35A	Connector (power supply for adaptor)
X50A	Connector (WLAN adaptor)
X81A	Connector (sensor kit)

**NOTES**

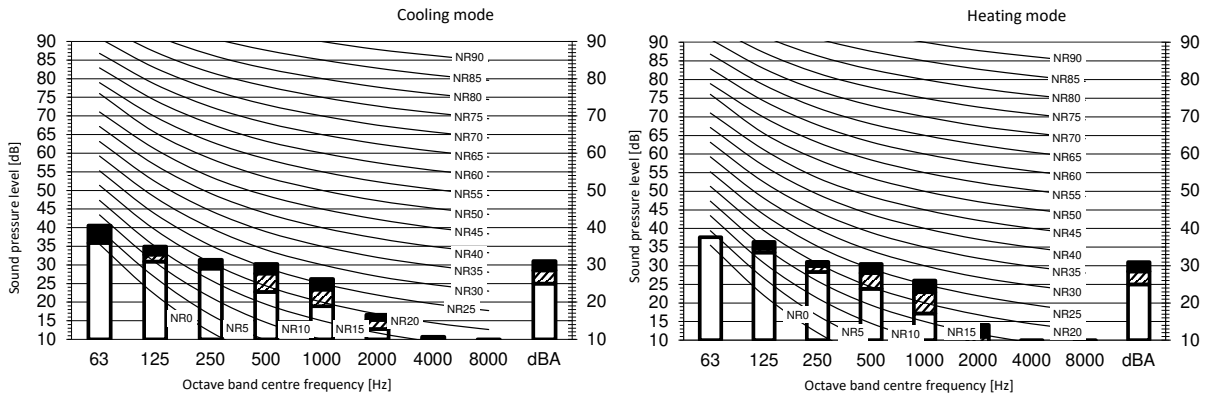
1. □ □ □ □ Terminal block, □ □ □ □ Connector, — — — — Field wiring
2. In case of simultaneous operation indoor unit system, see the indoor unit wiring only.
3. For the detail, see wiring diagram attached to outdoor unit.
4. In case using central remote controller, connect it to the unit in accordance with the attached installation manual.
5. In case of simultaneous operation system, connection quantity of the indoor units varies according to the connection outdoor unit, confirm technical guide and catalog, etc. Before connecting.
6. In case of main/sub changeover, see the installation manual attached to remote controller.
7. Symbols show as follows: BLK: black, RED: red, BLU: blue, WHT: white, YLW: yellow, GRN: green, ORG: orange, BRN: brown, PNK: pink.
8. When connecting the input wiring from outside, forced OFF or ON/OFF control operation can be selected by the remote controller. See installation manual for more details.

3D109453B

# 9 Sound data

## 9 - 1 Sound Pressure Spectrum

### FFA25A9



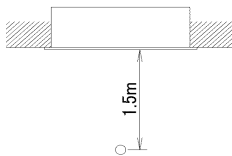
**Legend**

dBA = A-weighted sound pressure level (A scale according to IEC).

A Scale Fan speed

- B High
- C Medium
- D Low

Location of microphone



Cooling		Total dB	
A	B	C	D
dBA	31,0	28,5	25,0

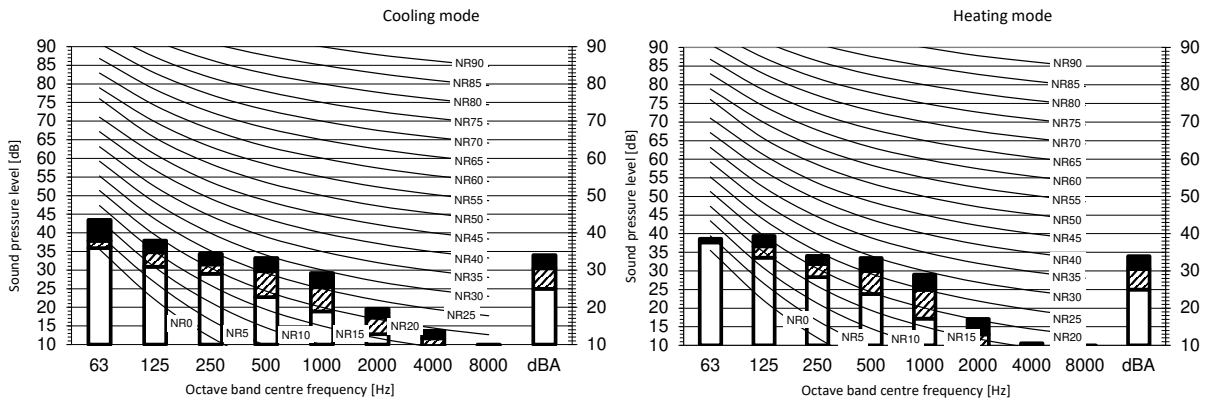
Heating		Total dB	
A	B	C	D
dBA	31,0	28,5	25,0

**Notes**

1. Operating conditions: power source 220-240 V/220 V 50/60 Hz; JIS standard
2. Background noise already taken into account.
3. Operating noise varies depending on operation and ambient conditions.
4. The operation noise measuring method is in accordance with JISC9612.
5. Measuring location: anechoic chamber

3D109998A

### FFA35A9



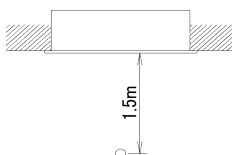
**Legend**

dBA = A-weighted sound pressure level (A scale according to IEC).

A Scale Fan speed

- B High
- C Medium
- D Low

Location of microphone



Cooling		Total dB	
A	B	C	D
dBA	34,0	30,5	25,0

Heating		Total dB	
A	B	C	D
dBA	34,0	30,5	25,0

**Notes**

1. Operating conditions: power source 220-240 V/220 V 50/60 Hz; JIS standard
2. Background noise already taken into account.
3. Operating noise varies depending on operation and ambient conditions.
4. The operation noise measuring method is in accordance with JISC9612.
5. Measuring location: anechoic chamber

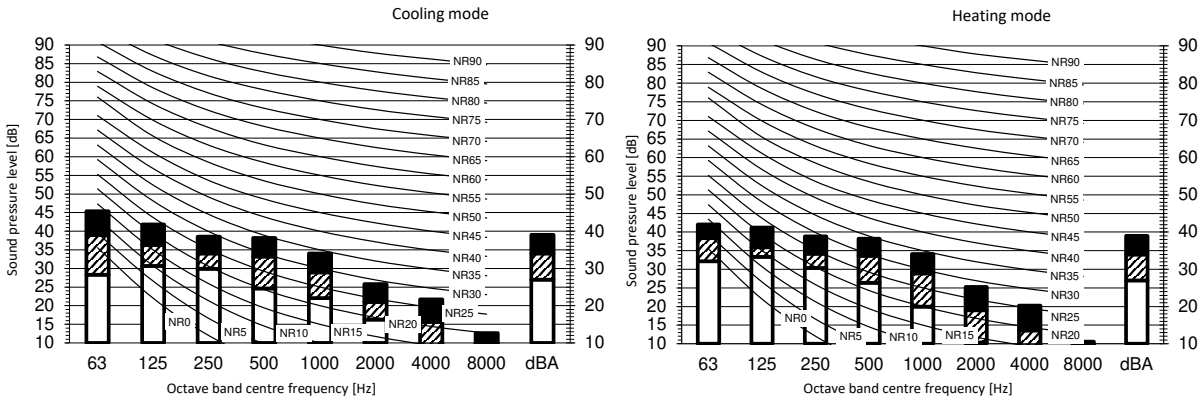
3D109999A

# 9 Sound data

## 9 - 1 Sound Pressure Spectrum

9

### FFA50A9



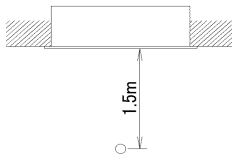
Legend

dBA = A-weighted sound pressure level (A scale according to IEC).

A Scale Fan speed

- B High
- C Medium
- D Low

Location of microphone



Cooling		Total dB	
A	B	C	D
dBA	39,0	34,0	27,0

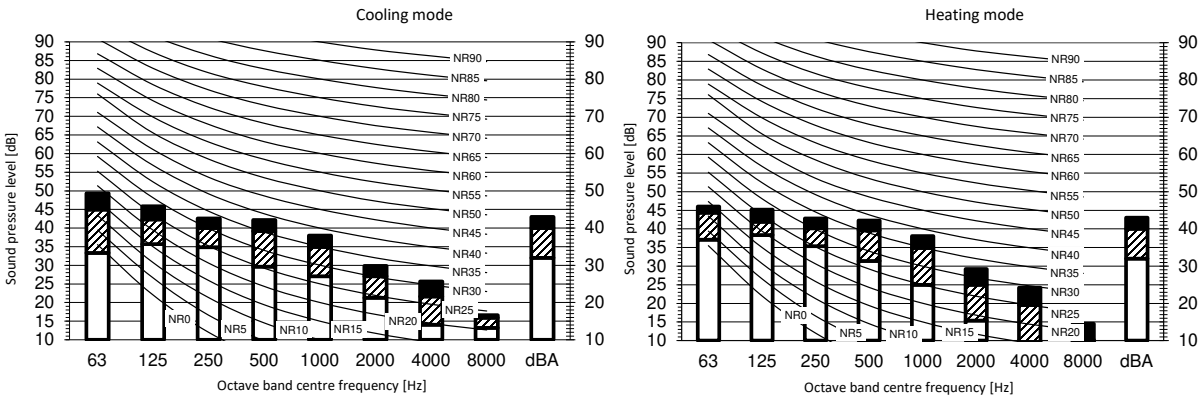
Heating		Total dB	
A	B	C	D
dBA	39,0	34,0	27,0

Notes

- Operating conditions: power source 220-240 V/220 V 50/60 Hz; JIS standard
- Background noise already taken into account.
- Operating noise varies depending on operation and ambient conditions.
- The operation noise measuring method is in accordance with JISC9612.
- Measuring location: anechoic chamber

3D110000A

### FFA60A9



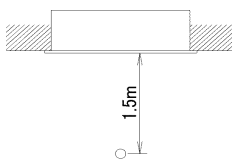
Legend

dBA = A-weighted sound pressure level (A scale according to IEC).

A Scale Fan speed

- B High
- C Medium
- D Low

Location of microphone



Cooling		Total dB	
A	B	C	D
dBA	43,0	40,0	32,0

Heating		Total dB	
A	B	C	D
dBA	43,0	40,0	32,0

Notes

- Operating conditions: power source 220-240 V/220 V 50/60 Hz; JIS standard
- Background noise already taken into account.
- Operating noise varies depending on operation and ambient conditions.
- The operation noise measuring method is in accordance with JISC9612.
- Measuring location: anechoic chamber

3D110001A



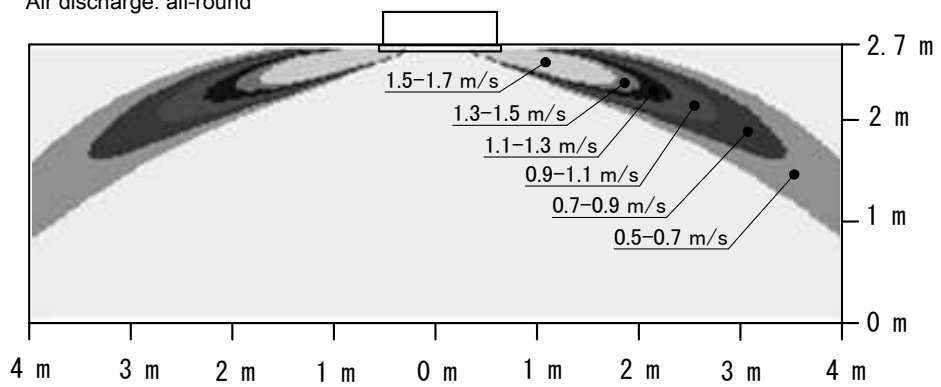
# 10 Air flow patterns

## 10 - 1 Air Flow Pattern - Cooling

FFA25A9

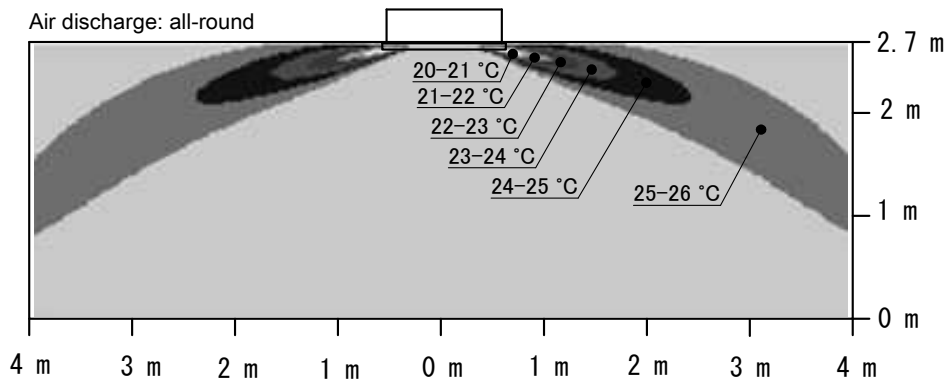
### Air velocity distribution (cooling)

Air flow direction: horizontal  
Air discharge: all-round



### Air temperature distribution (cooling)

Air flow direction: horizontal  
Air discharge: all-round



4D083819A

# 10 Air flow patterns

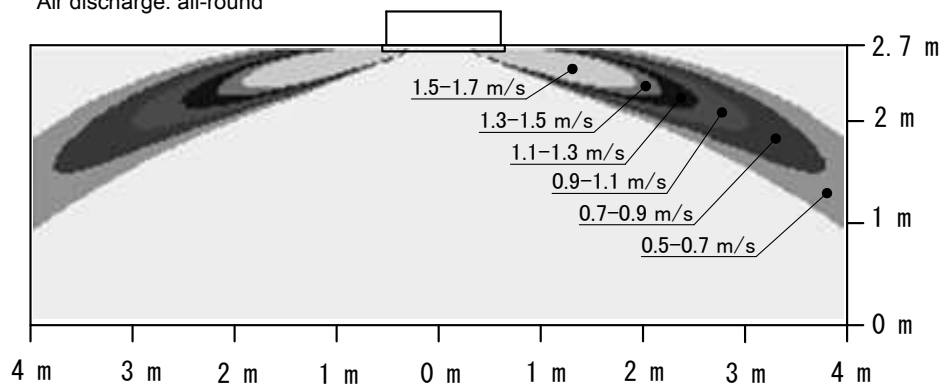
## 10 - 1 Air Flow Pattern - Cooling

10

**FFA35A9**

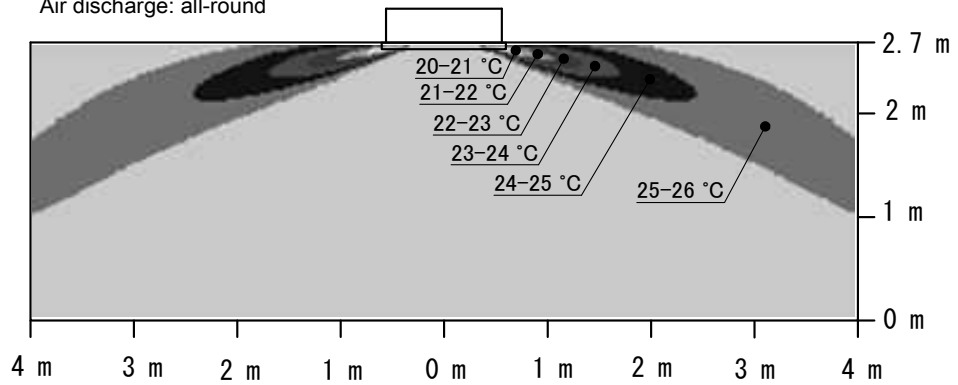
### Air velocity distribution (cooling)

Air flow direction: horizontal  
Air discharge: all-round



### Air temperature distribution (cooling)

Air flow direction: horizontal  
Air discharge: all-round



**4D083820A**

# 10 Air flow patterns

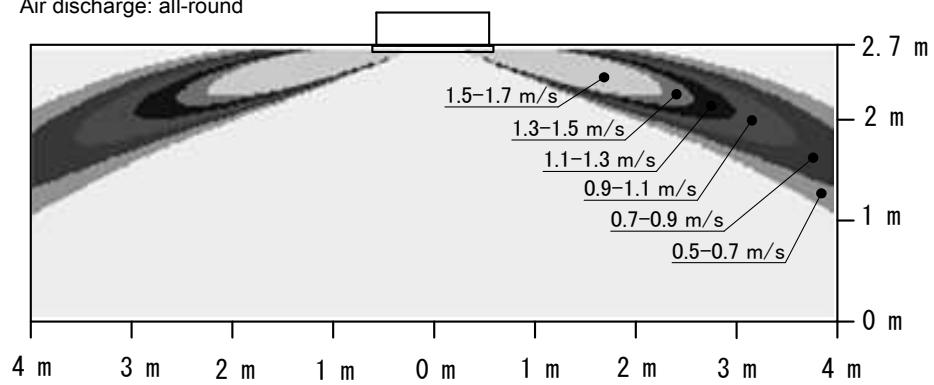
## 10 - 1 Air Flow Pattern - Cooling

FFA50A9

10

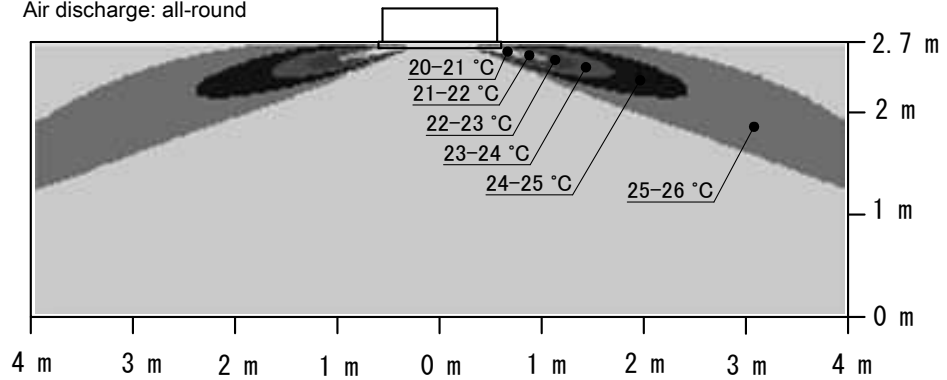
### Air velocity distribution (cooling)

Air flow direction: horizontal  
Air discharge: all-round



### Air temperature distribution (cooling)

Air flow direction: horizontal  
Air discharge: all-round



4D083821A

# 10 Air flow patterns

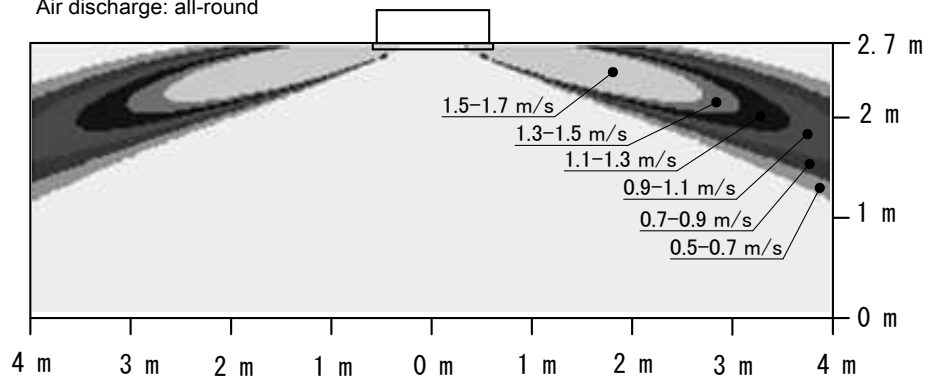
## 10 - 1 Air Flow Pattern - Cooling

10

FFA60A9

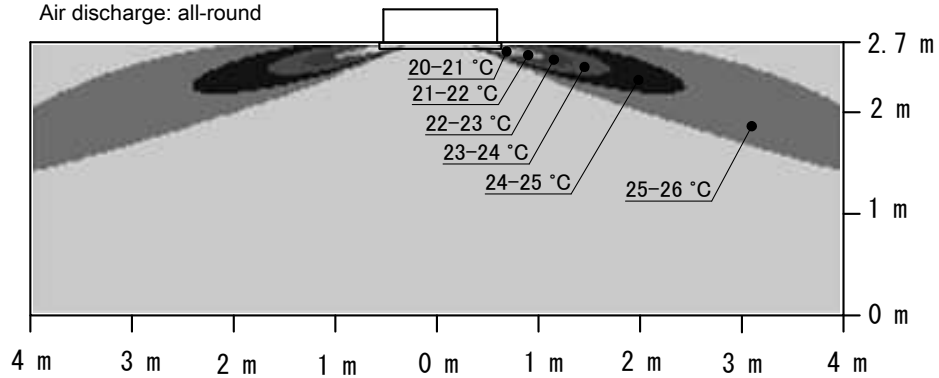
### Air velocity distribution (cooling)

Air flow direction: horizontal  
Air discharge: all-round



### Air temperature distribution (cooling)

Air flow direction: horizontal  
Air discharge: all-round



4D083822A

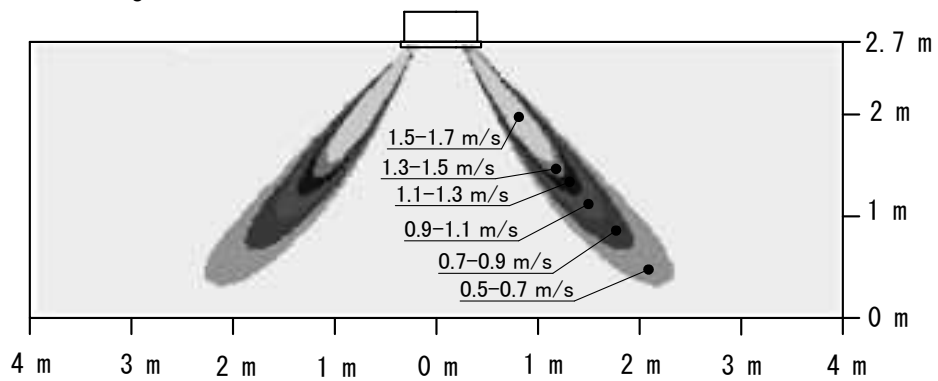
# 10 Air flow patterns

## 10 - 2 Air Flow Pattern - Heating

### FFA25A9

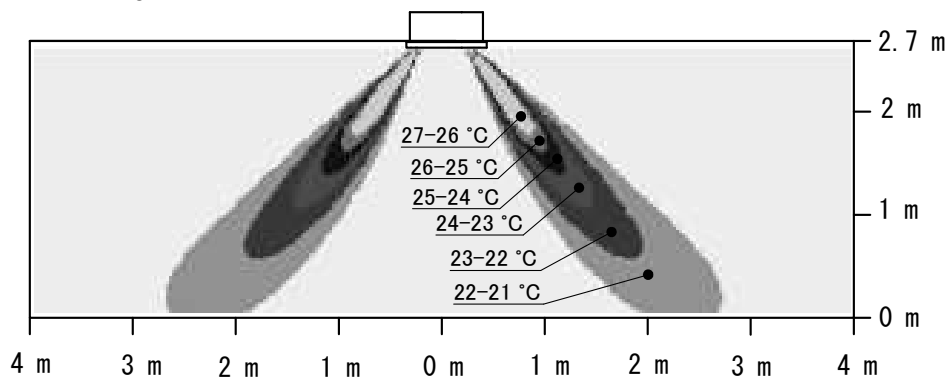
#### Air velocity distribution (heating)

Air flow direction: horizontal  
Air discharge: all-round



#### Air temperature distribution (heating)

Air flow direction: horizontal  
Air discharge: all-round



4D083829A

# 10 Air flow patterns

## 10 - 2 Air Flow Pattern - Heating

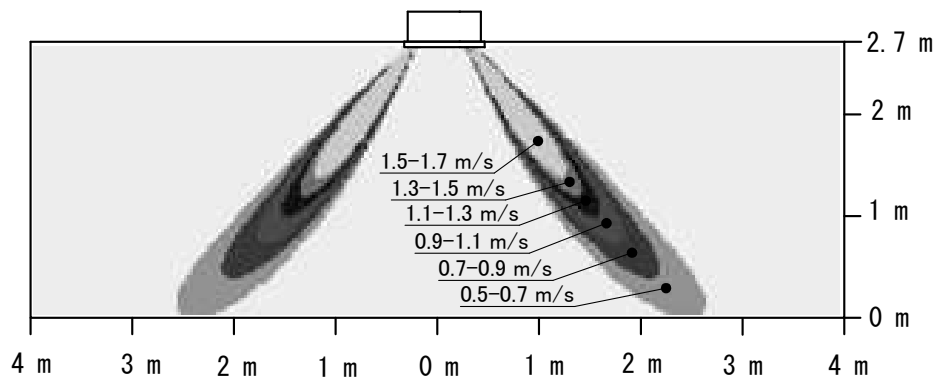
10

**FFA35A9**

### Air velocity distribution (heating)

Air flow direction: horizontal

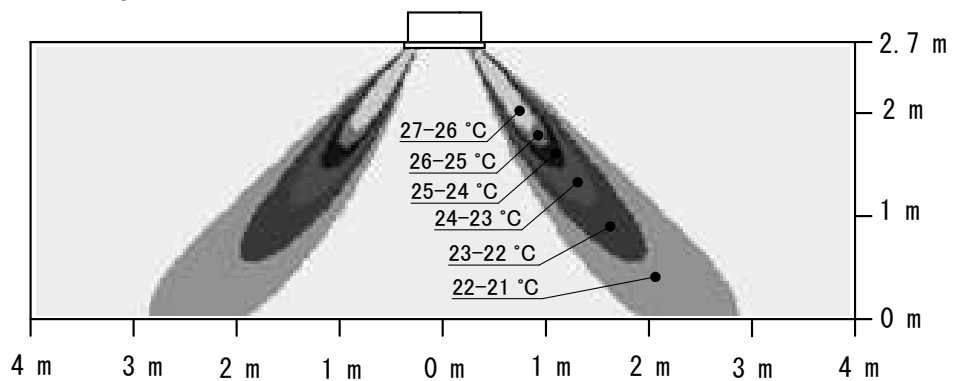
Air discharge: all-round



### Air temperature distribution (heating)

Air flow direction: horizontal

Air discharge: all-round



**4D083830A**

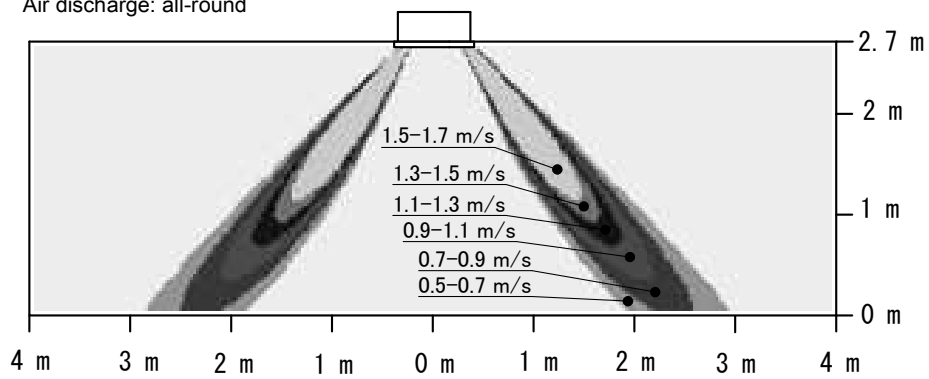
# 10 Air flow patterns

## 10 - 2 Air Flow Pattern - Heating

**FFA50A9**

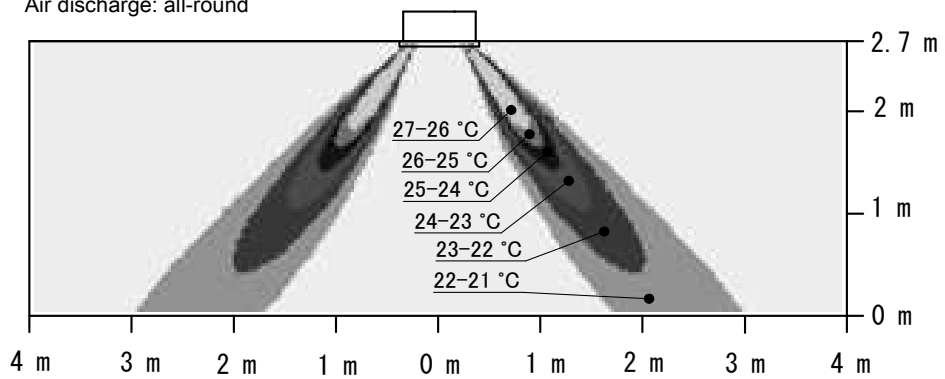
### Air velocity distribution (heating)

Air flow direction: horizontal  
Air discharge: all-round



### Air temperature distribution (heating)

Air flow direction: horizontal  
Air discharge: all-round



**4D083831A**

# 10 Air flow patterns

## 10 - 2 Air Flow Pattern - Heating

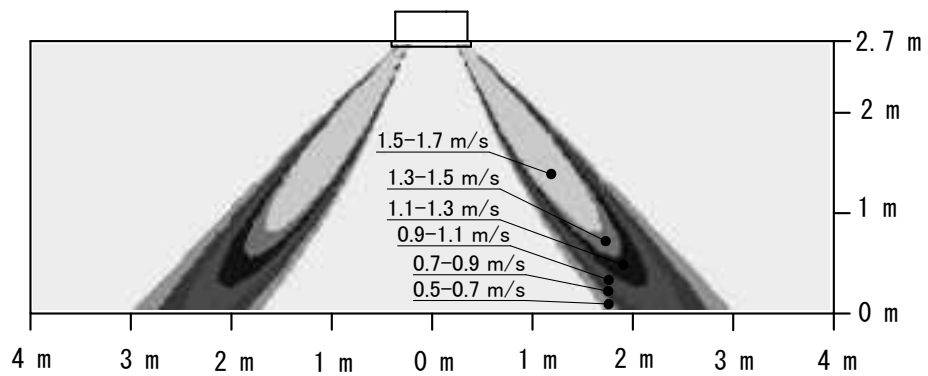
10

**FFA60A9**

### Air velocity distribution (heating)

Air flow direction: horizontal

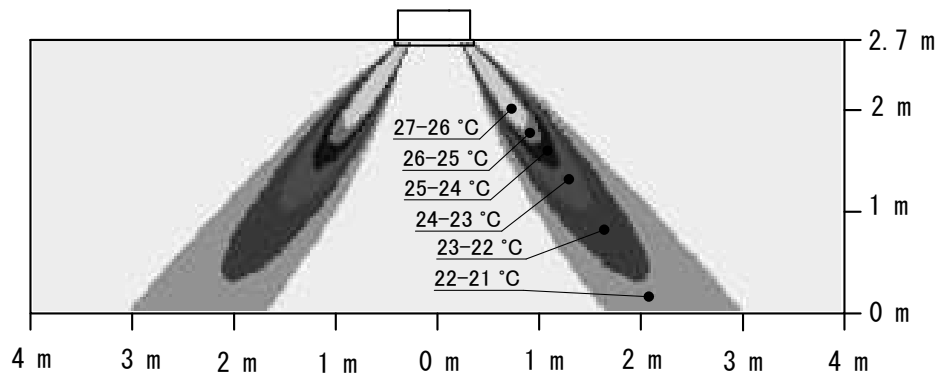
Air discharge: all-round



### Air temperature distribution (heating)

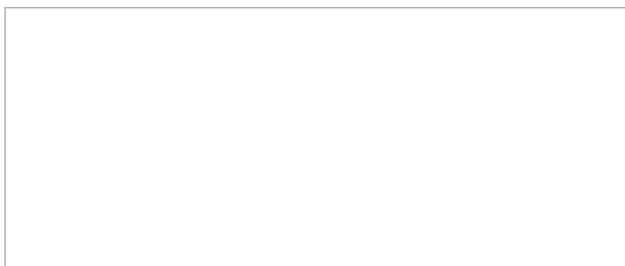
Air flow direction: horizontal

Air discharge: all-round



**4D083832A**





EEEDEN23

08/2023



The present publication is drawn up by way of information only and does not constitute an offer binding upon Daikin Europe N.V. / Daikin Central Europe HandelsGmbH. Daikin Europe N.V. / Daikin Central Europe HandelsGmbH have compiled the content of this publication to the best of their knowledge. No express or implied warranty is given for the completeness, accuracy, reliability or fitness for particular purpose of its content and the products and services presented therein. Specifications are subject to change without prior notice. Daikin Europe N.V. / Daikin Central Europe HandelsGmbH explicitly rejects any liability for any direct or indirect damage, in the broadest sense, arising from or related to the use and/or interpretation of this publication. All content is copyrighted by Daikin Europe N.V.