

Product Code: PFGE-15, PFGE-22, PFGE-28, PFGE-35, PFGE-42, PFGE-54

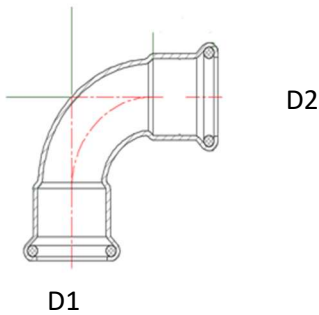
Product Description: Press Fit Gas Elbows



Product Specification:

Material: Copper

Size: 15mm, 22mm, 28mm, 35mm, 42mm, 54mm



Code	D1	D2
PFGE-15	15	15
PFGE-22	22	22
PFGE-28	28	28
PFGE-35	35	35
PFGE-42	42	42
PFGE-54	54	54

Features and Benefits

Simple and efficient flame free jointing system which is both time and labour saving. It creates a lifelong, leak proof joint when used appropriately with certified copper tube and offers a safer solution than either silver solder or compression fittings.

Marking on Body

'Gas'

Technical Data	
Field of Application	Gas Systems
Max. Working Pressure	16 Bar
Max. Working Temperature	-24°C to +110°C
Other Standards/Approvals	BSI Kitemark and WRAS Approval