

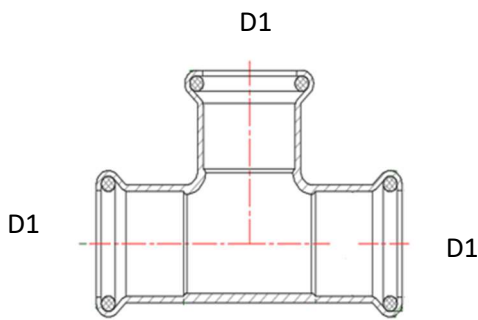
Product Code: PFGET-15, PFGET-22, PFGEC-28, PFGEC-35, PFGEC-42, PFGEC-54

Product Description: Press Fit Gas Equal Tee

Product Specification:

Material: Copper

Size: 15, 22, 28, 35, 42 and 54mm



Code	D1
PFGET-15	15
PFGET-22	22
PFGET-28	28
PFGET-35	35
PFGET-42	42
PFGET-54	54

Features and Benefits

Simple and efficient flame free jointing system which is both time and labour saving. It creates a lifelong, leak proof joint when used appropriately with certified copper tube and offers a safer solution than either silver solder or compression fittings.

Marking on Body

'Gas'

Technical Data	
Field of Application	Gas Systems
Max. Working Pressure	16 Bar
Max. Working Temperature	-24°C to +110°C
Other Standards/Approvals	BSI Kitemark and WRAS Approval