

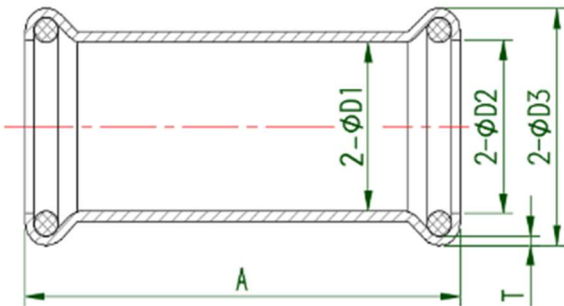
Product Code: PFWCS-15, PFWCS-22, PFWCS-28, PFWCS-35, PFWCS-42, PFWCS-54

Product Description: Press Fit M Profile Slip Coupling

Product Specification:

Material: Copper

Sizes: 15, 22, 28, 35, 42 and 54mm.



Code	D1	A	D3
PFWCS-15	15.2	80	22.7
PFWCS-22	22.2	80	30.8
PFWCS-28	28.2	90	37
PFWCS-35	35.3	102	43.9
PFWCS-42	42.3	120	52.8
PFWCS-54	54.3	140	64.85

Features and Benefits

Simple and efficient flame free jointing system which is both time and labour saving. It creates a lifelong, leak proof joint when used appropriately with certified copper tube and offers a safer solution than either silver solder or compression fittings.

Marking on Body

'MB' - MidBrass

Technical Data	
Field of Application	Water – Potable and Central Heating Systems
Max. Working Pressure	16 Bar
Max. Working Temperature	-24°C to +110°C
Other Standards/Approvals	BSI Kitemark and WRAS Approval