



## PACi NX wall-mounted PK3 Elite

### 1. Superior energy efficiency and comfort

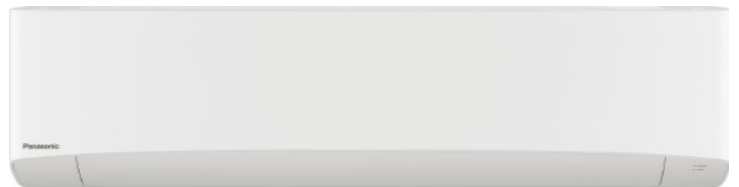
- Energy class A++ both in heating and cooling in most capacities
- DC fan for better efficiency and control

### 2. Compact design with easy installation

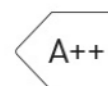
- Modern design with flat face and compact size
- Piping outlet in six directions
- Wired remote controller CZ-RTC6WBL and CZ-RTC6BL allows easy system setting via Bluetooth®

### 3. Better indoor air quality with nanoe™ X

- nanoe™ X technology equipped as standard



PACi



PACi NX Series

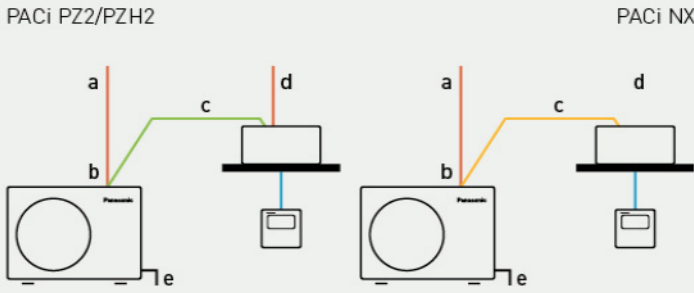


PACi NX Series for absolute ease of refurbishment. The next generation is here

NX Series with R32 refrigerant has been developed to meet the demand of easy refurbishment with 3 wire method. It makes it simple and easy to replace old systems with 3 wire connections, which is prevalent in many systems.

PACi PZ2/PZH2: 2 wire method. - PACi NX Series: 3 wire method.

a. Power supply - b: Outdoor unit power wiring - c: Signal wiring (2 wire shielded) - d: Power supply - e: Earth - f: Power + Signal Wiring (3 wire + earth)



PACi NX Elite – Top-tier commercial air conditioning

This series provide outstanding seasonal performance at extreme ambient condition both in heating and cooling.

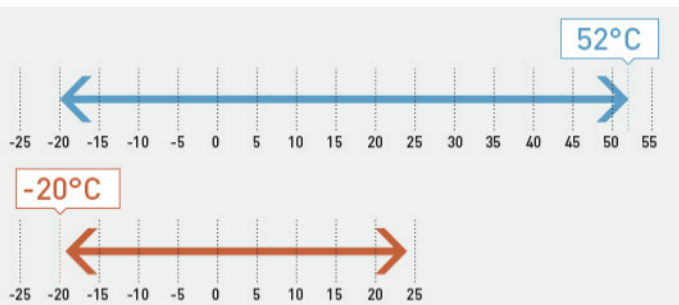
- Absolute ease of refurbishment
- Low-height single fan outdoor unit design
- Top class SEER: A++ / SCOP: A++ in most capacities
- Operation range up to 52°C in cooling and down to -20°C in heating
- Maximum piping length 100m

a: Energy class<sup>1)</sup> and seasonal efficiency value ( $\eta_{s,c} / \eta_{s,h}$ )<sup>2)</sup>.

1) Energy label scale from A+++ to D for models below 12,0kW (EU regulation 626/2011). 2)  $\eta_{s,c}$  /  $\eta_{s,h}$  values for models above 12,0kW (EN 14825).



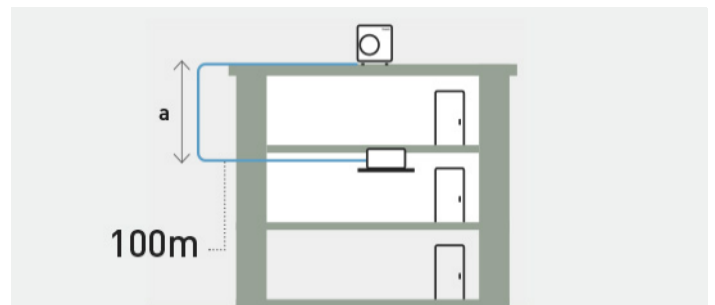
a	❄️	🔥
3,6kW	A++	A++
5,0kW	A++	A++
6,0kW	A++	A++
7,1kW	A++	A++
10,0kW	A++	A



PACi NX Elite – Extended operation range up to 52°C in cooling and down to -20°C in heating

Upgraded PACi NX Elite Series are capable of working even in the challenging ambient conditions. Cooling operation is possible when outdoor temperature is as low as -20°C or as high as 52°C. Heating operation can also be utilized at outdoor temperatures down to -20°C when outdoor temperature is as low as -20°C.

\* For models 10,0 – 14,0kW.



PACi NX Elite – Long piping allowance maximum 100m\*

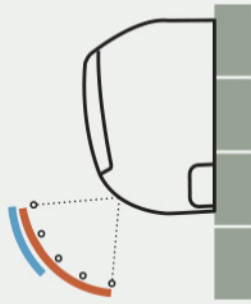
Increased piping length gives great design flexibility to adapt various building types and sizes.

Piping length: 100m (10,0 to 14,0kW), 60m (7,1kW), 40m (>7,1kW).

a: Maximum height difference between outdoor unit and indoor unit: 30m (15m if the outdoor unit is below the indoor unit).

\* For models 10,0 – 14,0kW.

PACi NX Series



**Air distribution is automatically altered depending on the operational mode of the unit**

Air outlet angle is automatically adjusted for cooling and heating operation.

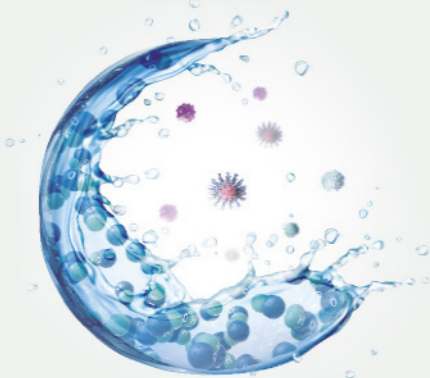
**Closed discharge port**

When the unit is turned OFF, the flap closes completely to prevent dust getting into the unit and to keep the equipment clean.



**Piping outlet in six directions**

Piping outlet is possible in six directions of; right, right rear, right bottom, left, left rear and left bottom, making the installation work more flexible.



**Bringing nature's balance indoors**

**nanoe™ X, technology with the benefits of hydroxyl radicals**

Abundant in nature, hydroxyl radicals have the capacity to inhibit pollutants. nanoe™ X, technology can bring these incredible benefits indoors so that hard surfaces, soft furnishings, and the indoor environment can be a cleaner and pleasant place to be.

**7 effects of nanoe™ X – Panasonic unique technology**

- 1. Capacity to inhibit 5 types of pollutants:** Bacteria and viruses - Mould - Allergens - Pollen - Hazardous substances
- 2. Deodorises:** Odours
- 3. Moisturises:** Skin and hair



**nanoe™ X: improving protection 24/7**

Acts to clean your air, so that the indoor environment can be a cleaner and more pleasant place to be all day long. nanoe™ X works together with heating or cooling function when you are at home and can work independently when you are away. Give the air conditioning the strength to increase the protection at home with nanoe™ X technology and convenient control via the Panasonic Comfort Cloud App.



**Comparison of time required to inhibit 99% of cedar pollen**

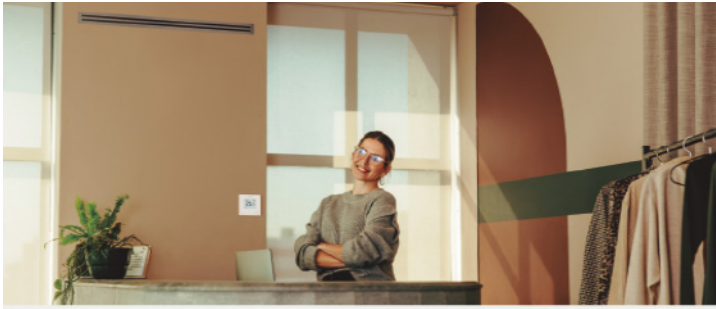
The result of nanoe X Generator Mark 3. Inhibits pollen in 1/4 the time of nanoe X Generator Mark 2\*.

\* Effect after 3 hours in a test space of approx. 24m<sup>3</sup>. The figures are not the results of testing in an actual operating space.

PACi NX Series Elite wall-mounted Inverter+ - R32

PACi NX Series Elite wall-mounted Inverter+ - R32		SINGLE PHASE			THREE PHASE		
		3.6 kW	7.1 kW	10.0 kW	7.1 kW	7.1 kW	10.0 kW
Kit		KIT-36PK3ZH5 CZ-RTC5B	KIT-71PK3ZH45 CZ-RTC5B	KIT-100PK3ZH45 CZ-RTC5B	KIT-71PK3ZH8 CZ-RTC5B	KIT-71PK3ZH48 CZ-RTC5B	KIT-100PK3ZH48 CZ-RTC5B
Remote controller							
Cooling capacity (Nominal)	kW	3,6	7,1	9,5	7,1	7,1	9,5
Cooling capacity (Min)	kW	1,2	2,2	3,1	2,2	2,2	3,1
Cooling capacity (Max)	kW	4,0	9,0	10,5	9,0	9,0	10,5
EER (Nominal) (1)	W/W	4,93	3,50	3,21	3,50	3,50	3,21
EER (Min) (1)	W/W	5,45	2,69	3,09		2,69	3,09
EER (Max) (1)	W/W	4,49	5,79	5,34		5,79	5,34
SEER (2)		8,4 A++	6,8 A++	6,4 A++	6,7 A++	6,7 A++	6,3 A++
Pdesign (cooling)	kW	3,6	7,1	9,5	7,1	7,1	9,5
Input power cooling (Nominal)	kW	0,73	2,03	2,96	2,03	2,03	2,96
Input power cooling (Min)	kW	0,22	0,38	0,58		0,38	0,58
Input power cooling (Max)	kW	8,90	3,35	3,40		3,35	3,40
Annual energy consumption cooling (3)	kWh/a	150	365	520	370	370	526
Heating capacity (Nominal)	kW	4,0	8,0	9,5	8,0	8,0	9,5
Heating capacity (Min)	kW	1,2	2,0	3,1	2,0	2,0	3,1
Heating capacity (Max)	kW	5,0	9,0	11,5	9,0	9,0	11,5
COP (Nominal) (1)	W/W	4,82	4,00	3,88	4,00	4,00	3,88
COP (Min) (1)	W/W	5,45	3,16	3,43		3,16	3,43
COP (Max) (1)	W/W	4,17	5,56	5,54		5,56	5,54
SCOP (2)		4,9 A++	4,7 A++	3,9 A	4,7 A++	4,7 A++	3,9 A
Pdesign at -10°C	kW	3,6	5,2	8,0	5,2	5,2	8,0
Input power heating (Nominal)	kW	0,83	2,00	2,45	2,00	2,00	2,45
Input power heating (Min)	kW	0,22	0,36	0,56		0,36	0,56
Input power heating (Max)	kW	1,20	2,85	3,35		2,85	3,35
Annual energy consumption heating (3)	kWh/a	1.029	1.549	2.871	1.549	1.549	2.871
Indoor unit		S-3650PK3E	S-6010PK3E	S-6010PK3E	S-6010PK3E	S-6010PK3E	S-6010PK3E
Indoor air flow (Hi)	m³/min	13,0	20,0	22,0	20,0	20,0	22,0
Indoor air flow (Med)	m³/min	11,0	17,5	18,5	17,5	17,5	18,5
Indoor air flow (Lo)	m³/min	9,0	14,5	15,5	14,5	14,5	15,0
Moisture removal volume	L/h	0,9	3,0	4,8	3,0	3,0	4,8
Indoor sound pressure (Med) (4)	dB(A)	31	44	45	44	44	45
Indoor sound pressure (Lo) (4)	dB(A)	27	40	41	40	40	41
Indoor sound power (Hi)	dB(A)	51	63	65	63	63	65
Indoor sound power (Med)	dB(A)	47	60	61	60	60	61
Indoor sound power (Lo)	dB(A)	43	56	57	56	56	57
Indoor dimension (Height)	mm	302	302	302	302	302	302
Indoor dimension (Width)	mm	1.120	1.120	1.120	1.120	1.120	1.120
Indoor dimension (Depth)	mm	236	236	236	236	236	236
Indoor net weight	kg	13	14	14	14	14	14
nanoe X Generator		Mark 2	Mark 2	Mark 2	Mark 2	Mark 2	Mark 2
Outdoor unit		U-36PZH3E5	U-71PZH4E5	U-100PZH4E5	U-71PZH3E8	U-71PZH4E8	U-100PZH4E8
Outdoor power source	V	220 - 230 - 240	220 - 230 - 240	220 - 230 - 240	380 - 400 - 415	380 - 400 - 415	380 - 400 - 415
Current in cooling (1p 220V / 3p 380)	A	3,60	10,3	14,60	3,40	3,45	4,95
Current in cooling (1p 230V / 3p 400)	A	3,45	9,80	14,00	3,25	3,25	4,70
Current in cooling (1p 240V / 3p 415)	A	3,30	9,40	13,4	3,15	3,15	4,50
Current in heating (1p 220V / 3p 380)	A	4,05	10,10	12,00	3,30	3,40	4,10
Current in heating (1p 230V / 3p 400)	A	3,90	9,65	11,60	3,15	3,20	3,90
Current in heating (1p 240V / 3p 415)	A	3,70	9,25	11,10	3,05	3,10	3,70
Outdoor air flow (Cool)	m³/min	34,1	62,0	76,0	61,0	62,0	76,0
Outdoor air flow (Heat)	m³/min	36,4	66,0	70,0	60,0	66,0	70,0
Outdoor sound pressure (Cool -Hi)	dB(A)	43	48	52	48	48	52
Outdoor sound pressure (Heat -Hi)	dB(A)	44	50	52	50	50	52
Outdoor sound power (Cool -Hi)	dB(A)	62	65	69	65	65	69
Outdoor sound power (Heat -Hi)	dB(A)	64	67	69	67	67	69
Outdoor dimension (Height)	mm	695	996	996	996	996	996
Outdoor dimension (Width)	mm	875	980	980	940	980	980
Outdoor dimension (Depth)	mm	320	370	370	340	370	370
Outdoor net weight	kg	42	66	84	65	66	82
Pipe diameter (Liquid)	Inch (mm)	1/4 (6,35)	3/8 (9,52)	3/8 (9,52)	3/8 (9,52)	3/8 (9,52)	3/8 (9,52)
Pipe diameter (Gas)	Inch (mm)	1/2 (12,70)	5/8 (15,88)	5/8 (15,88)	5/8 (15,88)	5/8 (15,88)	5/8 (15,88)
Pipe length range	m	3 ~ 40	5 ~ 60	5 ~ 100	5 ~ 50	5 ~ 60	5 ~ 100
Elevation difference (in/out) (7)	m	15 / 30 (8)	15 / 30	15 / 30	15 / 30 (8)	15 / 30	15 / 30
Pipe length for additional gas	m	30	30	30	30	30	30
Additional gas amount	g/m	15	30	40	45	30	40
Refrigerant (R32) / CO2 Eq.	kg / T	1,13 / 0,76	1,95 / 1,32	2,70 / 1,82	1,95 / 1,32	1,95 / 1,32	2,70 / 1,82
Operating range (Cool - Min)	°C	-15	-15	-20 (8)	-15	-15	-20 (8)
Operating range (Cool - Max)	°C	+46	+52	+52	+48	+52	+52
Operating range (Heat - Min)	°C	-20	-20	-20	-20	-20	-20
Operating range (Heat - Max)	°C	+24	+24	+24	+24	+24	+24

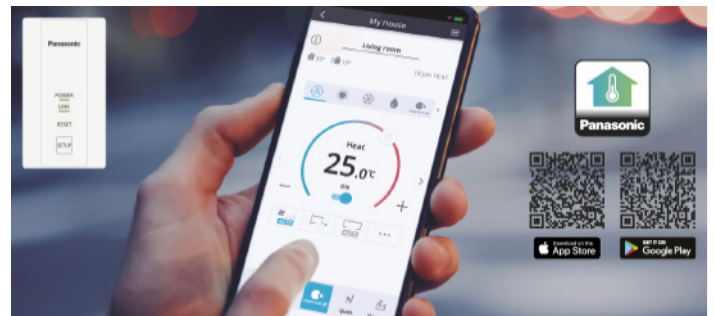
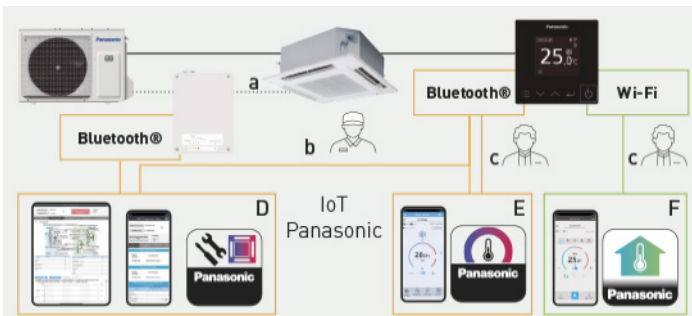
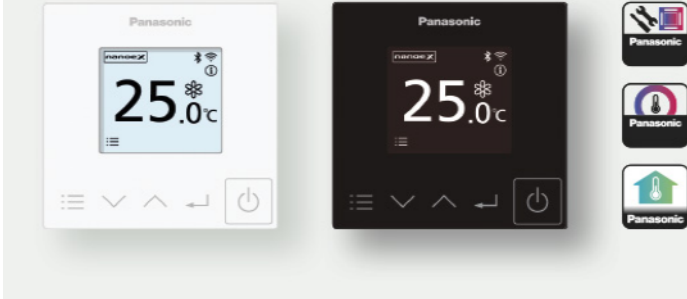
Smart & intuitive controls for PACi NX Series



**CONEX provides comfort and control for varying user needs**

CONEX with IoT integration. Not only detailed operation and maintenance settings are possible with the smartphone or tablet, but also service and diagnostic functions.

1. **Intuitive control** with stylish design
2. **Control comfort** with your smartphone
3. **Easy maintenance** with service support app



**CONEX with IoT integration**

The wired remote controller series is fully integrated with IoT solutions developed by Panasonic. Detailed operation, maintenance setting and service operation are all possible with smartphone or tablet.

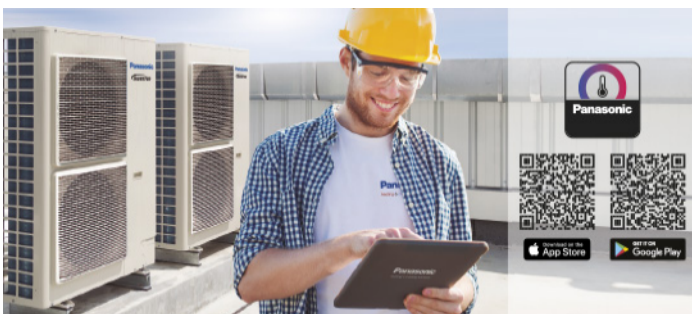
**a:** Service checker interface - **b:** Panasonic service and installer - **c:** End user - **D:** Panasonic H&C Diagnosis App - **E:** Panasonic H&C Control App **F:** Panasonic Comfort Cloud App

**Commercial Wi-Fi Adaptor for Panasonic Comfort Cloud App**

- For end user · Connection via Wi-Fi
- Commercial Wi-Fi Adaptor (CZ-CAPWFC1) required

**Features:** · Remote control and monitoring 24/7/365 · Scheduling · Error alerts · From 1 to 200 units · Voice control compatible · Multi user · Easy scheduling · Energy monitor · Error codes

\* CZ-RTC6WBLW or CZ-RTC6BLW required.



**Panasonic H&C Diagnosis App**

- Tool for diagnosis and troubleshooting
- For service and installer · Connection via Bluetooth®

**Features:** · AC control (system view, refrigerant circuit view) · Real-time data (indoor/outdoor unit) · Refrigerant cycle diagram and graph · Data recording · History data · Error code tables

\* A service checker interface is required when this app is used from outdoor location. Wired remote controller (CZ-RTC6WBL, CZ-RTC6BL, CZ-RTC6WBLW or CZ-RTC6BLW) is required when this app is used from indoor location. Compatible with PZ3 and PZH3 outdoor units.



**Panasonic H&C Control App**

- For end user, service and installer · Connection via Bluetooth®

**Detailed operation setting features:** · Basic settings · Weekly timer · All energy saving functions · Key lock · Ventilation fan control etc

**Detailed maintenance setting features:** · Alarm display and history · Filter sign · Test run · Sensor value monitor etc

\* CZ-RTC6WBL, CZ-RTC6BL, CZ-RTC6WBLW or CZ-RTC6BLW required.

Accessories



Smart multi-site control solution

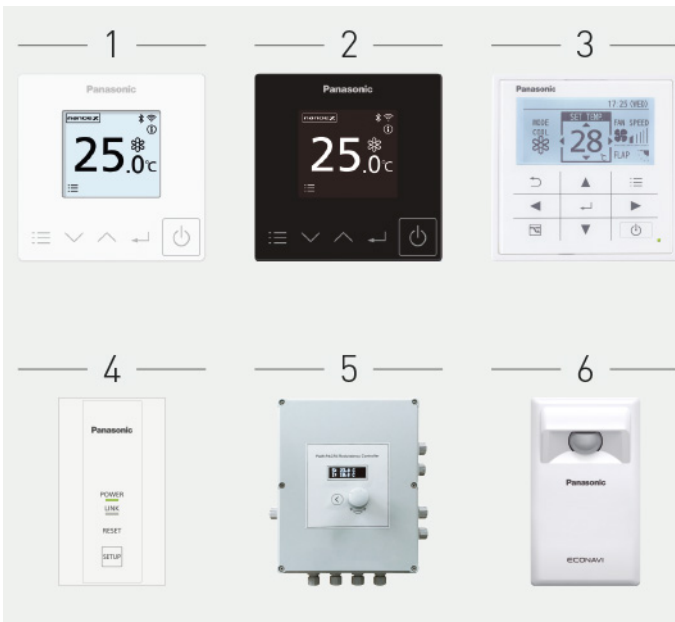
Panasonic AC Smart and Service Cloud is the modern and scalable energy management system for your heating and cooling solutions. One screen with endless possibilities.

AC Smart Cloud for owner and facility manager.

- Multi-site monitoring · Schedule setting · Powerful statistics for energy savings · Maintenance notification

AC Service Cloud for service and installer.

- All sites at a glance with alarm status · Self diagnosis function · Maintenance planning · Service checker parameters available for the analysis



Accessories

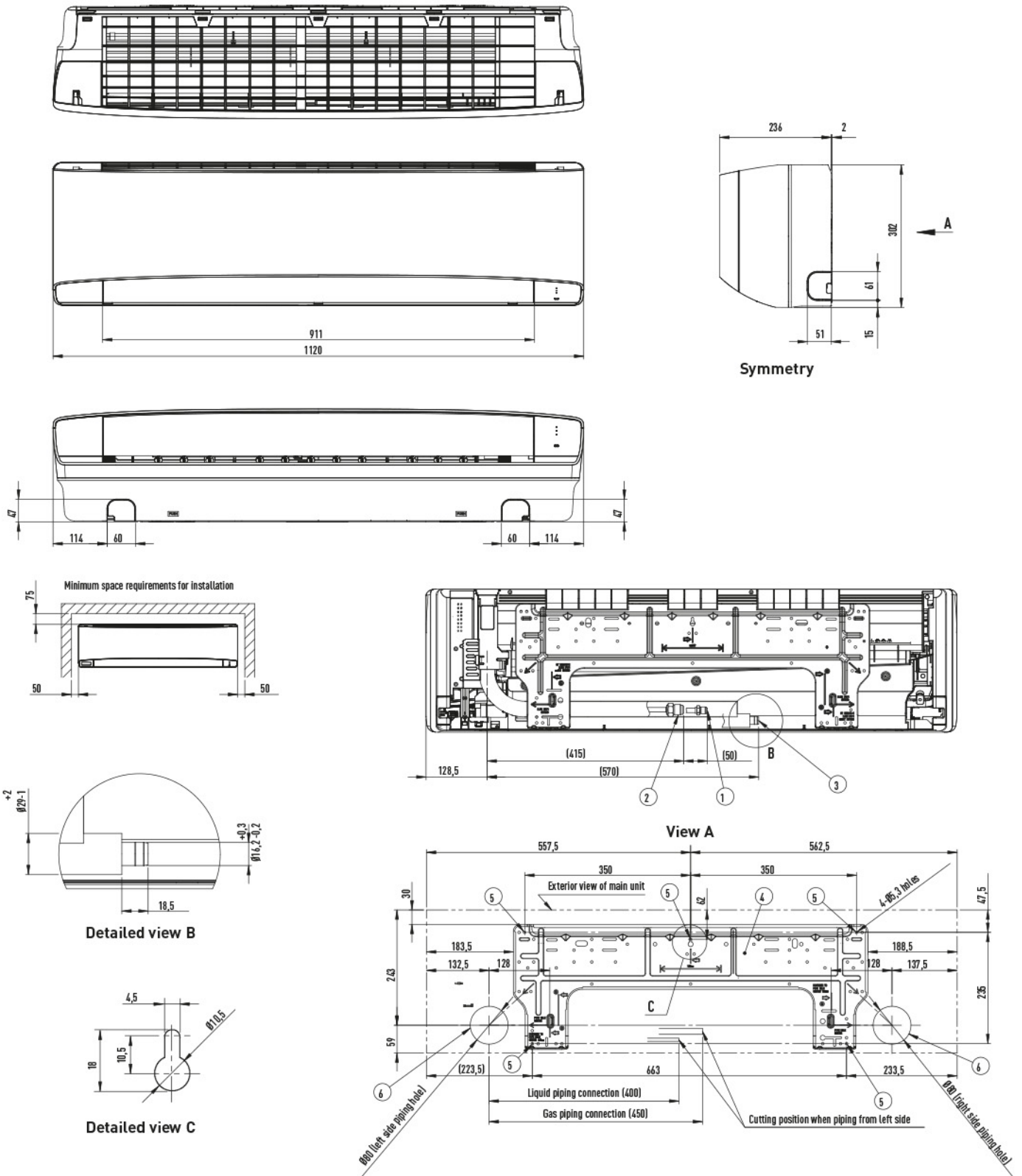
1. CZ-RTC6W	CONEX wired remote controller (non-wireless), white
1. CZ-RTC6WBL	CONEX wired remote controller with Bluetooth®, white
1. CZ-RTC6WBLW	CONEX wired remote controller with Wi-Fi and Bluetooth®, white
2. CZ-RTC6	CONEX wired remote controller (non-wireless), black
2. CZ-RTC6BL	CONEX wired remote controller with Bluetooth®, black
2. CZ-RTC6BLW	CONEX wired remote controller with Wi-Fi and Bluetooth®, black
3. CZ-RTC5B	Wired remote controller with Econavi function and datanavi
4. CZ-CAPWFC1	Commercial Wi-Fi Adaptor
5. PAW-PACR4	Interface to run up to 4 indoor unit groups on backup and alternative run
6. CZ-CENSC1	Econavi energy saving sensor



Accessories

7. CZ-RWS3	Infrared remote controller
8. PAW-WTRAY	Tray for condenser water compatible with outdoor elevation platform
9. PAW-GRDBSE20	Outdoor base ground support for noise and vibration absorption
10. PAW-GRDSTD40	Outdoor elevation platform 400x 900x 400 mm

Dimensions



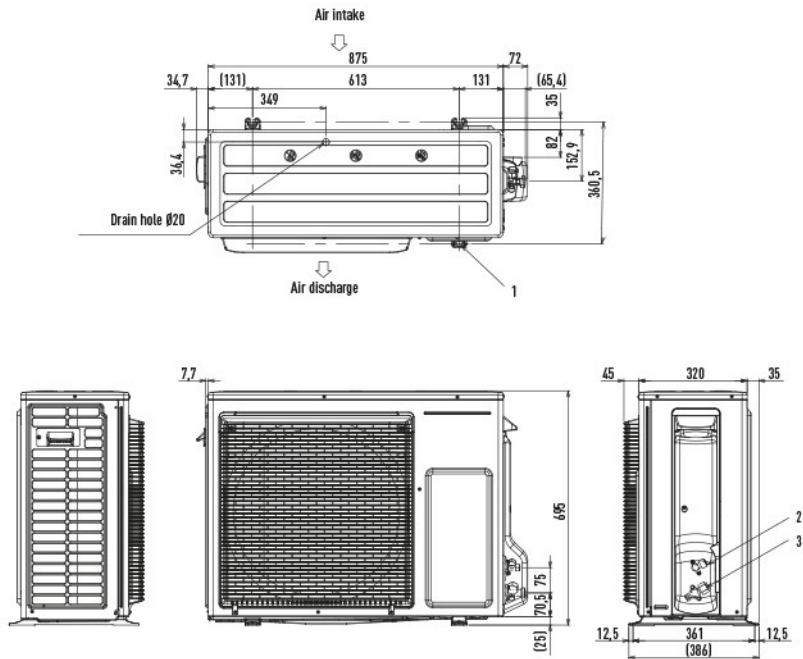
Type	S-3650PK4E	S-6010PK4E
1 Refrigerant piping (liquid)	Ø6,35 (flared)	Ø9,52 (flared) <sup>1)</sup>
2 Refrigerant piping (gas)	Ø12,70 (flared)	60: Ø15,88 (flared) <sup>2)</sup> 71: Ø15,88 (flared) 100: Ø15,88 (flared)
3 Drain hose		
4 Rear panel		
5 Rear panel fixing holes (Ø5,3 holes or as shown in figure "C")		
6 Piping and wiring holes (Ø80)		

1) When connecting with U-60PZ3E5, U-71PZ3E5 or U-60PZH3E5, connect the liquid socket piping (Ø9,52 - Ø6,35) to the liquid piping side indoor unit.  
2) When connecting with U-60PZ3E5 or U-60PZH3E5, connect the gas socket piping (Ø15,88 - Ø12,7) to the gas piping side indoor unit.

Unit: mm

Dimensions

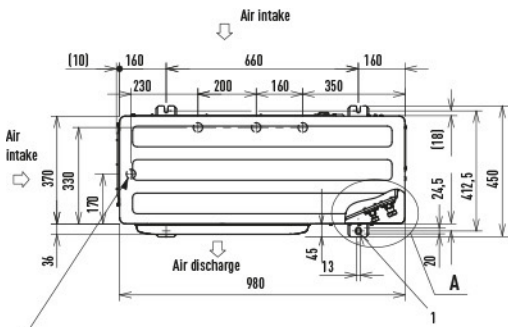
PACi NX Series Elite outdoor units from 3,6 to 6,0 kW.



- 1 Mounting hole (4-R6,5), anchor bolt: M10
- 2 Refrigerant piping (liquid), Ø6,35 (flared)
- 3 Refrigerant piping (gas), Ø12,70 (flared). U-71PZ3E5, Ø15,88 (flared)

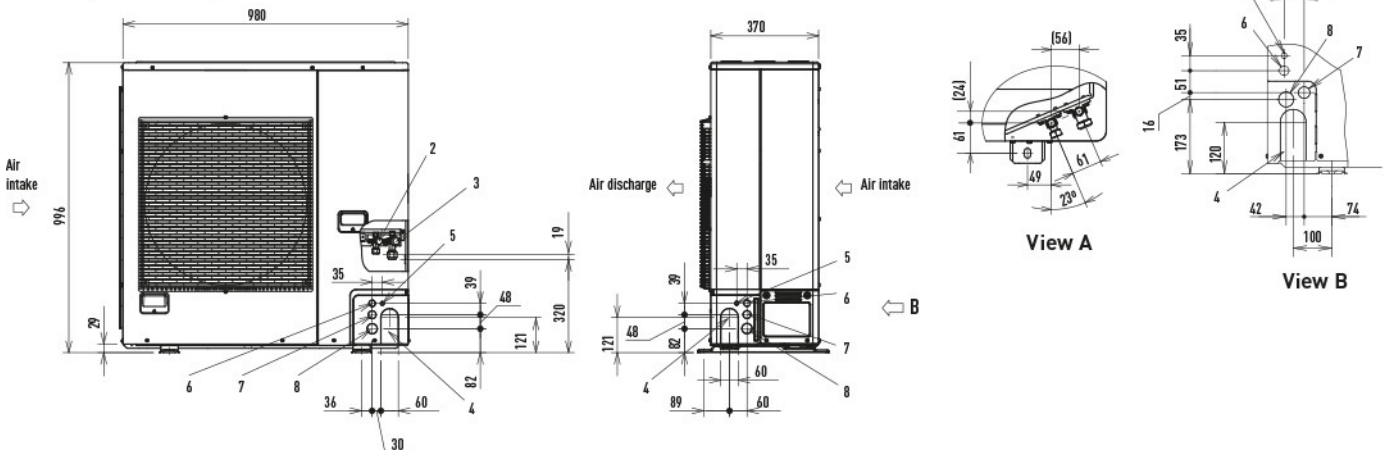
Unit: mm

PACi NX Series Elite outdoor units from 7,1 kW to 10,0 kW.



- 1 Mounting hole, anchor bolt: M10
- 2 Refrigerant piping (liquid), Ø9,52 (flared)
- 3 Refrigerant piping (gas), Ø15,88 (flared)
- 4 Refrigerant piping hole
- 5 Electrical wiring port (Ø13)
- 6 Electrical wiring port (Ø22)
- 7 Electrical wiring port (Ø27)
- 8 Electrical wiring port (Ø35)

4xØ32 holes (holes for drain). When using a drain pipe, install the drain socket (field supply) on to the drain port. Seal the other drain port with the rubber cap.



Unit: mm



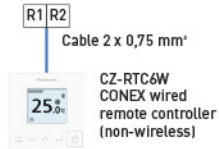
Wiring diagrams

PACi NX wall-mounted kits 1x1

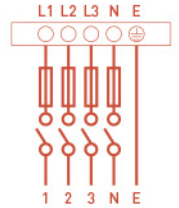
Indoor unit



Outdoor unit



Single phase  
Power supply  
230 V / 50 Hz / \*



Three phase  
Power supply  
3 x 400 V / 1 N - 50 Hz / \*\*

Single phase

Indoor unit	Connection indoor / outdoor	Outdoor unit	Power supply	Circuit breaker*
S-3650PK3E	4 x 1,5 mm <sup>2</sup>	U-36PZH3E5		20 A
S-3650PK3E	4 x 1,5 mm <sup>2</sup>	U-50PZH3E5		20 A
S-6010PK3E	4 x 1,5 mm <sup>2</sup>	U-60PZH3E5	220 / 230 / 240V	25 A
S-6010PK3E	4 x 2,5 mm <sup>2</sup>	U-71PZH4E5		25 A
S-6010PK3E	4 x 2,5 mm <sup>2</sup>	U-100PZH4E5		35 A

Three phase

Indoor unit	Connection indoor / outdoor	Outdoor unit	Power supply	Circuit breaker**
S-6010PK3E	4 x 2,5 mm <sup>2</sup>	U-71PZH4E8	380 / 400 / 415V	16 A
S-6010PK3E	4 x 2,5 mm <sup>2</sup>	U-100PZH4E8		16 A